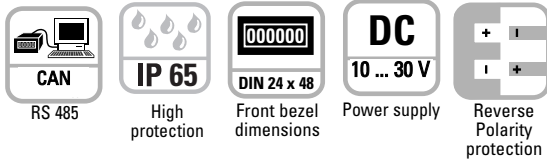


## LED CAN Display – Codix 538



### Powerful

- **LED display**  
Very bright, 8 mm high
- **Floating decimal point**, up to 5 places
- **Factor + Offset**
- **Protection IP65** from the front
- **Reverse polarity protection**
- **Read-in value can be scaled using factor and offset**



### Compact

- **DIN panel-mount housing** 48 x 24 mm
- **Minimal installation depth** just 59 mm

### Communicative

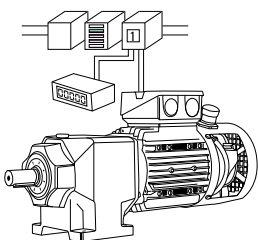
- **CAN specification**  
2.0A/2.0B
- **CANopen compliant**
- **Segments can be written to directly**
- **Automatic baud rate recognition**  
up to 1Mbit/s
- **16 node numbers**  
set via rotary switches
- **Automatic Operational Mode**  
CAN encoders can be read out directly

### Technical data:

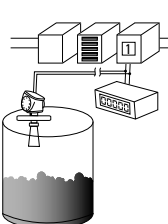
Supply voltage:	10 ... 30 V DC, with reverse polarity protection	Housing:	dimensions 48 x 24 mm [1.89 x 0.945"] according to DIN 43 700; RAL 7021, grey
Power consumption:	< 2 W	Ambient temperature:	0 ... +50 °C [32 ... 122 °F], non-condensing
Display:	6 digit red 7-segment LED; 8 mm [0.315"] high	Storage temperature:	-20 ... +70 °C [-4 ... 158 °F]
CAN-Bus:	CAN specification 2.0A/2.0B, CANopen compliant, transfer rate up to 1Mbaud,	Connection:	screw terminals RM 5.08 mm
Bus termination:	no bus termination	EMC:	Emitted interference: EN55011 Class B Immunity to interference: EN61000-6-2
Galvanic isolation:	no	Protection:	IP65 front side
Node numbers:	16 node numbers set via rotary switches	Weight:	approx. 50 g [1.764 oz]
Data backup:	EEPROM		

### Application areas:

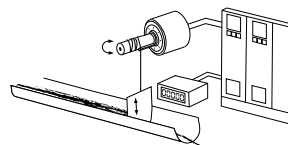
- Production equipment
- Filling and packaging machines
- Woodworking machines
- Monitoring equipment



Rotary speed and  
Position measurement

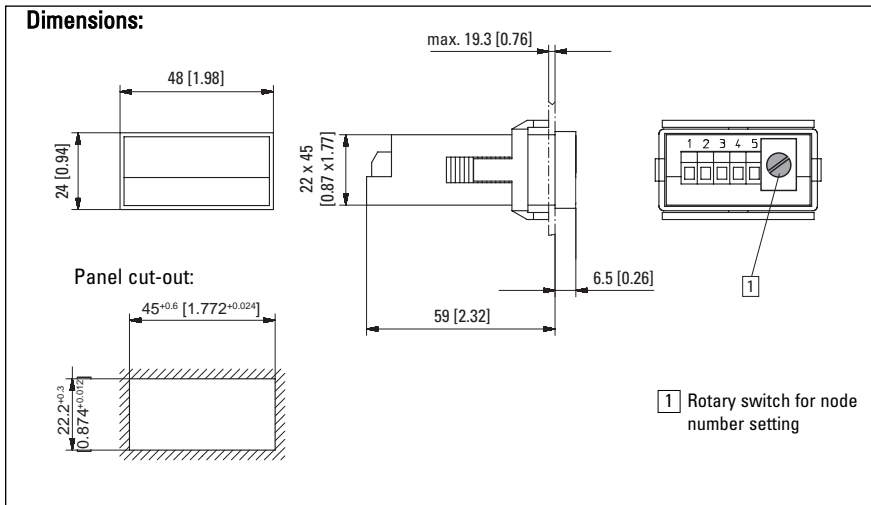


Level and Flow



Volume, Weight

## LED CAN Display – Codix 538



**Connections:**

- 1 10 ... 30 V DC
- 2 0 V GND
- 3 CAN A
- 4 CAN L
- 5 CAN H



**Delivery specifications:**

- 1 Digital display
- 1 Gasket
- 1 Panel mounting clip
- 1 Multilingual operating instruction and EDS file

**Order code:**

6.538.012.3C1