

DIN Formate Timers – H 57



Product features

- 7- or 8-digit hour meter
- High shock and impact resistance
- Without reset, small dimensions
- Large optical figures
- Protection IP 52, suitable for any mounting position
- UL-approval



Your benefit

- **5 years warranty*** – high reliability means your end product sells better
- Data retention if power is lost
- Long service life

Applications

general time counting, service intervals for measuring devices (respiratory ventilators, oxygen machines, dialysis machines), small appliances, UV lamps, display panels in vehicles

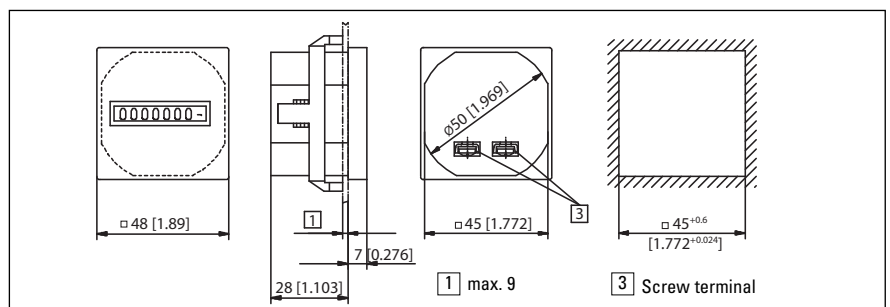
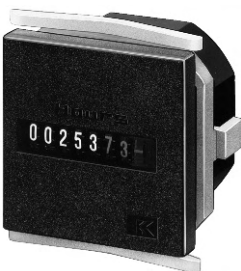
* subject to use in accordance with the technical data

Technical data:

Electrical connection:	screw terminal for cable diameter up to 2.5 mm ² [1612.9 square inch] tightening torque max. 0.8 Nm	
Power consumption:	10 ... 30 V DC:	approx. 500 mW
	100 ... 130 V DC:	approx. 750 mW
	20 ... 30 V AC, 50 Hz:	approx. 0.3 VA
	42 ... 48 V AC, 50 Hz:	approx. 0.25 VA
	100 ... 130 V AC, 50 Hz:	approx. 0.6 VA
	187 ... 264 V AC, 50 Hz:	approx. 1.2 VA
Rated voltages:	360 ... 440 V AC, 50 Hz:	approx. 1.65 VA
	20...30/42...48/100...130/187...264/360...440 V AC, 50 or 60 Hz, 10...30/100...130 V DC	
On time:	100 %	
Display:	7 for AC 99999.99	
	8 for DC 999999.99	
Accuracy:	AC: Supply frequency + 30 ms	
	DC: < 0.003 % (24 h)	
Count mode:	adding	
Height of figures:	4 mm [0.158"]	
Colour of figures:	white and red on black	
Ambient temperature:	-15 ... +50°C [5 ... 122 °F]	
Mounting position:	any	
Protection:	up to IP 52, DIN 40 050 front side	
Housing:	plastic	

Weight:	H 57: 48 g [1.673 oz]; AH 57: 84 g [2.963"]
	base mount socket No. 48: 36 g [1.27"]
	slip-on bezel 55 8 g [0.282"]
	slip-on bezel 72 13 g [0.459"]
Operating indicator of the running time meter:	
AC:	fast rotating wheel with red dashes
DC:	1/100 h display turns continuously by 1 digit in 36 s
Test voltage:	2000 V AC , 50 Hz for AC counters
Options:	further voltages on request
Counter with wire entry from behind, screw fixing from rear.	
	Art-No. 3.228.401.XXX.044
Colour of housing:	grey:
	Art-No. 3.22X.400.XXX
Flat pin	0.8 x 6.3 mm [0.032 x 0.248"]
	Art-No. 3.228.401.XXX
Welded cover	(IP 65 from front)
IP 65 version:	order code: 3.22X.XXX.XXX.422
Seals required between the counter and the bezel:	
H 57:	N.511.018
H 57.55:	N.511.018 + N.511.017
H 57.72:	N.511.018 + N.511.016
(with the IP 65 version, the seal is included in the delivery)	
Approvals:	UL for USA and Canada E128604
	the version 360 ... 440 V AC
	is not UL listed

H 57



Voltage	Art-No. (AC), 50 Hz	Art-No. (AC), 60 Hz	Art-No. (V DC)
10 ... 30			3.220.401.351*
20 ... 30	3.220.401.071*	3.220.401.081*	
42 ... 48	3.220.401.072	3.220.401.082	
100 ... 130	3.220.401.074*	3.220.401.084*	3.220.401.381
187 ... 264	3.220.401.075*	3.220.401.085*	
360 ... 440	3.220.401.079	3.220.401.089	

*standard stock model

Further standard stock models:
 3.220.401.075.422 187 ... 264 V AC, IP 65
 3.220.401.351.422 10 ... 30 V DC, IP 65