

Time Preset Counters – HVa 15



- 5-digit presetable hour meter
- Manual reset
- High shock resistance
- Magnified figures
- Protection IP 42 (front)
- Data retention if power is lost
- Long service life

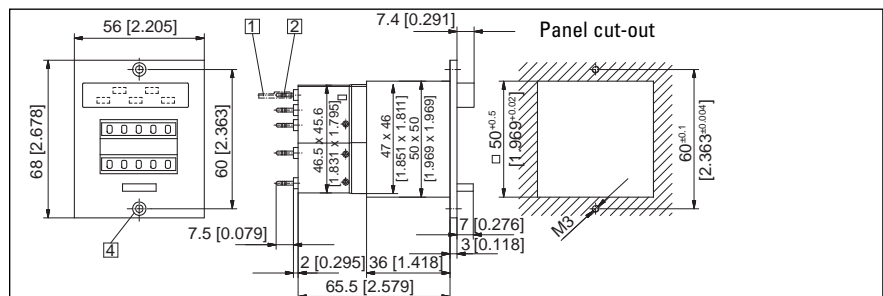
Applications:

general counting, service interval for measurement systems (respiratory ventilators, oxygen machines, dialysis machines), small appliances, UV lamps, display panels in cars.

Technical data:

Electrical connection:	tin-plated round pins \varnothing 1.6 mm [0.063"], with push on connectors	Colour of housing:	black, grey on request
Power consumption:	10 ... 30 V DC: approx. 0.5 W 36 ... 80 V DC: approx. 0.9 W 100 ... 130 V DC: approx. 0.75 W 20 ... 30 V AC, 50 Hz: approx. 0.3 VA 42 ... 48 V AC, 50 Hz: approx. 0.25 VA 100 ... 130 V AC, 50 Hz: approx. 0.6 VA 187 ... 264 V AC, 50 Hz: approx. 1.2 VA 360 ... 440 V AC, 50 Hz: approx. 1.65 VA	Switching contact:	1 changeover contact (Micro switch) release at the preset time loading capacity at AC: max.250 V, max 2 A loading capacity at DC (ohmic load): 24 V max. 2.0 A 60 V max. 0.7 A 115 V max. 0.4 A 230 V max. 0.2 A
Rated voltages:	20 ... 30/42 ... 48/100 ... 130/187 ... 264, 360 V AC 50 or 60 Hz, 10 ... 30/36 ... 80/100 ... 130 V DC	Options:	knob-locking 0-reset
Range:	at AC: 999.99 h at DC: 9999.9 h	Housing:	black: Art. no. 3.30X.X17.XXX grey: Art. no. 3.30X.X16.XXX
On time:	100 %	Housing:	HVa 15.01 (without front bezel) pluggable in socket box 946.1 DIN Rail mount SR 3 black: Art. no. 3.300.001.XXX beige: Art. no. 3.300.012.XXX
Count mode:	adding	Test voltage:	2000 V AC, 50 Hz for AC
Colour of figures:	hour: white on black, 1/10 and 1/100 h: red on white preset: app. 4mm [0.158"] high Hour: yellow on black 1/10 and 1/100 h: red on white	Sealing:	oil and gasoline-resistant synthetic rubber, particularly suitable for use with acids and alkalis, very good age stability.
Reset:	manual	Accessories:	socket box 946.1 Art. no. G.008.439
Ambient temperature:	-15 ... +50 °C [5 ... 122 °F]	Front frame:	black: Art. no. G.007.504 beige: Art. no. G.007.503
Mounting position:	any		
Protection:	IP 42 front side, sealing cover K1: IP 54 front side clear cover Dv and Dvs: IP 55 front side		

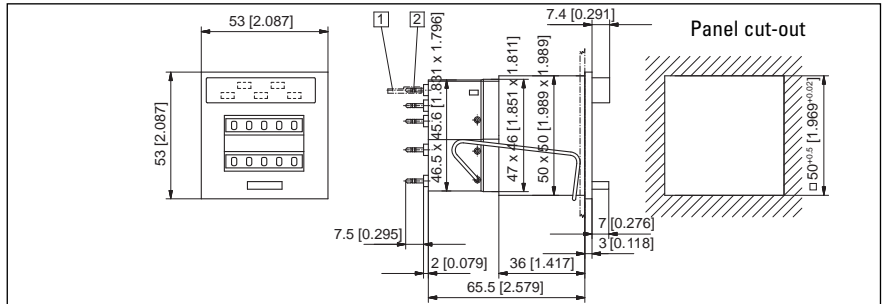
HVa 15.11



Voltage	Art-No. (AC), 50 Hz	Art-No. (AC), 60 Hz	Art-No. (V DC)	
10 ... 30			3.300.111.351	1 Tin plated push on connector
20 ... 30	3.300.111.071	3.300.111.081		2 Round pin \varnothing 1.5 [0.059"] tin plated
36 ... 80			3.300.111.353	4 Countersunk A134 DIN 74
42 ... 48	3.300.111.072	3.300.111.082		
100 ... 130	3.300.111.074	3.300.111.084	3.300.111.381	
187 ... 264	3.300.111.075	3.300.111.085		
360 ... 440	3.300.111.079	3.300.111.089		

Time Preset Counters – HVa 15

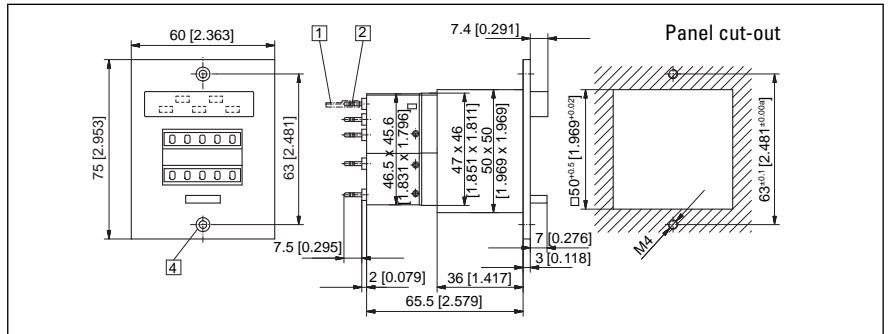
HVa 15.21



Voltage	Art-No. (AC), 50 Hz	Art-No. (AC), 60 Hz	Art-No. (V DC)
10 ... 30			3.300.211.351
20 ... 30	3.300.211.071	3.300.211.081	
36 ... 80			3.300.211.353
42 ... 48	3.300.211.072	3.300.211.082	
100 ... 130	3.300.211.074	3.300.211.084	3.300.211.381
187 ... 264	3.300.211.075	3.300.211.085	
360 ... 440	3.300.211.079	3.300.211.089	

- 1 Tin plated push on connector \varnothing 1.5 [0.059"]
- 2 Tin plated round pin \varnothing 1.5 [0.059"]

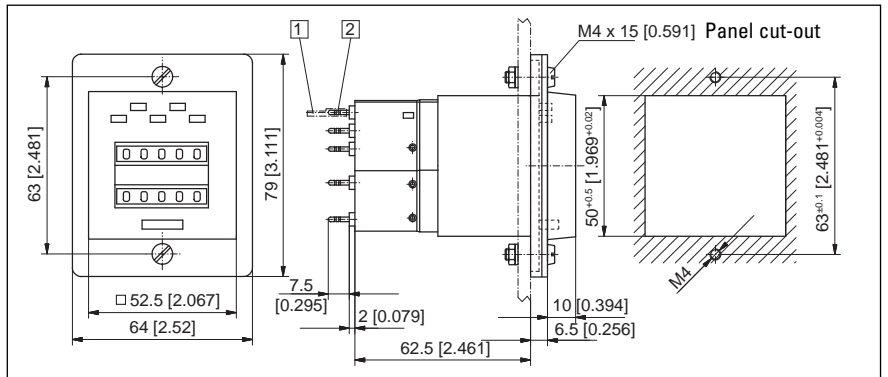
HVa 15.31



Voltage	Art-No. (AC), 50 Hz	Art-No. (AC), 60 Hz	Art-No. (V DC)
10 ... 30			3.300.311.351
20 ... 30	3.300.311.071	3.300.311.081	
36 ... 80			3.300.311.353
42 ... 48	3.300.311.072	3.300.311.082	
100 ... 130	3.300.311.074	3.300.311.084	3.300.311.381
187 ... 264	3.300.311.075	3.300.311.085	
360 ... 440	3.300.311.079	3.300.311.089	

- 1 Tin plated push on connector \varnothing 1.5 [0.059"]
- 2 Tin plated round pin \varnothing 1.5 [0.059"]
- 4 Countersunk Af3 DIN 74

K2 HVa 15.31

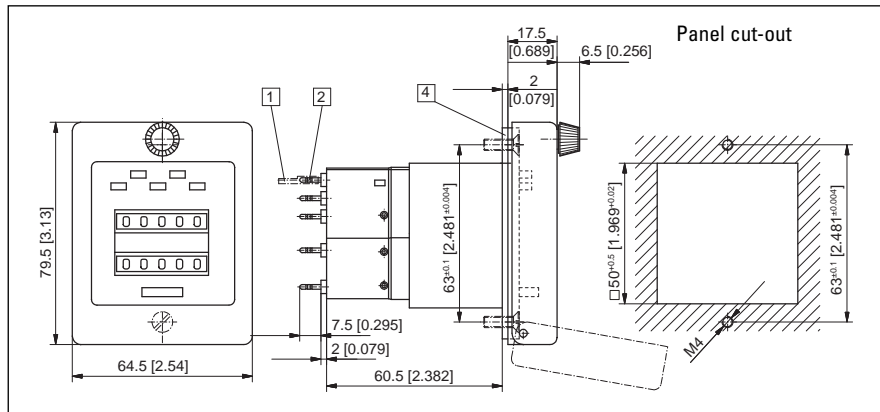
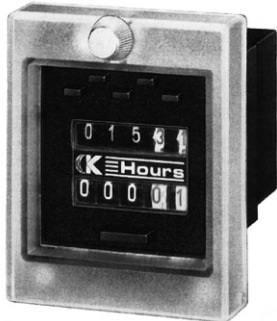


Voltage	Art-No. (AC), 50 Hz	Art-No. (AC), 60 Hz	Art-No. (V DC)
10 ... 30			3.300.611.351
20 ... 30	3.300.611.071	3.300.611.081	
36 ... 80			3.300.611.353
42 ... 48	3.300.611.072	3.300.611.082	
100 ... 130	3.300.611.074	3.300.611.084	3.300.611.381
187 ... 264	3.300.611.075	3.300.611.085	
360 ... 440	3.300.611.079	3.300.611.089	

- 1 Tin plated push on connector \varnothing 1.5 [0.059"]
- 2 Tin plated round pin \varnothing 1.5 [0.059"]

Time Preset Counters – HVa 15

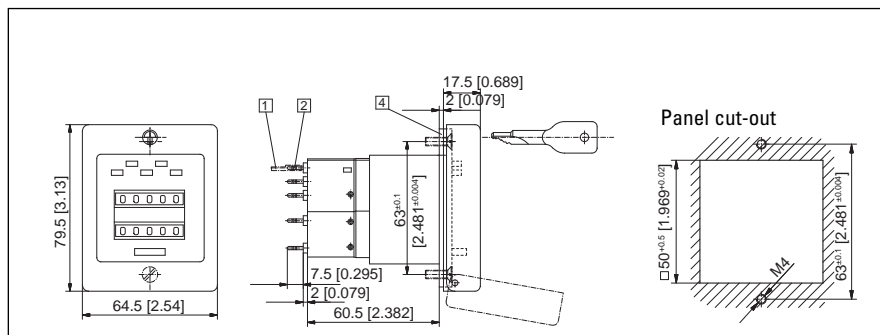
Dv HVa 15.31
(knob locking cover)



Voltage	Art-No. (AC), 50 Hz	Art-No. (AC), 60 Hz	Art-No. (V DC)
10 ... 30			3.300.711.351
20 ... 30	3.300.711.071	3.300.711.081	
36 ... 80			3.300.711.353
42 ... 48	3.300.711.072	3.300.711.082	
100 ... 130	3.300.711.074	3.300.711.084	3.300.711.381
187 ... 264	3.300.711.075	3.300.711.085	
360 ... 440	3.300.711.079	3.300.711.089	

- 1 Tin plated push on connector \varnothing 1.5 [0.059"]
- 2 Tin plated round pin \varnothing 1.5 [0.059"]
- 4 Gasket

Dvs HVa 15.31
(locking transparent cover)



Voltage	Art-No. (AC), 50 Hz	Art-No. (AC), 60 Hz	Art-No. (V DC)
10 ... 30			3.300.811.351
20 ... 30	3.300.811.071	3.300.811.081	
36 ... 80			3.300.811.353
42 ... 48	3.300.811.072	3.300.811.082	
100 ... 130	3.300.811.074	3.300.811.084	3.300.811.381
187 ... 264	3.300.811.075	3.300.811.085	
360 ... 440	3.300.811.079	3.300.811.089	

- 1 Tin plated push on connector \varnothing 1.5 [0.059"]
- 2 Tin plated round pin \varnothing 1.5 [0.059"]
- 4 Gasket

Wiring diagrams:

