

LCD Time Modules – 194

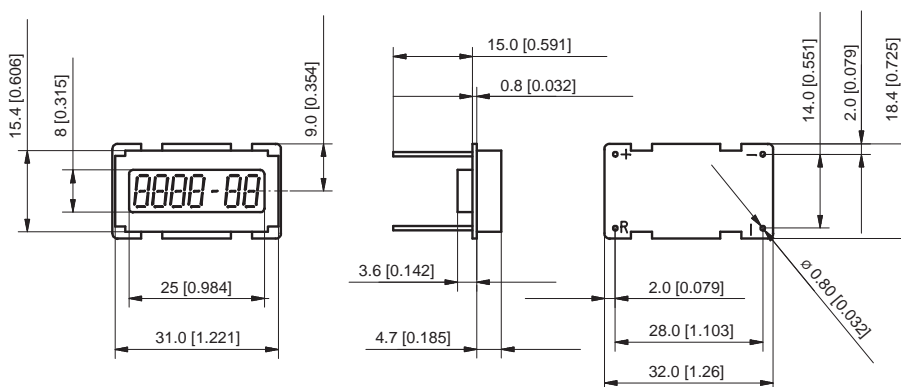


- 6-digit display, 6 mm [0.236"] height
- Time range 9999-99 hours
- Wide operating voltage and temperature range
- High reliability
- Low cost and small size
- Low operating current
- Very high shock and vibration specs

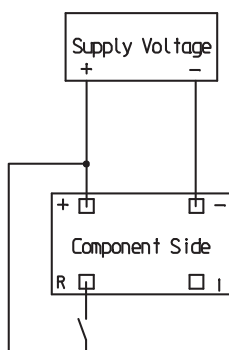
Technical data:

| | | | |
|--------------------------------------|----------------------------------------------------------------------------------|-----------------------------------------------------------------------------|-------------------------------------------------------------------------------|
| Supply: | 1. 4.75 ... 15 V DC 2. 9 ... 60 V DC reverse polarity protection | Working temperature: | -20 ... + 80 °C [-40 ... 176 °F] |
| Current consumption: | 1. 8 mA at 4.75 ... 15 V DC 2. 6 mA at 9 ... 60 V DC | Operating temperature: | -40 ... + 85 °C [-40 ... 158 °F] |
| Reset input: | high 4 ... 60 V DC; low: 0 ... 0.7 V DC pulse length min. 1 ms edge triggered | Storage temperature: | -50 ... + 90 °C [-58 ... 194 °F] |
| Display: | 7-digit display, figure height 6 mm [0.236"] | EMC: | Immunity to interference: EN55011 class B Emitted interference EN61000-6-2 |
| Data backup: | EEPROM | Weight: | approx. 8 g [0.282 oz] |
| Housing: | dimension 18 x 33 mm [0.709 x 1.299"] | Memory capacity: | CMOS EEPROM. non-volatile memory has data retention in excess of 10 years |
| Colour: | black | Shock resistance acc. to DIN-IEC 68-2-27: | 550 m/s ² , 11 ms |
| Display: | 9999-99 hours | Vibration resistance acc. to DIN-IEC 68-2-6: | 50 ... 200 m/s ² , 10 ... 80 Hz |
| Measuring error: | max. 4 s | Needs protection from inductive voltage spikes and high-energy interference | |
| Measuring error of the quartz clock: | max. 200 ppm (25 °C) [77 °F] | | |

Dimensions:

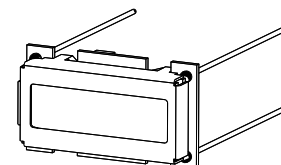


Connecting diagram:



Order code:

LCD Hour Meter Module Type 194:
 4.5 ... 15 V DC: Order-No.: 6.194.012.F00
 Art-No.: 162 137
 9 ... 60 V DC: Order-No.: 6.194.012.G00
 Art-No.: 162 138



Delivery specification:

- LCD Hour Meter Module Type 194
- Operating instructions

LCD Time Modules – 198

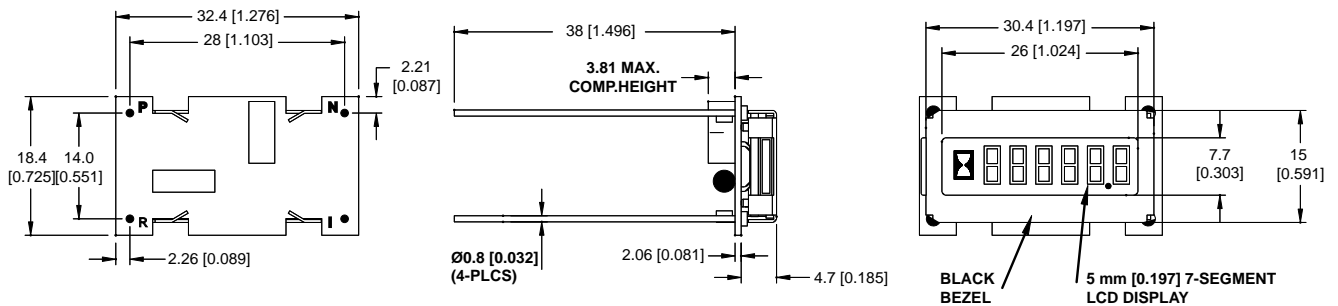


- Non-volatile memory (no battery required to maintain value)
- High reliability
- Low cost and small size
- Low operating current
- Wide operating voltage and temperature range
- Very high shock and vibration resistance
- Solid state electronics
- Run indicator

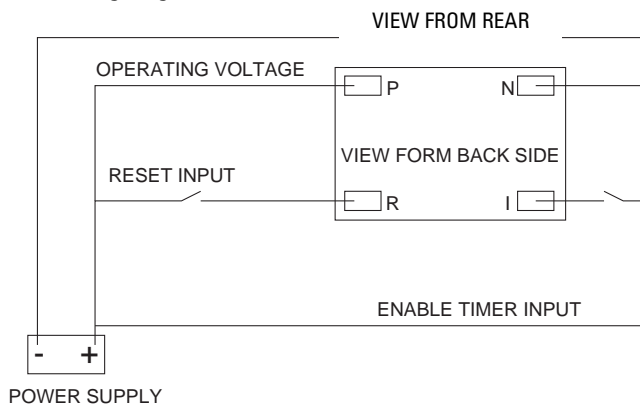
Technical data:

| | | | |
|------------------------|----------------------------------------------|---------------------------|------------------------------------------------------------------------------------------|
| Supply: | 4.5 ... 28 V DC | EMC: | according to EC EMC directive 89/36/EWG |
| Current consumption: | 3 mA maximum at 4.5 V DC 10 mA at 28 V DC | Emitted interference: | EN 61 00-6-3/EN 55011 Class B |
| Start and reset input: | 4.5 ... 28 V DC | Immunity to interference: | EN 6100-6-2 |
| Display: | 6-digit display, figure height 5 mm [0.197"] | Weight: | approx. 8 g [0.282 oz] |
| Data backup: | EEPROM | Memory capacity: | CMOS EEPROM. non-volatile memory has data retention in excess of 10 years without power. |
| Housing: | dimension 15 x 33 mm [0.591 x 1.299"] | Protection from: | inductive switching, alternator load dump |
| Colour: | black | | |
| Operating temperature: | -40 ... +85 °C [-40 ... 185 °F] | | |
| Humidity: | 95 % RH +32 C for 2 hours | | |

Dimensions:

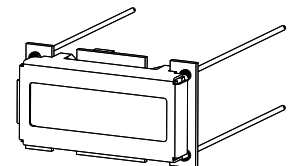


Connecting diagram:



Order code:

LCD Hour Meter Module Type 198:
Order-No.: 6.198.012.300*



Delivery specification:

- LCD Hour Meter Module Type 198
- Operating instructions

* standard stock model