

NEMA FRAME MOTORS • SCR RATED

General Specifications:

High voltage permanent magnet DC motors are typically used with an SCR (thyristor) controller in applications requiring adjustable speed and constant torque throughout the speed range. They are also widely used in applications requiring dynamic braking or adjustable speed/reversing capabilities.



Mechanical Features:

Low profile space-saving design. Unique brush holder design provides easy access to brushes and integral constant pressure brush/spring assembly for servicing. Large oversized brushes assure longer brush life. Heavy-duty, stamped steel, bolt-on base (removable). NEMA C face mounting at no additional cost. Rugged die cast aluminum endshields with cast iron bearing inserts. Permanently lubricated sealed ball bearings. May be converted NEMA 48 base and/or C face using modification kits noted below.

Electrical Features:

Input power of 115 or 230 volts rectified AC when used with an appropriate SCR control. Linear speed/torque characteristics over entire speed range. High starting torque for heavy load applications. Capable of dynamic braking for faster stops. Reversible rotation with simple two-lead connection. For further information on Direct Current Motors, request Bulletin 1600.

PWM RATED PM DC MOTORS

The DC motors listed above have been designed for use on unfiltered SCR (Thyristor) type rectified AC input. These motors may also be used with PWM (pulse width modulated) type DC adjustable speed drives at a higher HP rating. See the chart on page 308 for re-rating data.

TACHOMETER MOUNTING KITS FOR DC MOTORS

All necessary parts to mount listed tachometers to stock TEFC SCR motors. Consists of machined cast fan cover, coupling and hardware. Does not include tachometer. Tach adapter kit is not suitable for catalog number 108502.



Tachometer Type	NEMA Frame	IEC Frame	Catalog Number	List Price	Disc. Sym.	App. Wt. (lbs.)
GE 5PY Series	SS56	71	175156	\$224	A	5
	S56	80	175193	234	A	5
	56/145	—	175158	459	A	5
Servo-tek	SS56	71	175157	236	A	8
SA740 Series	S56	80	175194	248	A	8
	56/145	—	175159	524	A	8

MODIFICATION KITS

Motors with S56C or SS56C frame sizes may be converted to 42/48 C face using the following:

Frame	Catalog No.	List Price	Disc. Sym.
SS56C	175182	\$38	A
S56C	175082 ◇	38	A

DC motors in NEMA S56C frame may be converted to 48 base using the following:

Frame	Catalog No.	List Price	Disc. Sym.
S56C	175080 ◇	\$30	A

TEFC • SCR RATED 90 & 180 VOLTS NEMA 56C • C FACE WITH REMOVABLE BASE^Σ

HP	Full Load RPM	NEMA Frame□	Catalog Number	List Price	Disc. Sym.	App. Wgt. (lbs.)	Arm. Volts DC	Control Volts AC Input	F.L. Amps DC	"C" Dim. (Inches)
1/4	1750	SS56C	098002	\$496	A	19	90	115	2.5	10.81
	1750	SS56C	098003	496	A	22	180	230	1.4	11.31
1/3	1750	SS56C	098004	526	A	23	90	115	3.5	11.31
	1750	SS56C	098005	526	A	23	180	230	1.7	11.31
	1140	S56C	109098	645	A	32	90	115	3.5	12.81
1/2	2500	SS56C	098006	526	A	22	90	115	5.0	10.81
	2500	SS56C	098007	526	A	22	180	230	2.5	10.81
	1750	SS56C	098000	585	A	26	90	115	5.0	11.81
	1750	S56C	108014	614	A	29	90	115	5.0	12.81
	1750	SS56C	098008	585	A	25	180	230	2.5	11.81
	1750	S56C	108015	614	A	30	180	230	2.5	12.81
	1140	S56C	109099	677	A	40	90	115	5.0	13.81
3/4	2500	SS56C	098009	630	A	26	90	115	7.6	11.81
	2500	S56C	108016	662	A	29	90	115	7.6	12.81
	2500	SS56C	098010	630	A	25	180	230	3.8	11.81
	2500	S56C	108017	662	A	29	180	230	3.8	12.81
	1750	SS56C	098032	711	A	36	90	115	7.6	13.81
	1750	S56C	108018	747	A	38	90	115	7.6	13.81
	1750	SS56C	098069	711	A	36	180	230	3.8	13.81
	1750	S56C	108019	747	A	35	180	230	3.8	13.81
	1140	S56C	109100	915	A	49	90	115	7.5	16.81
	1	2500	S56C	108020	711	A	34	90	115	10.0
2500		S56C	108021	711	A	38	180	230	5.0	13.81
1750		S56C	108022	869	A	47	90	115	10.0	16.31
1750		S56C	108023	869	A	39	180	230	5.0	14.81
1 1/2	1140	S56C	128023	1733	B	82	90	115	11.0	18.34
	2500	S56C	108265	1053	A	43	180	230	7.5	14.81
	1750	S56C	108092	1086	A	53	180	230	7.6	16.88
2	1750	S56/145TC	108262 ■	1086	A	54	180	230	7.6	17.38
	1750	145TC	128000	1649	B	70	180	230	7.5	18.34
	2500	S56/145TC	108266 ■	1649	A	51	180	230	8.6	16.88
	1750	145TC	128010	1968	B	83	180	230	9.5	19.34
3	1750	182/145TC	128001 ◀	1968	B	84	180	230	9.5	19.34
	1750	182/145TC	108502 ◀	2742	B	88	180	230	14.0	21.75

Σ If base is removed, do not reinstall bolts without using washers to compensate for thickness of base.

◀ NEMA 145TC face mounting with removable NEMA 182T rigid base.

■ NEMA 145TC frame shaft 7/8" x 2 1/4" and NEMA 56 removable base.

□ SS56C motors have a 4.88 inch diameter frame. S56C motors have a 5.61 inch diameter frame.



TEFC • SCR RATED 90 & 180 VOLTS NEMA 56C • C FACE LESS BASE*

HP	Full Load RPM	NEMA Frame	Catalog Number	List Price	Disc. Sym.	App. Wgt. (lbs.)	Arm. Volts DC	Control Volts AC Input	F.L. Amps DC	"C" Dim. (Inches)
1/4	1750	SS56C	098377	\$479	A	19	90	115	2.5	10.81
1/3	1750	SS56C	098378	510	A	23	90	115	3.5	11.31
1/2	1750	SS56C	098379	568	A	29	90	115	5.0	11.81
3/4	1750	SS56C	098380	693	A	38	90	115	7.6	13.81
1	1750	S56C	109096	851	A	47	90	115	10.0	16.31
	1750	S56C	109097	851	A	39	180	230	5.0	14.81

* No tapped holes provided for attaching a bolt-on base.

◇ Addition of base kit will result in non-NEMA BA dimension of 2 3/4". Addition of C face kit will result in conduit box located at 1 o'clock facing lead end.



DC MOTORS

EXPLOSION-PROOF AND WASHGUARD • SCR RATED

DC Motors

NEMA FRAME • EXPLOSION-PROOF FOR HAZARDOUS LOCATIONS

General Specifications:

These explosion-proof motors are designed and approved for application in hazardous environments having certain explosive gases or materials present.



Features:

Rugged mechanical construction meeting all requirements for safety. UL and CSA listed. NEMA 56C face with removable 56 frame base. Leads exit through 3/4"-14NPT pipe-nipple in the top of the motor frame, opposite the shaft end. **Conduit box is not provided.** See optional conduit box below. These motors have pilot-duty thermostats as standard that must be connected to the SCR control. They are rated for continuous duty with full wave SCR (thyristor) controls. Double-shielded, pre-lubricated ball bearings are standard. Easy brush access for field service. These motors are UL and CSA listed.

Application Notes:

These motors must be applied in accordance with the National Electrical Code, Article #500. For a listing of explosive agents, consult NFPA Publication 497M.

EXPLOSION-PROOF • CLASS I, GROUPS C & D - CLASS II, GROUPS F & G • SCR RATED 90 & 180V C FACE WITH REMOVABLE BASE

HP	Full Load RPM	NEMA Frame	Catalog Number	List Price	Disc. Sym.	App. Wgt. (lbs.)	Arm. Volts DC	Control Volts AC Input	F.L. Amps DC	"C" Dim. (Inches)
1/3	1750	S56C	118015	\$1904	A	27	90	115	3.5	13.41
	1750	S56C	118016	2151	A	30	90	115	4.7	14.41
1/2	1750	S56C	118017	2151	A	32	180	230	2.5	14.41
	1750	S56C	118018	2663	A	40	90	115	7.1	16.41
3/4	1750	S56C	118019	2663	A	36	180	230	3.3	16.41

EXPLOSION-PROOF CONDUIT BOX

UL and CSA listed for Class I, Group C & D, and Class II, Groups F & G locations. Has grounding screw and all hardware provided. Mounts to motor by 3/4"-14NPT opening at rear of box. For NEMA 56 frame motors only.



Catalog Number	List Price	Disc. Sym.	App. Wgt. (lbs.)
175026	\$83	A	2

NEMA FRAME • WASHGUARD

LEESON WASHGUARD

motors are designed for extended life in applications requiring regular washdown as in food processing, or otherwise wet, high humidity environments. WASHGUARD motors retard the entrance of water during cleaning operations and release any water that does enter the motor. Extra protection for the motor's interior prevents rust and corrosion build-up and drains release trapped moisture to insure a longer life than possible with a standard motor.



Mechanical Protection Features:

High quality, corrosion resistant 303 stainless steel shaft plus lubricated spring-loaded contact seals and patented "V" ring Forsheda seal deflect water, protect bearings and the motor's interior. Double sealed, oversized bearings with high temperature moisture resistant lubricant are used.

Frame, base, endshields, armature and interior components protected by enamel and polyester compounds of outstanding adhesion and resistance to moisture, acids, alkalies and oil.

Cast conduit box with threaded entrance, drain holes and tough, high temperature Nitrile gaskets keep water out and resist deflection under high pressure washdowns. Conduit box cover and fan cover, when used, are type 304 stainless steel.

Four drains in each endshield at 3,6,9, and 12 o'clock purge water, and can be repositioned for maximum effectiveness regardless of the motor's mounting. Machined fits are sealed, and nylon gaskets are used to seal bolt heads. Stainless steel data plate.

Chemically inert static free fan is positively positioned on the shaft by opposing flats, shoulder and snap ring arrangement and protected by heavy gauge, stainless steel fan guards. Finished in USDA approved tough white epoxy for superior corrosion resistance and protection against harsh caustic cleaning solutions.

WASHGUARD • NEMA C FACE • REMOVABLE BASE TENV • SCR RATED 90 & 180 VOLTS

HP	Full Load RPM	NEMA Frame	Catalog Number	List Price	Disc. Sym.	App. Wgt. (lbs.)	Arm. Volts DC	Control Volts AC Input	F.L. Amps DC	"C" Dim. (Inches)
1/4	1750	S56C	108423	\$636	A	23	90	115	2.7	10.69
	1750	SS56C	098375	636	A	21	180	230	1.4	10.22
1/3	1750	S56C	108424	673	A	26	90	115	3.5	11.69
	1750	SS56C	098376	673	A	22	180	230	1.7	10.22
1/2	1750	S56C	108226	754	A	38	90	115	4.9	13.69
	1750	S56C	108227	754	A	43	180	230	2.4	13.69
3/4	1750	S56C	108228	915	A	53	90	115	7.0	15.69
	1750	S56C	108229	915	A	50	180	230	3.5	15.69
1	1750	S56C	108230**	1116	A	45	90	115	10.0	15.81
	1750	S56C	108231**	1116	A	42	180	230	5.0	14.81
1 1/2	1750	S56C	108232**	1425	A	50	180	230	7.6	16.81

WASHGUARD • IEC FRAME • TENV IP55 B5 FLANGE WITH REMOVABLE B3 BASE SCR RATED 180 VOLTS

Rated HP	Output kW	Full Load RPM	IEC Frame	Catalog Number	List Price	Disc. Sym.	App. Wgt. (lbs.)	Arm. Volts DC	F.L. Amps DC	"C" Dim. (Inches)
1/2	.37	1750	71	098040	\$667	A	22	180	2.5	10.69
3/4	.55	1750	80	108407	904	A	52	180	3.5	16.02

** These motors are totally enclosed fan cooled.

⌚ If base is removed, do not reinstall bolts without using washers to compensate for the thickness of base.

▲ These WASHGUARD motors are modular design but stocked with B5 flange and B3 foot. The foot is removable. The B5 flange can be replaced with a B14 face or other diameter B5 flanges noted on page 85.

SUB-FHP MOTORS

General Specifications:

Precision subfractional horsepower DC permanent magnet motors designed for use with full wave non-filtered SCR controls for adjustable speed applications requiring dynamic braking and constant torque throughout the speed range.



31/34 Frame

Mechanical Features:

Compact space saving designs. Ball bearings. Long-life brushes for demanding applications. Brushes easily replaced without disassembly of the motor. Standard mounted conduit box on 31 and 34 frame models simplifies connections.



25 Frame

Electrical Features:

Continuous duty with full wave un-filtered rectified SCR (thyristor) controls. Linear speed torque characteristics throughout the speed range. High starting torques. Reversible rotation from a simple two lead connection.

SUB-FHP IP55 WASHGUARD MOTORS

General Specifications:

Precision subfractional horsepower DC permanent magnet motors. Designed for use with fullwave non-filtered SCR controls or battery supplied low voltage for adjustable speed applications requiring constant torque throughout the speed range.



Mechanical Features:

Corrosion resistant 303 stainless steel. Shaft with spring-loaded contact shaft seal protect the double sealed ball bearings and motor interior.

Frame, endshields, armature and interior components protected by enamel and polyester compounds for resistance to moisture, acids, alkalies and oil.

Cast conduit box with threaded conduit holes and Nitrile gaskets keep water out. The conduit box cover is made from 304 stainless steel.

For any condensation that may accumulate inside the motor a one-way stainless steel vapor vent is provided. All hardware is stainless steel. Motor painted with white epoxy for superior corrosion resistance and protection. Gaskets seal conduit box to motor frame and conduit box cover. Thru-bolt heads and nuts sealed with fiber washers. O-rings under each threaded brush cover.

Application Notes:

LEESON WASHGUARD motors are designed for extended life in applications requiring regular washdown or otherwise wet environments. Washguard motors retard the entrance of water. Extra protection for the motor's interior prevents rust and corrosion build-up and releases trapped moisture to insure a longer life than possible with a standard motor.

SCR RATED (90 & 180 V) • TENV • SQUARE FLANGE OR C FACE

HP	Full Load RPM	Frame	Catalog Number	List Price	Disc. Sym.	Arm. Volts DC	Control Volts AC Input	F.L. Amps DC
1/25	3500	25AS	M1110014 [Ⓟ]	\$221	S	3	90	115 0.5
	1750	25CS	M1110003 [Ⓟ]	230	S	3	90	115 0.5
1/15	3500	25CS	M1110015	238	S	5	90	115 0.7
	1750	31BS	M1120013 [Ⓟ]	246	S	5	90	115 0.8
	1750	31BS	M1120039	246	S	7	180	230 0.4
1/10	3500	31BS	M1120060	246	S	5	90	115 1.3
	1750	31CS	M1120014	292	S	7	90	115 1.1
	1750	31CS	M1120041	292	S	7	180	230 0.6
1/8	3500	31CS	M1120059	292	S	6	90	115 1.5
	1750	31ES	M1120027	315	S	7	90	115 1.3
	1750	31ES	M1120045	315	S	7	180	230 0.7
	1750	34D42CZ	M1130053	327	S	8	90	115 1.4
	1750	34D42CZ	M1130118	327	S	7	180	230 0.7
1/6	3500	31ES	M1120058	315	S	9	90	115 1.9
	1750	31GS	M1120042	318	S	9	90	115 1.8
	1750	31GS	M1120043	318	S	11	180	230 0.9
	1750	34E56C	M1130054	334	S	11	90	115 1.7
	1750	34E56C	M1130119	334	S	11	180	230 0.9
1/4	3500	31GS	M1120062	333	S	9	90	115 2.6
	1750	34G56C	M1130055**	345	S	13	90	115 2.7
	1750	34G56C	M1130120**	345	S	13	180	230 1.3

[Ⓟ] 25 frame motors have provisions for an optional conduit box catalog number M1760000, see page 107.
** These motors are totally enclosed fan cooled.

SCR RATED (90 V) • TENV • SQUARE FLANGE OR C FACE

HP	Full Load RPM	Frame	Catalog Number	List Price	Disc. Sym.	Arm. Volts DC	Control Volts AC Input	F.L. Amps DC
1/8	1750	31S	M1120181	\$395	S	90	115	1.5
1/6	1750	31S	M1120183	400	S	90	115	1.9
1/4	2500	32F42CZ	M1120185	435	S	90	115	1.9

LOW VOLTAGE (12 V) • TENV SQUARE FLANGE OR C FACE

HP	Full Load RPM	Frame	Catalog Number	List Price	Disc. Sym.	Arm. Volts DC	F.L. Amps DC
1/8	1750	31S	M1120182	\$411	S	12	10.5
1/6	1750	31S	M1120184	417	S	12	14.5
1/4	2500	32F42CZ	M1120186	453	S	12	20



DC MOTORS

METRIC (IEC) FRAME • SCR RATED

DC Motors

DC METRIC (IEC) FRAME MOTORS IP54

General Specifications:

These metric dimensioned motors are built to IEC 34-1 electrical and mechanical standards.

The IEC 63 and smaller frames are stocked with an integral B5 flange or B14 face less base. An optional B3 rigid base kit is available.

A unique modular approach for IEC 71 frame and larger allows the motor to be field modified to B3 rigid base mounted construction, B5 flange mounted or B14 face mounted construction using conversion kits. Please note that one or more of the mounting kits must be used with IEC motors of these frame sizes. See listing on next page for B5 flange and B14 face kits. B3 rigid base kits are listed below.

Electrical & Mechanical Features:

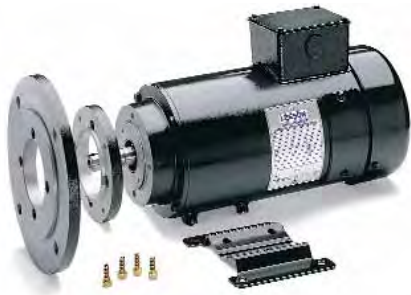
A terminal board is provided for connections. All fasteners are metric. Electrical and mechanical features are the same as listed for the NEMA frame motors on the opposite page. Tachometer mounting kits are available for 71 and 80 frames only.



B5 IEC 56 & 63



B14 IEC 56 & 63



B3 FOOT MOUNTING KITS

(For DC Metric Motors Only)

All motors are stocked with provisions to accommodate B3 foot mountings with the packages noted below.

IEC Frame	Catalog Number	List Price	Disc. Sym.
56	175142	\$51	A
63	175143	51	A
71	175144	56	A
80	175145	61	A
90	175146	39	A

TOTALLY ENCLOSED • SCR RATED 180 VOLTS* WITH B5 FLANGE

KW/HP	Full Load RPM	IEC Frame	Catalog Number	List Price	Disc. Sym.	App. Wgt. (lbs.)	F.L. Amps DC	"C" Dim. Inches (mm)
0.06/1/12	1800	56	M1130146●	\$355	S	8	0.5	6.24 (158.6)
0.09/1/8	3000	56	M1130150●	355	S	9	0.7	6.74 (171.3)
	1800	56	M1130147●	380	S	10	0.7	7.55 (191.7)
0.12/1/6	3000	56	M1130151●	367	S	9	0.9	7.55 (191.7)
	1800	63	M1130148	434	S	7	0.9	8.30 (210.8)
0.18/1/4	3000	63	M1130152●	400	S	11	1.3	8.78 (223.1)
	1800	63	M1130149	466	S	13	1.3	9.50 (241.3)
0.25/1/3	3000	63	M1130153	444	S	11	1.7	9.50 (241.3)

These motors have accommodations for B3 base mountings with the kits below.

TOTALLY ENCLOSED • SCR RATED 180 VOLTS* WITH B14 FACE

KW/HP	Full Load RPM	IEC Frame	Catalog Number	List Price	Disc. Sym.	App. Wgt. (lbs.)	F.L. Amps DC	"C" Dim. Inches (mm)
0.06/1/12	3000	56	M1110024●	\$316	S	6	0.4	6.34 (177.0)
	1800	56	M1130136●	355	S	8	0.5	6.24 (158.6)
0.09/1/8	3000	56	M1130140●	355	S	9	0.7	6.74 (171.3)
	1800	56	M1130137●	380	S	14	0.7	7.55 (191.7)
0.12/1/6	3000	56	M1130141●	367	S	10	0.9	7.55 (191.7)
	1800	63	M1130138	434	S	8	0.9	8.30 (210.8)
0.18/1/4	3000	63	M1130142●	400	S	10	1.3	8.78 (223.1)
	1800	63	M1130139	466	S	10	1.3	9.50 (241.3)
0.25/1/3	3000	63	M1130143	444	S	10	1.7	9.50 (241.3)

Except for M1110024, these motors have accommodations for B3 base mountings with the kits below.

TEFC • SCR RATED 180 VOLTS* • ROUND BODY

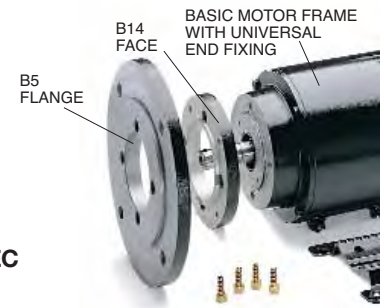
KW/HP	Full Load RPM	IEC Frame	Catalog Number	List Price	Disc. Sym.	App. Wgt. (lbs.)	F.L. Amps DC	"C" Dim. Inches (mm)
0.25/1/3	1800	71	098014	\$463	A	23	1.7	11.28 (286.5)
0.37/1/2	3000	71	098016	495	A	21	2.5	10.78 (273.8)
	1800	71	098015	526	A	26	2.5	11.78 (299.2)
0.55/3/4	3000	71	098017	569	A	24	3.6	11.78 (299.2)
	1800	80	108369	650	A	34	3.5	14.64 (371.9)
0.75/1	3000	80	108372	650	A	45	4.9	14.64 (371.9)
	1800	80	108370	804	A	48	4.6	17.14 (435.4)
1.1/1 1/2	3000	80	108373	719	A	47	7.1	16.14 (410.0)
	1800	80	108371	1061	A	52	7.0	17.14 (435.4)
		90L	118007	1580	B	64	7.5	18.97 (481.8)
1.5/2	3000	90L	118009	1580	B	72	10.0	18.47 (469.1)
	1800	90L	118008	1895	B	84	9.5	20.47 (519.9)
2.2/3	3000	90L	118010	1895	B	82	16.0	19.47 (494.5)
	1800	112M	118014	2645	B	90	14.0	21.79 (553.5)

IMPORTANT: These round body motors require either a B3 rigid base, B14 face or B5 flange kit. Catalog number 118014 comes complete with IEC 112 B14 face and B3 foot; shaft diameter is 24mm.

- * For 230 VAC input controls.
- These motors are totally enclosed, non-ventilated. Other ratings utilize IC41 cooling—external cooling fan on motor shaft.

FLANGE AND FACE KITS FOR DC METRIC (IEC) FRAME MOTORS

An advantage of LEESON'S modular design concept is the possible use of a different diameter B5 flange or B14 face than is normally assigned to a motor by IEC dimensional standards. This flexibility makes it possible to accommodate a wide variety of gear reducers, pumps and similar close coupled motor mounted loads.



Round body DC Metric IEC motors will accept any of the flange or face kits listed.

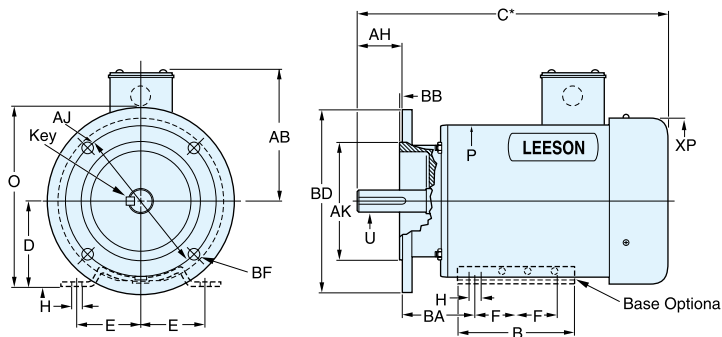
B5 FLANGE KITS (For DC Metric Motors Only)

IEC Frame	Catalog Number	List Price	Disc. Sym.	App. Wgt. (lbs.)	BD Flange Dia. (mm)	AK Register (mm)	BF Hole (mm)	AJ Bolt Circle (mm)
71	175106	\$63	A	2	160	110	9	130
80	175108	63	A	3	200	130	12	165
90S/90L	175108	63	A	3	200	130	12	165
100L/112M	175137	153	A	5	250	180	15	215

B14 FACE KITS (For DC Metric Motors Only)

IEC Frame	Catalog Number	List Price	Disc. Sym.	App. Wgt. (lbs.)	BD Flange Dia. (mm)	AK Register (mm)	BF Tap (mm)	AJ Bolt Circle (mm)
71	175107	\$63	A	1	105	70	6	85
80	175109	63	A	1	120	80	6	100
90S/90L	175129	63	A	1	140	95	6	115
100L/112M	175130	153	A	2	160	110	6	130

CONDENSED DIMENSIONS • DC METRIC (IEC) FRAME MOTORS



*For overall length, see motor listing.

IEC FRAME DIMENSIONS (Millimeters)

IEC Frame	Mounting					Shaft						B14 Face/B5 Flange					General			
	2E	2F	BA	D	H	U	AH	KEY	S	R	TAP	AJ	AK	BD	BF	BB	AB	XP	B	O
56	90	71	36	56	6	9	20	15	3	7.0	M3	65 100	50 80	80 120	M5 7	2.5 2.5	83	96	90	99
63	100	80	40	63	7	11	23	19	4	9.0	M4	75 115	60 95	90 140	M5 9	2.5 3.0	116	96	96	108
71	112	90	45	71	7	14	30	26	5	11.5	M5	85 130	70 110	105 160	M6 9	2.5 3.5	114	130	105	132
80	125	100	50	80	10	19	40	33	6	16.0	M6	100 165	80 130	120 200	M6 12	3.0 3.5	124	149	127	151
90S	140	100	56	90	10	24	50	36	8	20.5	M8	115 165	95 130	140 200	M8 12	3.0 3.5	135	182	152	173
90L	140	125	56	90	10	24	50	36	8	20.5	M8	115 165	95 130	140 200	M8 12	3.0 3.5	135	182	152	173
100L	160	140	63	100	12	28	60	41	8	24.5	M10	130 215	110 180	160 250	M8 15	3.5 4.0	135	182	176	173
112M	190	140	70	112	12	28	60	41	8	24.5	M10	130 215	110 180	160 250	M8 15	3.5 4.0	162	231	176	225

◇ Without face or flange AH shaft dimension is 12mm longer.

All dimensions in millimeters (1 inch = 25.4mm)