

**TEFC**

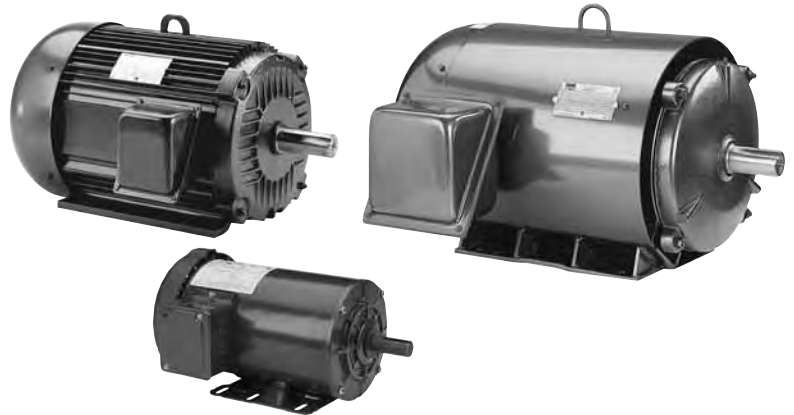
208, 230/460 AND 460 VOLTS • 3-PHASE  
 FOOT MOUNT & C-FACE  
 1/4 TO 400 HP

## Signature Series **MOTORS**

### Frames 48 - 215T

#### Features:

- Industry leading 1.25 service factor\*
- Nameplated for 50 Hz and 208 V/60 Hz Operation – See “Notes” column.
- Continuous Duty
- Inverter-Rated
- Construction materials (reference Model Number) -  
 SPF, SRF & SSF: steel frame/cast aluminum brackets  
 CCN: cast iron frame and brackets
- Premium Insulation Systems –  
48 & 56 frames: Class B  
143T-215T frames: Class F
- UL Recognized Component Listing and CSA certified
- Warranty (sine-wave power) – SPF, SRF, SSF (inverter power) – CCN  
48 & 56 frames: 18 months from date of manufacture and 12 months from date of installation which ever period expires first.  
143T-256T frames: 30 months from date of manufacture and 24 months from date of installation which ever period expires first.



## ULTIMATE E® MOTORS

### Frames 182T - 449T

#### Features:

- Industry leading 1.25 service factor through 75 HP\*
- Superior speed-torque curves – most models\* nameplated Design B & C – see “Notes” column.
- Two levels of premium efficiency – P efficiency codes meet and B efficiency codes exceed the energy efficiency requirements of the United States and Canada.
- Nameplated for 50 Hz and 208 V/60 Hz Operation – See “Notes” column.
- Continuous Duty
- Inverter-Rated
- Construction Materials (reference Model Number) –  
 AF, AAF: extruded aluminum frame and cast iron brackets  
 SF: steel frame and cast iron brackets
- Premium Class F Plus Insulation system
- Y-delta start capability frames 284T-449T
- UL Recognized Component Listing and CSA certified
- Warranty (sine-wave power) - AF-AAF-SF  
182T-449T frames: 60 months from date of manufacture and 54 months from date of installation which ever period expires first.  
Inverter Power: 30 months from date of manufacture and 24 months from date of installation which ever period expires first.
- Shielded ball bearing for direct coupled applications. Contact your local sales office for belted applications.

#### Applications:

For use where exposure to water, dust and corrosives exists. Ideally suited for use on pumps, compressors, fans, blowers, conveyors, machine tools and other industrial applications.



Entire Cast Iron Frame Motors start on pages 323-333 and 376-379.

\* P and B efficiency codes.  
 Information subject to change without notice.



**TEFC**

**208, 230/460 AND 460 VOLTS • 3-PHASE  
FOOT MOUNT & C-FACE  
1/4 TO 400 HP**

**FOOT MOUNT**

HP	SYN RPM	Frame	FL Nom Eff (%)	SF	Volts	Model Number	Product Number	Notes (see page 442)	Approx Shpg Wght (lbs)	List Price	Mult Sym
1/4	1800	48	62.5	1.15	230/460	SPF4S0.25T61	LM24929	H	17	\$235	LT-1A
1/3	1800	48	65.5	1.15	230/460	SPF4S0.33T61	LM24930	H	20	280	LT-1A
	1800	56	65.5	1.15	230/460	SRF4S0.33T61	LM24107	H	16	264	LT-1A
	1200	56	62.0	1.15	230/460	SRF6S0.33T61	LM24931	H, W	22	405	LT-1A
1/2	3600	56	69.0	1.15	230/460	SRF2S0.5T61	LM24165	H, W	22	269	LT-1A
	1800	48	70.0	1.15	230/460	SPF4S0.5T61	LM24932	H	23	328	LT-1A
	1800	56	70.0	1.15	230/460	SRF4S0.5T61	LM24073	H	18	301	LT-1A
	1200	56	68.0	1.15	230/460	SRF6S0.5T61	LM24105	H, Y	24	437	LT-1A
	900	143T	66.0	1.15	230/460	SSF8S0.5T61	LM24291	K, Y	31	642	LT-1A
3/4	3600	56	74.0	1.15	230/460	SRF2S0.75T61	LM24133	H, W	23	298	LT-1A
	1800	56	75.5	1.15	230/460	SRF4S0.75T61	LM24075	H	30	324	LT-1A
	1200	56	74.0	1.15	230/460	SRF6S0.75T61	LM24136	H	28	447	LT-1A
	1200	143T	74.0	1.15	230/460	SSF6S0.75T61	LM24103	K	29	447	LT-1A
	900	145T	70.0	1.15	230/460	SSF8S0.75T61	LM24276	K	49	735	LT-1A
1	3600	56	74.0	1.15	230/460	SRF2S1T61	LM24094	H, W	24	350	LT-1A
	1800	56	77.0	1.15	230/460	SRF4S1T61	LM24078	H, W	27	336	LT-1A
	1800	143T	82.5	1.25	230/460	SSF4P1T61	LM24088	C, H, V	41	353	LT-1B
	1800	143T	85.5	1.25	230/460	CCN4B1T61	LM24102	C, H, V	56	542	LT-1E
	1800	143t	82.5	1.25	230/460	CCN4P1T61	LM25639	C, H, V	56	489	LT-3B
	1200	145T	80.0	1.25	230/460	SSF6P1T61	LM24092	K, W	34	490	LT-1B
	1200	56H	78.5	1.15	230/460	SRF6S1T61	LM24159	H	35	452	LT-1A
	900	182T	70.0	1.15	230/460	AAF8S1T61	LM01260	H, V	64	718	LT-1A
	1 1/2	3600	56	80.0	1.15	230/460	SRF2S1.5T61	LM24144	H	34	384
3600		143T	82.5	1.25	230/460	SSF2P1.5T61	LM24119	H, V	32	406	LT-1B
1800		56H	80.0	1.15	230/460	SRF4S1.5T61	LM24118	H	30	357	LT-1A
1800		145T	84.0	1.25	230/460	SSF4P1.5T61	LM24091	H, V	45	359	LT-1B
1800		145T	84.0	1.25	230/460	CCN4B1.5T61	LM25637	H	63	578	LT-1E
1800		145T	84.0	1.15	230/460	CCN4P1.5T61	LM24164	H	62	505	LT-3B
1200		182T	87.7	1.25	230/460	AAF6B1.5T61	LM15648	K, M	83	659	LT-1E
1200		182T	85.5	1.25	230/460	AAF6P1.5T61	LM15636	K, V	83	558	LT-1B
1200		182T	85.5	1.15	230/460	SSF6P1.5T61	LM24933	H, V	54	566	LT-1B
900		184T	72.0	1.15	230/460	AAF8S1.5T61	LM01301	H, X	71	851	LT-1A
2		3600	56H	82.5	1.15	230/460	SRF2S2T61	LM24347	H	39	430
	3600	145T	84.0	1.25	230/460	SSF2P2T61	LM24089	H, V	31	468	LT-1B
	1800	56H	82.5	1.15	230/460	SRF4S2T61	LM24097	H	40	379	LT-1A
	1800	145T	85.5	1.25	230/460	SSF4P2T61	LM24090	A, H, V	41	379	LT-1B
	1800	145T	85.5	1.15	230/460	CCN4B2T61	LM24127	C, H, W	64	609	LT-1E
	1800	145t	84.0	1.25	230/460	CCF4P2T61	LM24115	C, H, V	57	521	LT-3B
	1200	184T	87.5	1.25	230/460	AAF6B2T61	LM15651	C, K, M	92	733	LT-1E
	1200	184T	86.5	1.25	230/460	AAF6P2T61	LM15639	K, V	92	610	LT-1B
	1200	184T	86.5	1.15	230/460	SSF6P2T61	LM24934	H, V	72	609	LT-1B
	900	213T	75.5	1.15	230/460	AF8S2T61	LM01423		101	1,009	LT-1A
	3	3600	56H	84.0	1.15	230/460	SRF2S3T61	LM24935	H	51	503
3600		182T	85.5	1.15	230/460	SSF2P3T61	LM24936	H, S, ♦	64	537	LT-1B
3600		182T	87.5	1.25	230/460	AAF2B3T61	LM15646	H, M	83	719	LT-1E
3600		182T	85.5	1.25	230/460	AAF2P3T61	LM15634	H, V	83	563	LT-1B
1800		182T	90.2	1.25	230/460	AAF4B3T61	LM15647	H, V	83	630	LT-1E
1800		182T	87.5	1.25	230/460	AAF4P3T61	LM15635	H, P	83	507	LT-1B
1800		182T	87.5	1.15	230/460	SSF4P3T61	LM24937	H, Y	77	447	LT-1B
1800		182T	87.5	1.25	230/460	CCF4P3T61AP21	LM24189	H, V	90	480	LT-3B
1200		213T	89.5	1.25	230/460	AF6B3T61	LM16030	K, M	127	880	LT-1E
1200		213T	87.5	1.25	230/460	AF6P3T61	LM16018	K, P	127	784	LT-1B
1200		213T	87.5	1.15	230/460	SSF6P3T61	LM24938	H, V	125	767	LT-1B
900		215T	77.0	1.15	230/460	AF8S3T61	LM01470		119	1,069	LT-1A

Prices and data subject to change without notice.

Product numbers in red are STOCK items.

**208, 230/460 AND 460 VOLTS • 3-PHASE  
 FOOT MOUNT & C-FACE  
 1/4 TO 400 HP**
**FOOT MOUNT (cont'd)**

HP	SYN RPM	Frame	FL Nom Eff (%)	SF	Volts	Model Number	Product Number	Notes (see page 442)	Approx Shpg Wght (lbs)	List Price	Mult Sym	
5	3600	184T	89.5	1.25	230/460	AAF2B5T61	LM15649	H, V	92	\$827	LT-1E	
	3600	184T	87.5	1.25	230/460	AAF2P5T61	LM15637	H, ♣	92	685	LT-1B	
	3600	184T	87.5	1.15	230/460	SSF2P5T61	LM24939	H	81	657	LT-1B	
	1800	184T	90.2	1.25	230/460	AAF4B5T61	LM15650	H, W	92	737	LT-1E	
	1800	184T	87.5	1.25	230/460	AAF4P5T61	LM15638	H, ♥	92	586	LT-1B	
	1800	184T	87.5	1.25	230/460	CCF4P5T61AP21	LM24180	H, W	123	554	LT-3B	
	1800	184T	87.5	1.15	230/460	SSF4P5T61	LM24940	H, ♣	85	515	LT-1B	
	1200	215T	89.5	1.25	230/460	AF6B5T61	LM16033	K, M	138	1,222	LT-1E	
	1200	215T	87.5	1.25	230/460	AF6P5T61	LM16021	K, P	138	1,063	LT-1B	
	1200	215T	87.5	1.15	230/460	SSF6P5T61	LM24941	H, V	140	923	LT-1B	
	900	254T	81.5	1.15	230/460	AF8S5T61	LM01564		159	1,500	LT-1A	
	7 1/2	3600	213T	91.0	1.25	230/460	AF2B7.5T61	LM16028	H, M	127	1,005	LT-1E
3600		G213T	88.5	1.25	230/460	AF2P7.5T61	LM16016	H, P	127	870	LT-1B	
3600		213T	89.5	1.15	230/460	SSF2P7.5T61	LM24942	H, ♦	109	800	LT-1B	
1800		213T	91.0	1.25	230/460	AF4B7.5T61	LM16029	H, N	127	968	LT-1E	
1800		213T	89.5	1.25	230/460	AF4P7.5T61	LM16017	H, P	127	746	LT-1B	
1800		213T	89.5	1.25	230/460	CCF4P7.5T61AP21	LM24183	H, W	194	707	LT-3B	
1800		213T	89.5	1.15	230/460	SSF4P7.5T61	LM24943	H, ♣	115	690	LT-1B	
1200		254T	91.0	1.25	230/460	AF6B7.5T61	LM15672	K, P	209	1,674	LT-1E	
1200		254T	89.5	1.25	230/460	AF6P7.5T61	LM15660	K, P	209	1,466	LT-1B	
900		256T	82.5	1.15	230/460	AF8S7.5T61	LM01612		195	1,776	LT-1A	
10		3600	215T	91.0	1.25	230/460	AF2B10T61	LM16031	H, N	138	1,221	LT-1E
		3600	G215T	89.5	1.25	230/460	AF2P10T61	LM16019	H, P	138	1,060	LT-1B
	3600	215T	89.5	1.15	230/460	SSF2P10T61	LM24944	H, W	126	1,017	LT-1B	
	1800	215T	91.0	1.25	230/460	AF4B10T61	LM16032	H, N	138	1,221	LT-1E	
	1800	215T	89.5	1.25	230/460	AF4P10T61	LM16020	H, Q	138	908	LT-1B	
	1800	215T	89.5	1.15	230/460	CCF4P10T61AP21	LM24185	J, Q	227	860	LT-3B	
	1800	215T	91.0	1.15	230/460	SSF4P10T61	LM24945	H, W	135	840	LT-1B	
	1200	256T	91.0	1.25	230/460	AF6B10T61	LM15675	K, N	236	2,111	LT-1E	
	1200	256T	89.5	1.25	230/460	AF6P10T61	LM15663	K, N	236	1,849	LT-1B	
	15	3600	254T	91.7	1.25	230/460	AF2B15T61	LM15670	H, M	209	1,674	LT-1E
		3600	G254T	90.2	1.25	230/460	AF2P15T61	LM15658	H, N	209	1,427	LT-1B
		1800	254T	92.4	1.25	230/460	AF4B15T61	LM15671	H, M	209	1,500	LT-1E
1800		254T	91.0	1.25	230/460	AF4P15T61	LM15659	H, N	209	1,340	LT-1B	
1800		254T	91.0	1.25	230/460	CCF4P15T61AP21	LM24182	H	365	1,268	LT-3B	
1200		284T	92.4	1.25	230/460	AF6B15T61Y	LM13962	C, K, X	363	2,827	LT-1E	
1200		284T	90.2	1.25	230/460	AF6P15T61Y	LM13950	C, K, X	363	2,423	LT-1C	
20		3600	256T	91.7	1.25	230/460	AF2B20T61	LM15673	H, N	236	1,993	LT-1E
		3600	256T	90.2	1.25	230/460	AF2P20T61	LM15661	H, Q	236	1,693	LT-1B
		1800	256T	93.0	1.25	230/460	AF4B20T61	LM15674	C, H, M	236	1,883	LT-1E
		1800	256T	91.0	1.25	230/460	AF4P20T61	LM15662	H, Q	236	1,588	LT-1B
		1800	256T	91.0	1.15	230/460	CCF4P20T61AP21	LM24186	J, Q	420	1,503	LT-3B
	1200	286T	93.0	1.25	230/460	AF6B20T61Y	LM13965	C, K, M	408	3,712	LT-1E	
	1200	286T	90.2	1.25	230/460	AF6P20T61Y	LM13953	C, K, Q	408	2,854	LT-1C	
	25	3600	284TS	93.0	1.25	230/460	AF2B25TS61Y	LM13960	H, T	363	2,764	LT-1E
		3600	284TS	91.0	1.25	230/460	AF2P25TS61Y	LM13948	H, P	363	2,257	LT-1C
		3600	284T	91.0	1.25	230/460	AF2P25T61Y	LM18899	H, P	363	2,257	LT-1C
		1800	284T	94.1	1.25	230/460	AF4B25T61Y	LM13961	C, H, M	363	2,494	LT-1E
		1800	284T	92.4	1.25	230/460	AF4P25T61Y	LM13949	C, H, Q	363	2,124	LT-1C
1800		284TS	92.4	1.25	230/460	AF4P25TS61Y	LM20258	C, H, Q	363	2,124	LT-1C	
1800		284T	92.4	1.15	230/460	CCF4P25T61Y	LM15786		440	1,958	LT-3C	
1200		324T	93.0	1.25	230/460	SF6B25T61Y	LM13696	C, K, N	504	4,233	LT-1E	
1200		324T	91.7	1.25	230/460	SF6P25T61Y	LM13540	C, K, ♦	504	3,814	LT-1C	

Prices and data subject to change without notice.

Product numbers in red are STOCK items.



**TEFC**

**208, 230/460 AND 460 VOLTS • 3-PHASE  
FOOT MOUNT & C-FACE  
1/4 TO 400 HP**

**FOOT MOUNT (cont'd)**

HP	SYN RPM	Frame	FL Nom Eff (%)	SF	Volts	Model Number	Product Number	Notes (see page 442)	Approx Shpg Wght (lbs)	List Price	Mult Sym	
30	3600	286TS	93.0	1.25	230/460	AF2B30TS61Y	<b>LM13963</b>	H, M	408	\$3,105	LT-1E	
	3600	286TS	91.0	1.25	230/460	AF2P30TS61Y	<b>LM13951</b>	H, Q	408	2,656	LT-1C	
	3600	286T	91.0	1.25	230/460	AF2P30T61Y	<b>LM18902</b>	H, Q	408	2,656	LT-1C	
	1800	286T	94.5	1.25	230/460	AF4B30T61Y	<b>LM13964</b>	C, M	408	3,282	LT-1E	
	1800	286T	92.4	1.25	230/460	AF4P30T61Y	<b>LM13952</b>	C, P	408	2,538	LT-1C	
	1800	286TS	92.4	1.25	230/460	AF4P30TS61Y	<b>LM20263</b>	C, H, P	408	2,538	LT-1C	
	1800	286T	92.4	1.15	230/460	CCF4P30T61Y	<b>LM15789</b>	▼	494	2,341	LT-3C	
	1200	326T	92.4	1.25	230/460	SF6B30T61Y	<b>LM13697</b>	C, K, Q	558	4,682	LT-1E	
	1200	326T	91.7	1.25	230/460	SF6P30T61Y	<b>LM13541</b>	C, K, Q	570	4,253	LT-1C	
	40	3600	324TS	94.1	1.25	230/460	SF2B40TS61Y	<b>LM13698</b>	H, P	504	3,928	LT-1E
		3600	324TS	91.7	1.25	230/460	SF2P40TS61Y	<b>LM13542</b>	H, Q	504	3,567	LT-1C
		3600	324T	91.7	1.25	230/460	SF2P40T61Y	<b>LM18395</b>	H, Q	504	3,567	LT-1C
1800		324T	94.1	1.25	230/460	SF4B40T61Y	<b>LM13699</b>	C, M	504	3,965	LT-1E	
1800		324T	93.0	1.25	230/460	SF4P40T61Y	<b>LM13543</b>	C, ▼	504	3,429	LT-1C	
1800		324TS	93.0	1.25	230/460	SF4P40TS61Y	<b>LM18394</b>	C, M, ▼	504	3,429	LT-1C	
1200		364T	94.5	1.25	230/460	SF6B40T61Y	<b>LM13918</b>	C, P	765	5,768	LT-1E	
1200		364T	93.0	1.25	230/460	SF6P40T61Y	<b>LM14798</b>	C, P	765	4,938	LT-1C	
50		3600	326TS	94.1	1.25	230/460	SF2B50TS61Y	<b>LM13700</b>	H, M	558	4,985	LT-1E
		3600	326TS	92.4	1.25	230/460	SF2P50TS61Y	<b>LM13544</b>	H, Q	558	4,752	LT-1C
		3600	326T	92.4	1.25	230/460	SF2P50T61Y	<b>LM18397</b>	H, Q	558	4,752	LT-1C
		1800	326T	95.0	1.25	230/460	SF4B50T61Y	<b>LM13701</b>	C, H, M	558	4,758	LT-1E
	1800	326T	93.0	1.25	230/460	SF4P50T61Y	<b>LM13545</b>	C, H, N	558	3,850	LT-1C	
	1800	326TS	93.0	1.25	230/460	SF4P50TS61Y	<b>LM17556</b>	C, H, N	558	3,850	LT-1C	
	1200	365T	94.5	1.25	230/460	SF6B50T61Y	<b>LM13921</b>	C, M	822	6,866	LT-1E	
	1200	365T	93.0	1.25	230/460	SF6P50T61Y	<b>LM14801</b>	C, P	822	5,879	LT-1C	
	60	3600	364TS	95.0	1.25	230/460	SF2B60TS61Y	<b>LM14808</b>	H, M	765	6,181	LT-1E
		3600	364TS	93.0	1.25	230/460	SF2P60TS61Y	<b>LM13904</b>	H, N	765	5,556	LT-1C
		3600	364T	93.0	1.25	230/460	SF2P60T61Y	<b>LM20276</b>	H, N	765	5,556	LT-1C
		1800	364T	95.0	1.25	230/460	SF4B60T61Y	<b>LM14809</b>	C, H, N	765	6,344	LT-1E
1800		364T	93.6	1.25	230/460	SF4P60T61Y	<b>LM14797</b>	H, N	765	5,307	LT-1C	
1800		364TS	93.6	1.25	230/460	SF4P60TS61Y	<b>LM18398</b>	H, N	765	5,307	LT-1C	
1200		404T	94.5	1.15	230/460	SF6B60T61Y	<b>LM13938</b>	C, P	918	8,068	LT-1E	
1200		404T	93.6	1.15	230/460	SF6P60T61Y	<b>LM13928</b>	X	918	7,084	LT-1D	
75		3600	365TS	95.0	1.25	230/460	SF2B75TS61Y	<b>LM14810</b>	H, M	822	7,965	LT-1E
		3600	365TS	93.0	1.25	230/460	SF2P75TS61Y	<b>LM14799</b>	H, Q	822	6,820	LT-1C
		3600	365T	93.0	1.25	230/460	SF2P75T61Y	<b>LM20189</b>	H, Q	822	6,820	LT-1C
		1800	365T	95.0	1.15	230/460	SF4B75T61Y	<b>LM14811</b>	C, J, N	822	7,896	LT-1E
	1800	365T	94.1	1.25	230/460	SF4P75T61Y	<b>LM14800</b>	H, Q	822	6,694	LT-1C	
	1800	365TS	94.1	1.25	230/460	SF4P75TS61Y	<b>LM18399</b>	H, Q	822	6,694	LT-1C	
	1200	405T	94.5	1.15	230/460	SF6B75T61Y	<b>LM13941</b>	K, P	1002	10,472	LT-1E	
	1200	405T	93.6	1.15	230/460	SF6P75T61Y	<b>LM13931</b>	K, Q	1002	9,193	LT-1D	
	100	3600	405TS	95.8	1.15	230/460	SF2B100TS61Y	<b>LM13939</b>	J, M	1002	11,192	LT-1E
		3600	405TS	93.6	1.15	230/460	SF2P100TS61Y	<b>LM13929</b>	J, N	1002	9,332	LT-1D
		3600	405T	93.6	1.15	230/460	SF2P100T61Y	<b>LM20286</b>	J, N	1002	9,332	LT-1D
		1800	405T	95.4	1.15	230/460	SF4B100T61Y	<b>LM13940</b>	C, J, M	1002	9,955	LT-1E
1800		405T	94.5	1.15	230/460	SF4P100T61Y	<b>LM13930</b>	C, J, M	1002	8,087	LT-1D	
1800		405TS	94.5	1.15	230/460	SF4P100TS61Y	<b>LM20284</b>	C, J, M	1002	8,087	LT-1D	
1200		444T	95.4	1.15	460	SF6B100T64Y	<b>LM13702</b>	C, U	1351	13,384	LT-1E	
1200		444T	94.1	1.15	460	SF6P100T64Y	<b>LM13546</b>	U	1351	10,766	LT-1D	
125		3600	444TS	95.8	1.15	460	SF2B125TS64Y	<b>LM13703</b>	N	1351	14,350	LT-1E
		3600	444TS	94.5	1.15	460	SF2P125TS64Y	<b>LM13547</b>	M	1351	11,366	LT-1D
		1800	444T	96.2	1.15	460	SF4B125T64Y	<b>LM13704</b>	C, M	1351	13,292	LT-1E
		1800	444T	94.5	1.15	460	SF4P125T64Y	<b>LM13548</b>	C, M	1351	10,810	LT-1D
	1800	444TS	94.5	1.15	460	SF4P125TS64Y	<b>LM22760</b>	C, M	1351	10,810	LT-1D	
	1200	445T	95.8	1.15	460	SF6B125T64Y	<b>LM13705</b>	C, M	1531	16,239	LT-1E	
	1200	445T	94.1	1.15	460	SF6P125T64Y	<b>LM13549</b>	C, ◆	1504	12,860	LT-1D	

Prices and data subject to change without notice.

**Product numbers in red are STOCK items.**

**208, 230/460 AND 460 VOLTS • 3-PHASE  
FOOT MOUNT & C-FACE  
1/4 TO 400 HP**

**FOOT MOUNT (cont'd)**

HP	SYN RPM	Frame	FL Nom Eff (%)	SF	Volts	Model Number	Product Number	Notes (see page 442)	Approx Shpg Wght (lbs)	List Price	Mult Sym	
150	3600	445TS	96.2	1.15	460	SF2B150TS64Y	<b>LM13706</b>	M	1531	\$17,762	LT-1E	
	3600	445TS	94.5	1.15	460	SF2P150TS64Y	<b>LM13550</b>	N	1531	14,067	LT-1D	
	1800	445T	96.2	1.15	460	SF4B150T64Y	<b>LM13707</b>	C, N	1531	15,560	LT-1E	
	1800	445T	95.0	1.15	460	SF4P150T64Y	<b>LM13551</b>	C, N	1504	12,539	LT-1D	
	1800	445TS	95.0	1.15	460	SF4P150TS64Y	<b>LM16158</b>	C, N	1504	12,539	LT-1D	
	1200	447T	95.8	1.15	460	SF6B150T64Y	<b>LM16231</b>	C, T	1812	19,984	LT-1E	
	1200	445T	95.8	1.15	460	SF6B150T64Y	<b>LM13708</b>	C, U	1531	19,033	LT-1E	
	1200	447T	95.0	1.15	460	SF6P150T64Y	<b>LM16221</b>	C, U	1812	15,826	LT-1D	
	1200	445T	95.0	1.15	460	SF6P150T64Y	<b>LM13552</b>	C	1504	15,072	LT-1D	
	200	3600	447TS	96.2	1.15	460	SF2B200TS64Y	<b>LM16229</b>	N	1812	23,634	LT-1E
3600		445TS	96.2	1.15	460	SF2B200TS64Y	<b>LM13709</b>	N	1531	22,508	LT-1E	
3600		447TS	95.0	1.15	460	SF2P200TS64Y	<b>LM16219</b>	N	1812	18,719	LT-1D	
3600		445TS	95.0	1.15	460	SF2P200TS64Y	<b>LM13553</b>	N	1504	17,825	LT-1D	
1800		447T	96.5	1.15	460	SF4B200T64Y	<b>LM16230</b>	C, N	1812	19,667	LT-1E	
1800		445T	96.2	1.15	460	SF4B200T64Y	<b>LM13710</b>	C, N	1531	18,732	LT-1E	
1800		447T	95.0	1.15	460	SF4P200T64Y	<b>LM16220</b>	C, N	1812	16,004	LT-1D	
1800		445T	95.0	1.15	460	SF4P200T64Y	<b>LM13554</b>	C, ♣	1504	15,507	LT-1D	
1800		445TS	95.0	1.15	460	SF4P200TS64Y	<b>LM15941</b>	C, ♠, ♣	1504	15,507	LT-1D	
1200		449T	95.8	1.15	460	SF6B200T64Y	<b>LM16234</b>	C, T	2185	22,841	LT-1E	
1200		447T	95.8	1.15	460	SF6B200T64Y	<b>LM13711</b>	C, U	1812	21,751	LT-1E	
1200		449T	95.0	1.15	460	SF6P200T64Y	<b>LM16216</b>	C, U	2185	18,088	LT-1D	
1200		447T	95.0	1.15	460	SF6P200T64Y	<b>LM13555</b>	C	1812	17,226	LT-1D	
250		3600	449TS	96.5	1.15	460	SF2B250TS64Y	<b>LM16232</b>	N	2185	28,550	LT-1E
	3600	447TS	96.2	1.15	460	SF2B250TS64Y	<b>LM13712</b>	U	1812	27,191	LT-1E	
	3600	449TS	95.4	1.15	460	SF2P250TS64Y	<b>LM16222</b>	U	2185	22,608	LT-1D	
	3600	447TS	95.4	1.00	460	SF2P250TS64Y	<b>LM13556</b>	U	1812	21,533	LT-1D	
	1800	449T	96.5	1.15	460	SF4B250T64Y	<b>LM16233</b>	M	2185	23,474	LT-1E	
	1800	447T	96.2	1.15	460	SF4B250T64Y	<b>LM13713</b>	N	1812	22,355	LT-1E	
	1800	449T	95.0	1.15	460	SF4P250T64Y	<b>LM16223</b>	U	2185	19,436	LT-1D	
	1800	447T	95.0	1.15	460	SF4P250T64Y	<b>LM13557</b>	U	1812	18,509	LT-1D	
	1800	447TS	95.0	1.15	460	SF4P250TS64Y	<b>LM14751</b>	U	1812	18,509	LT-1D	
	1200	449T	95.4	1.00	460	SF6B250T64Y	<b>LM13714</b>		2185	27,191	LT-1E	
	1200	449T	95.0	1.15	460	SF6P250T64Y	<b>LM13558</b>		2185	21,533	LT-1D	
	300	3600	449TS	96.2	1.15	460	SF2B300TS64Y	<b>LM13715</b>	U	2185	33,850	LT-1E
		3600	449TS	95.4	1.15	460	SF2P300TS64Y	<b>LM13559</b>		2185	26,318	LT-1D
		1800	449T	96.5	1.15	460	SF4B300T64Y	<b>LM17956</b>	N	2185	25,694	LT-1E
1800		447T	96.2	1.15	460	SF4B300T64Y	<b>LM13716</b>	N	1812	24,471	LT-1E	
1800		449T	95.4	1.15	460	SF4P300T64Y	<b>LM17953</b>	U	2185	20,318	LT-1D	
1800		449TS	95.4	1.15	460	SF4P300TS64Y	<b>LM18347</b>	U	2185	20,318	LT-1D	
1800		447T	95.4	1.00	460	SF4P300T64Y	<b>LM13560</b>		1812	19,352	LT-1D	
1800		447TS	95.4	1.00	460	SF4P300TS64Y	<b>LM18319</b>		1812	19,352	LT-1D	
1200		449T	95.8	1.00	460	SF6B300T64Y	<b>TBD</b>		2185	34,743	LT-1E	
1200		449T	95.0	1.00	460	SF6P300T64Y	<b>TBD</b>		2185	27,555	LT-1D	
350	3600	449TS	95.8	1.15	460	SF2B350TS64Y	<b>LM13719</b>	U	2185	36,859	LT-1E	
	3600	449TS	95.4	1.00	460	SF2P350TS64Y	<b>LM13562</b>		2185	29,188	LT-1D	
	1800	449T	96.2	1.15	460	SF4B350T64Y	<b>LM13720</b>	U	2185	30,212	LT-1E	
	1800	449T	95.4	1.15	460	SF4P350T64Y	<b>LM13563</b>		2185	20,042	LT-1D	
400	3600	449TS	95.8	1.00	460	SF2B400TS64Y	<b>LM13721</b>		2185	45,014	LT-1E	
	3600	449TS	95.4	1.00	460	SF2P400TS64Y	<b>LM13564</b>		2185	35,650	LT-1D	
	1800	449T	96.2	1.15	460	SF4B400T64Y	<b>LM13722</b>	U	2185	34,743	LT-1E	
	1800	449T	95.4	1.00	460	SF4P400T64Y	<b>LM13565</b>		2185	26,508	LT-1D	

Prices and data subject to change without notice.

Product numbers in red are STOCK items.



**TEFC**

**208, 230/460 AND 460 VOLTS • 3-PHASE  
FOOT MOUNT & C-FACE  
1/4 TO 400 HP**

**C-FACE WITH FEET**

HP	SYN RPM	Frame	FL Nom Eff (%)	SF	Volts	Model Number	Product Number	Notes (see page 442)	Approx Shpg Wght (lbs)	List Price	Mult Sym
1/4	1800	56C	62.5	1.15	230/460	SRF4S0.25TC61	LM24946	H, V	21	\$269	LT-1A
1/3	1800	56C	65.5	1.15	230/460	SRF4S0.33TC61	LM24114	H	21	298	LT-1A
	1200	56C	62.0	1.15	230/460	SRF6S0.33TC61	LM24948	H, W	22	439	LT-1A
1/2	3600	56C	69.0	1.15	230/460	SRF2S0.5TC61	LM24129	H, W	22	303	LT-1A
	1800	56C	70.0	1.15	230/460	SRF4S0.5TC61	LM24074	H	18	335	LT-1A
	1200	56C	68.0	1.15	230/460	SRF6S0.5TC61	LM24104	H, Y	24	471	LT-1A
	900	143TC	66.0	1.15	230/460	SSF8S0.5TC61	LM24949	K, Y	31	677	LT-1A
3/4	3600	56C	74.0	1.15	230/460	SRF2S0.75TC61	LM24134	H, W	22	332	LT-1A
	1800	56C	75.5	1.15	230/460	SRF4S0.75TC61	LM24076	H	20	358	LT-1A
	1200	56C	74.0	1.15	230/460	SRF6S0.75TC61	LM24140	H	26	481	LT-1A
	1200	143TC	74.0	1.15	230/460	SSF6S0.75TC61	LM24273	K	28	481	LT-1A
	900	145TC	70.0	1.15	230/460	SSF8S0.75TC61	LM24265	K	49	769	LT-1A
1	3600	56C	74.0	1.15	230/460	SRF2S1TC61	LM24126	H, W	25	384	LT-1A
	1800	56C	77.0	1.15	230/460	SRF4S1TC61	LM24079	H, W	28	370	LT-1A
	1800	143TC	82.5	1.25	230/460	SSF4P1TC61	LM24085	C, H, V	41	387	LT-1B
	1200	56HC	78.5	1.15	230/460	SRF6S1TC61	LM24349	H	38	486	LT-1A
	1200	145TC	80.0	1.25	230/460	SSF6P1TC61	LM24122	K, W	47	524	LT-1B
	900	182TC	70.0	1.15	230/460	AAF8S1TC61	LM01263	H, V	68	752	LT-1A
1 1/2	3600	56C	80.0	1.15	230/460	SRF2S1.5TC61	LM24135	H	41	418	LT-1A
	3600	143TC	82.5	1.25	230/460	SSF2P1.5TC61	LM24950	H, V	41	440	LT-1B
	1800	56HC	80.0	1.15	230/460	SRF4S1.5TC61	LM24095	H	31	391	LT-1A
	1800	145TC	84.0	1.25	230/460	SSF4P1.5TC61	LM24086	H, V	44	393	LT-1B
	1200	182TC	87.5	1.25	230/460	AAF6B1.5TC61	LM16728	K, M	95	711	LT-1E
	1200	182TC	85.5	1.25	230/460	AAF6P1.5TC61	LM13662	K, V	95	628	LT-1B
	1200	182TC	85.5	1.15	230/460	SSF6P1.5TC61	LM24951	H, V	54	618	LT-1B
	900	184TC	72.0	1.15	230/460	AAF8S1.5TC61	LM01304	H, ♦	75	903	LT-1A
2	3600	56HC	82.5	1.15	230/460	SRF2S2TC61	LM24121	H	38	464	LT-1A
	3600	145TC	84.0	1.25	230/460	SSF2P2TC61	LM24113	H, V	40	502	LT-1B
	1800	56HC	82.5	1.15	230/460	SRF4S2TC61	LM24081	H, V	50	397	LT-1A
	1800	145TC	85.5	1.25	230/460	SSF4P2TC61	LM24087	H, V	46	413	LT-1B
	1200	184TC	87.5	1.25	230/460	AAF6B2TC61	LM16739	C, K, M	104	786	LT-1E
	1200	184TC	86.5	1.25	230/460	AAF6P2TC61	LM13665	K, V	104	662	LT-1B
	1200	184TC	86.5	1.15	230/460	SSF6P2TC61	LM24952	H, V	56	661	LT-1B
	900	213TC	75.5	1.15	230/460	AF8S2TC61	LM01426		107	1,069	LT-1A
3	3600	56HC	84.0	1.15	230/460	SRF2S3TC61	LM24953	H	53	537	LT-1A
	3600	182TC	87.5	1.25	230/460	AAF2B3TC61	LM16741	H, V	95	771	LT-1E
	3600	182TC	85.5	1.25	230/460	AAF2P3TC61	LM13666	H, V	95	616	LT-1B
	3600	182TC	85.5	1.15	230/460	SSF2P3TC61	LM24954	H, V	66	566	LT-1B
	1800	182TC	90.2	1.25	230/460	AAF4B3TC61	LM16742	H, V	95	682	LT-1E
	1800	182TC	87.5	1.25	230/460	AAF4P3TC61	LM13667	H, Y	95	559	LT-1B
	1800	182TC	87.5	1.15	230/460	SSF4P3TC61	LM24955	H	79	499	LT-1B
	1200	213TC	89.5	1.25	230/460	AF6B3TC61	LM16744	K, M	138	940	LT-1E
	1200	213TC	87.5	1.25	230/460	AF6P3TC61	LM13668	K, P	138	844	LT-1B
	1200	213TC	87.5	1.15	230/460	SSF6P3TC61	LM24956	H, V	90	827	LT-1B
	900	215TC	77.0	1.15	230/460	AF8S3TC61	LM01475		125	1,129	LT-1A
	5	3600	184TC	89.5	1.25	230/460	AAF2B5TC61	LM16745	H, N	104	880
3600		184TC	87.5	1.25	230/460	AAF2P5TC61	LM13669	H, ♣	104	737	LT-1B
3600		184TC	87.5	1.15	230/460	SSF2P5TC61	LM24957	H, W	85	710	LT-1B
1800		184TC	90.2	1.25	230/460	AAF4B5TC61	LM16747	H, W	104	791	LT-1E
1800		184TC	87.5	1.25	230/460	AAF4P5TC61	LM13744	H, ♥	104	638	LT-1B
1800		184TC	87.5	1.15	230/460	SSF4P5TC61	LM24958	♣	90	567	LT-1B
1200		215TC	89.5	1.25	230/460	AF6B5TC61	LM16748	K, M	149	1,282	LT-1E
1200		215TC	87.5	1.25	230/460	AF6P5TC61	LM13800	K, P	149	1,124	LT-1B
1200		215TC	87.5	1.15	230/460	SSF6P5TC61	LM24959	H, V	115	983	LT-1B
900		254TC	81.5	1.15	230/460	AF8S5TC61	LM01569		167	1,580	LT-1A

Prices and data subject to change without notice.

**208, 230/460 AND 460 VOLTS • 3-PHASE  
FOOT MOUNT & C-FACE  
1/4 TO 400 HP**

**C-FACE WITH FEET (cont'd)**

HP	SYN RPM	Frame	FL Nom Eff (%)	SF	Volts	Model Number	Product Number	Notes (see page 442)	Approx Shpg Wght (lbs)	List Price	Mult Sym	
7 1/2	3600	213TC	91.0	1.25	230/460	AF2B7.5TC61	LM16750	H, M	138	\$1,065	LT-1E	
	3600	G213TC	88.5	1.25	230/460	AF2P7.5TC61	LM13835	H, P	138	932	LT-1B	
	3600	213TC	89.5	1.15	230/460	SSF2P7.5TC61	LM24960	H, ♦	118	860	LT-1B	
	1800	213TC	91.0	1.25	230/460	AF4B7.5TC61	LM16752	H, N	138	1,028	LT-1E	
	1800	213TC	89.5	1.25	230/460	AF4P7.5TC61	LM16240	H, P	138	808	LT-1B	
	1800	213TC	89.5	1.15	230/460	SSF4P7.5TC61	LM24961	H, ♣	135	718	LT-1B	
	1200	254TC	91.0	1.25	230/460	AF6B7.5TC61	LM16753	K, P	221	1,754	LT-1E	
	1200	254TC	89.5	1.25	230/460	AF6P7.5TC61	LM16241	K, P	221	1,546	LT-1B	
	900	256TC	82.5	1.15	230/460	AF8S7.5TC61	LM01614		203	1,856	LT-1A	
	10	3600	215TC	91.0	1.25	230/460	AF2B10TC61	LM16755	H, N	149	1,282	LT-1E
3600		G215TC	89.5	1.25	230/460	AF2P10TC61	LM16242	H, P	149	1,121	LT-1B	
3600		215TC	89.5	1.15	230/460	SSF2P10TC61	LM24962	H	125	1,077	LT-1B	
1800		215TC	91.0	1.25	230/460	AF4B10TC61	LM16757	H, N	149	1,281	LT-1E	
1800		215TC	89.5	1.25	230/460	AF4P10TC61	LM16243	H, Q	149	968	LT-1B	
1800		215TC	91.0	1.15	230/460	SSF4P10TC61	LM24963	H, W	135	860	LT-1B	
1200		256TC	91.0	1.25	230/460	AF6B10TC61	LM16759	K, M	248	2,192	LT-1E	
1200		256TC	89.5	1.25	230/460	AF6P10TC61	LM16244	K, N	248	1,929	LT-1B	
15		3600	254TC	91.7	1.25	230/460	AF2B15TC61	LM16761	H, M	221	1,754	LT-1E
		3600	G254TC	90.2	1.25	230/460	AF2P15TC61	LM16245	H, N	221	1,507	LT-1B
	1800	254TC	92.4	1.25	230/460	AF4B15TC61	LM16762	H, M	221	1,634	LT-1E	
	1800	254TC	91.0	1.25	230/460	AF4P15TC61	LM16246	H, N	221	1,419	LT-1B	
	1200	284TC	92.4	1.25	230/460	AF6B15TC61Y	LM16764	C, K, M	370	2,966	LT-1E	
	1200	284TC	90.2	1.25	230/460	AF6P15TC61Y	LM16247	C, K, Q	370	2,563	LT-1C	
20	3600	256TC	91.7	1.25	230/460	AF2B20TC61	LM16766	H, N	248	2,073	LT-1E	
	3600	256TC	90.2	1.25	230/460	AF2P20TC61	LM16248	H, Q	248	1,772	LT-1B	
	1800	256TC	93.0	1.25	230/460	AF4B20TC61	LM16767	C, H, M	248	1,963	LT-1E	
	1800	256TC	91.0	1.25	230/460	AF4P20TC61	LM16249	H, Q	248	1,669	LT-1B	
	1200	286TC	93.0	1.25	230/460	AF6B20TC61Y	LM16769	C, K, M	415	3,850	LT-1E	
	1200	286TC	90.2	1.25	230/460	AF6P20TC61Y	LM16250	C, K, Q	415	2,993	LT-1C	
25	3600	284TSC	92.4	1.25	230/460	AF2B25TSC61Y	LM16770	H, M	370	2,903	LT-1E	
	3600	284TSC	91.0	1.25	230/460	AF2P25TSC61Y	LM16251	H, P	370	2,396	LT-1C	
	1800	284TC	94.1	1.25	230/460	AF4B25TC61Y	LM16772	H, M	370	2,632	LT-1E	
	1800	284TC	92.4	1.25	230/460	AF4P25TC61Y	LM16252	H, Q	370	2,262	LT-1C	
	1800	284TSC	92.4	1.25	230/460	AF4P25TSC61Y	LM18897	H, Q	370	2,262	LT-1C	
	1200	324TC	93.0	1.25	230/460	SF6B25TC61Y	LM13723	C, K, N	514	4,464	LT-1E	
30	1200	324TC	91.7	1.25	230/460	SF6P25TC61Y	LM13566	C, K, ♦	514	3,863	LT-1C	
	3600	286TSC	93.0	1.25	230/460	AF2B30TSC61Y	LM16773	H, M	415	3,244	LT-1E	
	3600	286TSC	91.0	1.25	230/460	AF2P30TSC61Y	LM16253	H, Q	415	2,796	LT-1C	
	1800	286TC	94.5	1.25	230/460	AF4B30TC61Y	LM16774	H, M	415	3,420	LT-1E	
	1800	286TC	92.4	1.25	230/460	AF4P30TC61Y	LM16254	H, P	415	2,677	LT-1C	
	1800	286TSC	92.4	1.25	230/460	AF4P30TSC61Y	LM18907	H, P	415	2,677	LT-1C	
40	1200	326TC	92.4	1.25	230/460	SF6B30TC61Y	LM13724	C, K, Q	568	4,913	LT-1E	
	1200	326TC	91.7	1.25	230/460	SF6P30TC61Y	LM13567	C, K, Q	580	4,494	LT-1C	
	3600	324TSC	94.1	1.25	230/460	SF2B40TSC61Y	LM13725	H, P	514	4,158	LT-1E	
	3600	324TSC	91.7	1.25	230/460	SF2P40TSC61Y	LM13568	H, Q	514	3,627	LT-1C	
	1800	324TC	94.1	1.25	230/460	SF4B40TC61Y	LM13726	C, H, M	514	4,007	LT-1E	
	1800	324TC	93.0	1.25	230/460	SF4P40TC61Y	LM13569	C, H, ♦	514	3,498	LT-1C	
50	1800	324TSC	93.0	1.25	230/460	SF4P40TSC61Y	LM16052	C, H, ♦	514	3,498	LT-1C	
	1200	364TC	94.5	1.25	230/460	SF6B40TC61Y	LM15565	C, K, M	777	5,863	LT-1E	
	1200	364TC	93.0	1.25	230/460	SF6P40TC61Y	LM15554	C, K	777	5,072	LT-1C	
	3600	326TSC	94.1	1.25	230/460	SF2B50TSC61Y	LM13727	H, M	568	5,215	LT-1E	
	3600	326TSC	92.4	1.25	230/460	SF2P50TSC61Y	LM13570	H, Q	568	4,542	LT-1C	
	1800	326TC	95.0	1.25	230/460	SF4B50TC61Y	LM13728	C, H, M	568	4,762	LT-1E	
50	1800	326TC	93.0	1.25	230/460	SF4P50TC61Y	LM13571	C, H, N	568	3,719	LT-1C	
	1800	326TSC	93.0	1.25	230/460	SF4P50TSC61Y	LM16055	C, H, N	568	3,719	LT-1C	
	1200	365TC	94.5	1.25	230/460	SF6B50TC61Y	LM15568	C, K, M	834	7,236	LT-1E	
	1200	365TC	93.0	1.25	230/460	SF6P50TC61Y	LM15557	K, Q	834	6,250	LT-1C	

Prices and data subject to change without notice.



**TEFC**

**208, 230/460 AND 460 VOLTS • 3-PHASE  
FOOT MOUNT & C-FACE  
1/4 TO 400 HP**

**C-FACE WITH FEET (cont'd)**

HP	SYN RPM	Frame	FL Nom Eff (%)	SF	Volts	Model Number	Product Number	Notes (see page 442)	Approx Shpg Wght (lbs)	List Price	Mult Sym
60	3600	364TSC	95.0	1.25	230/460	SF2B60TSC61Y	LM15562	H, M	777	\$6,551	LT-1E
	3600	364TSC	93.0	1.25	230/460	SF2P60TSC61Y	LM15552	H, N	777	5,661	LT-1C
	1800	364TC	95.0	1.25	230/460	SF4B60TC61Y	LM15563	C, H, N	777	6,412	LT-1E
	1800	364TC	93.6	1.25	230/460	SF4P60TC61Y	LM15553	H, N	777	5,684	LT-1C
	1800	364TSC	93.6	1.25	230/460	SF4P60TSC61Y	LM16059	H, N	777	5,684	LT-1C
	1200	404TC	94.5	1.15	230/460	SF6B60TC61Y	LM16716	C, K, P	934	8,507	LT-1E
1200	404TC	93.6	1.15	230/460	SF6P60TC61Y	LM13654	K, ♦	934	7,186	LT-1D	
75	3600	365TSC	95.0	1.25	230/460	SF2B75TSC61Y	LM15566	H, M	834	8,335	LT-1E
	3600	365TSC	93.0	1.25	230/460	SF2P75TSC61Y	LM15555	H	834	7,190	LT-1C
	1800	365TC	95.0	1.15	230/460	SF4B75TC61Y	LM15567	C, J, N	834	8,265	LT-1E
	1800	365TC	94.1	1.25	230/460	SF4P75TC61Y	LM15556	H, Q	834	7,064	LT-1C
	1800	365TSC	94.1	1.25	230/460	SF4P75TSC61Y	LM16063	H, Q	834	7,064	LT-1C
	1200	405TC	94.5	1.15	230/460	SF6B75TC61Y	LM16717	K, P	1018	10,910	LT-1E
1200	405TC	93.6	1.15	230/460	SF6P75TC61Y	LM13655	K, Q	1018	9,195	LT-1D	
100	3600	405TSC	95.8	1.15	230/460	SF2B100TSC61Y	LM16719	J, M	1018	11,631	LT-1E
	3600	405TSC	93.6	1.15	230/460	SF2P100TSC61Y	LM13656	J, N	1018	9,771	LT-1D
	1800	405TC	95.4	1.15	230/460	SF4B100TC61Y	LM15263	C, J, M	1018	10,395	LT-1E
	1800	405TC	94.5	1.15	230/460	SF4P100TC61Y	LM13657	C, J, M	1018	8,538	LT-1D
	1800	405TSC	94.5	1.15	230/460	SF4P100TSC61Y	LM20285	C, J, M	1018	8,538	LT-1D
	1200	444TC	95.4	1.15	460	SF6B100TC64Y	LM13729	C, U	1372	13,928	LT-1E
1200	444TC	94.1	1.15	460	SF6P100TC64Y	LM13572	U	1372	11,311	LT-1D	
125	3600	444TSC	95.8	1.15	460	SF2B125TSC64Y	LM13730	N	1372	14,895	LT-1E
	3600	444TSC	94.5	1.15	460	SF2P125TSC64Y	LM13573	M	1372	11,909	LT-1D
	1800	444TC	96.2	1.15	460	SF4B125TC64Y	LM13731	C, M	1372	13,837	LT-1E
	1800	444TC	94.5	1.15	460	SF4P125TC64Y	LM13574	C, M	1372	11,368	LT-1D
	1800	444TSC	94.5	1.15	460	SF4P125TSC64Y	LM20291	C, M	1372	11,368	LT-1D
	1200	445TC	95.8	1.15	460	SF6B125TC64Y	LM13732	C, U	1552	16,784	LT-1E
1200	445TC	94.1	1.15	460	SF6P125TC64Y	LM13575	C, ♦	1525	13,403	LT-1D	
150	3600	445TSC	96.2	1.15	460	SF2B150TSC64Y	LM13733	M	1552	18,386	LT-1E
	3600	445TSC	94.5	1.15	460	SF2P150TSC64Y	LM13576	N	1525	14,612	LT-1D
	1800	445TC	96.2	1.15	460	SF4B150TC64Y	LM13734	C, N	1552	16,105	LT-1E
	1800	445TC	95.0	1.15	460	SF4P150TC64Y	LM13577	C, ♣	1525	13,092	LT-1D
	1800	445TSC	95.0	1.15	460	SF4P150TSC64Y	LM20642	C, ♣	1525	13,092	LT-1D
	1200	445TC	95.8	1.15	460	SF6B150TC64Y	LM13735	C, U	1552	19,578	LT-1E
1200	445TC	95.0	1.15	460	SF6P150TC64Y	LM13578	C	1525	15,617	LT-1D	
200	3600	445TSC	96.2	1.15	460	SF2B200TSC64Y	LM13736	N	1552	23,052	LT-1E
	3600	445TSC	95.0	1.15	460	SF2P200TSC64Y	LM13579	N	1525	18,370	LT-1D
	1800	445TC	96.2	1.15	460	SF4B200TC64Y	LM13737	C, N	1552	19,276	LT-1E
	1800	445TC	95.0	1.15	460	SF4P200TC64Y	LM13580	C	1525	16,077	LT-1D
	1800	445TSC	95.0	1.15	460	SF4P200TSC64Y	LM20300	C	1525	16,077	LT-1D
	1200	447TC	95.8	1.15	460	SF6B200TC64Y	LM13738	C, U	1833	22,335	LT-1E
1200	447TC	95.0	1.15	460	SF6P200TC64Y	LM13581	C	1833	17,809	LT-1D	
250	3600	447TSC	96.2	1.15	460	SF2B250TSC64Y	LM13739	U	1833	27,774	LT-1E
	3600	447TSC	95.4	1.00	460	SF2P250TSC64Y	LM13582		1833	22,116	LT-1D
	1800	447TC	96.2	1.15	460	SF4B250TC64Y	LM13740	N	1833	22,938	LT-1E
	1800	447TC	95.0	1.15	460	SF4P250TC64Y	LM13583	U	1833	19,119	LT-1D
	1200	449TC	95.4	1.00	460	SF6B250TC64Y	LM13741		2206	27,774	LT-1E
	1200	449TC	95.0	1.15	460	SF6P250TC64Y	LM13584		2206	22,116	LT-1D
300	3600	449TSC	96.2	1.15	460	SF2B300TSC64Y	LM13742	U	2206	36,155	LT-1E
	3600	449TSC	95.4	1.15	460	SF2P300TSC64Y	LM13585		2206	26,901	LT-1D
	1800	447TC	96.2	1.15	460	SF4B300TC64Y	LM13743	N	1833	25,054	LT-1E
	1800	449TC	95.4	1.15	460	SF4P300TC64Y	LM19193	U	2206	20,945	LT-1D
	1800	447TC	95.4	1.00	460	SF4P300TC64Y	LM15308		1833	19,977	LT-1D

Prices and data subject to change without notice.

Product numbers in red are STOCK items.

**208, 230/460 AND 460 VOLTS • 3-PHASE  
FOOT MOUNT & C-FACE  
1/4 TO 400 HP**

**C-FACE WITH FEET (cont'd)**

HP	SYN RPM	Frame	FL Nom Eff (%)	SF	Volts	Model Number	Product Number	Notes (see page 442)	Approx Shpg Wght (lbs)	List Price	Mult Sym
350	3600	449TSC	95.8	1.15	460	SF2B350TSC64Y	<b>LM13745</b>	U	2206	\$37,442	LT-1E
	3600	449TSC	95.4	1.00	460	SF2P350TSC64Y	<b>LM13588</b>		2206	29,771	LT-1D
	1800	449TC	96.2	1.15	460	SF4B350TC64Y	<b>LM13746</b>	U	2206	30,795	LT-1E
	1800	449TC	95.4	1.15	460	SF4P350TC64Y	<b>LM15400</b>		2206	20,669	LT-1D
400	3600	449TSC	95.8	1.00	460	SF2B400TSC64Y	<b>LM13747</b>		2206	45,597	LT-1E
	3600	449TSC	95.4	1.00	460	SF2P400TSC64Y	<b>LM13590</b>		2206	36,233	LT-1D
	1800	449TC	96.2	1.15	460	SF4B400TC64Y	<b>LM13748</b>	U	2206	35,327	LT-1E
	1800	449TC	95.4	1.00	460	SF4P400TC64Y	<b>LM13591</b>		2206	27,134	LT-1D

**C-FACE FOOTLESS**

HP	SYN RPM	Frame	FL Nom Eff (%)	SF	Volts	Model Number	Product Number	Notes (see page 442)	Approx Shpg Wght (lbs)	List Price	Mult Sym
1/4	1800	56C	62.5	1.15	230/460	SRF4S0.25TCN61	<b>LM24964</b>	H, V	14	\$254	LT-1A
1/3	1800	56C	65.5	1.15	230/460	SRF4S0.33TCN61	<b>LM24093</b>	H	15	274	LT-1A
	1200	56C	62.0	1.15	230/460	SRF6S0.33TCN61	<b>LM24858</b>	H, W	21	418	LT-1A
1/2	3600	56C	69.0	1.15	230/460	SRF2S0.5TCN61	<b>LM24138</b>	H, W	22	284	LT-1A
	1800	56C	70.0	1.15	230/460	SRF4S0.5TCN61	<b>LM24083</b>	H	17	333	LT-1A
	1200	56C	68.0	1.15	230/460	SRF6S0.5TCN61	<b>LM24128</b>	H, X	23	451	LT-1A
	900	143TC	66.0	1.15	230/460	SSF8S0.5TCN61	<b>LM24965</b>	K, Y	31	677	LT-1A
3/4	3600	56C	74.0	1.15	230/460	SRF2S0.75TCN61	<b>LM24151</b>	H, W	22	298	LT-1A
	1800	56C	75.5	1.15	230/460	SRF4S0.75TCN61	<b>LM24077</b>	H	21	345	LT-1A
	1200	56C	74.0	1.15	230/460	SRF6S0.75TCN61	<b>LM24153</b>	H	26	471	LT-1A
	1200	143TC	74.0	1.15	230/460	SSF6S0.75TCN61	<b>LM24966</b>	K	29	471	LT-1A
	900	145TC	70.0	1.15	230/460	SSF8S0.75TCN61	<b>LM24967</b>	K	49	769	LT-1A
1	3600	56C	74.0	1.15	230/460	SRF2S1TCN61	<b>LM24139</b>	H, W	24	353	LT-1A
	1800	56C	77.0	1.15	230/460	SRF4S1TCN61	<b>LM24080</b>	H, W	27	369	LT-1A
	1800	143TC	82.5	1.25	230/460	SSF4P1TCN61	<b>LM24148</b>	C, H, V	28	427	LT-1B
	1800	143TC	77.0	1.15	230/460	SSF4S1TCN61	<b>LM24968</b>	H, W	28	369	LT-1A
	1200	56HC	78.5	1.15	230/460	SRF6S1TCN61	<b>LM24130</b>	H	33	464	LT-1A
	1200	145TC	77.0	1.15	230/460	SSF6S1TCN61	<b>LM24969</b>	H	33	464	LT-1A
1 1/2	3600	56C	80.0	1.15	230/460	SRF2S1.5TCN61	<b>LM24096</b>	H	26	387	LT-1A
	3600	143TC	80.0	1.15	230/460	SSF2S1.5TCN61	<b>LM24970</b>	H	27	384	LT-1A
	1800	56C	80.0	1.15	230/460	SRF4S1.5TCN61	<b>LM24112</b>	H	29	392	LT-1A
	1800	145TC	84.0	1.25	230/460	SSF4P1.5TCN61	<b>LM24149</b>	H, V	31	430	LT-1B
	1800	145TC	80.0	1.15	230/460	SSF4S1.5TCN61	<b>LM24971</b>	H, W	31	380	LT-1A
	1200	182TC	75.5	1.15	230/460	SSF6S1.5TCN61	<b>LM24972</b>	H	69	528	LT-1A
2	3600	56HC	82.5	1.15	230/460	SRF2S2TCN61	<b>LM24132</b>	H	29	440	LT-1A
	3600	145TC	80.0	1.15	230/460	SSF2S2TCN61	<b>LM24973</b>	H	30	440	LT-1A
	1800	56HC	82.5	1.15	230/460	SRF4S2TCN61	<b>LM24084</b>	H, V	39	418	LT-1A
	1800	145TC	85.5	1.25	230/460	SSF4P2TCN61	<b>LM24125</b>	A, H, V	39	463	LT-1B
	1800	145TC	82.5	1.15	230/460	SSF4S2TCN61	<b>LM24260</b>	H, V	39	405	LT-1A
	1200	184TC	79.0	1.15	230/460	SSF6S2TCN61	<b>LM24974</b>	H	80	607	LT-1A
3	3600	56HC	84.0	1.15	230/460	SRF2S3TCN61	<b>LM24975</b>	H	40	503	LT-1A
	3600	145TC	84.0	1.15	230/460	SSF2S3TCN61	<b>LM24976</b>	H	40	503	LT-1A
	3600	182TC	82.5	1.15	230/460	SSF2S3TCN61	<b>LM24977</b>	H	72	555	LT-1A
	1800	145TC	84.0	1.15	230/460	SSF4S3TCN61	<b>LM24978</b>	H	50	524	LT-1A
	1800	182TC	90.2	1.25	230/460	AAF4B3TCN61	<b>LM16824</b>	H, V	95	682	LT-1E
	1800	182TC	87.5	1.25	230/460	AAF4P3TCN61	<b>LM16298</b>	H, P	95	559	LT-1B
	1800	182TC	82.5	1.15	230/460	SSF4S3TCN61	<b>LM24979</b>	H, W	76	497	LT-1A
	1200	213TC	80.0	1.15	230/460	SSF6S3TCN61	<b>LM24980</b>	H	75	767	LT-1A

Prices and data subject to change without notice.

Product numbers in red are STOCK items.



**TEFC**

**208, 230/460 AND 460 VOLTS • 3-PHASE  
FOOT MOUNT & C-FACE  
1/4 TO 400 HP**

**C-FACE FOOTLESS (cont'd)**

HP	SYN RPM	Frame	FL Nom Eff (%)	SF	Volts	Model Number	Product Number	Notes (see page 442)	Approx Shpg Wght (lbs)	List Price	Mult Sym
5	3600	184TC	84.0	1.15	230/460	SSF2S5TCN61	<b>LM24981</b>	H	79	\$637	LT-1A
	1800	184TC	90.2	1.25	230/460	AAF4B5TCN61	<b>LM16825</b>	H, W	104	791	LT-1E
	1800	184TC	87.5	1.25	230/460	AAF4P5TCN61	<b>LM16299</b>	H, Q	104	638	LT-1B
	1800	184TC	86.5	1.15	230/460	SSF4S5TCN61	<b>LM24982</b>	A, H	92	570	LT-1A
	1200	215TC	84.0	1.15	230/460	SSF6S5TCN61	<b>LM24983</b>	H	80	1,038	LT-1A
7 1/2	3600	184TC	85.5	1.15	230/460	SSF2S7.5TCN61	<b>LM24984</b>	H	100	825	LT-1A
	3600	213TC	84.0	1.15	230/460	SSF2S7.5TCN61	<b>LM24985</b>	H, W	80	835	LT-1A
	1800	213TC	91.0	1.25	230/460	AF4B7.5TCN61	<b>LM16826</b>	H, N	138	1,030	LT-1E
	1800	213TC	89.5	1.25	230/460	AF4P7.5TCN61	<b>LM16300</b>	H, P	138	808	LT-1B
	1800	213TC	87.5	1.15	230/460	SSF4S7.5TCN61	<b>LM24986</b>	H	103	733	LT-1A
10	3600	215TC	86.5	1.15	230/460	SSF2S10TCN61	<b>LM24987</b>	H	102	1,077	LT-1A
	1800	215TC	91.0	1.25	230/460	AF4B10TCN61	<b>LM16827</b>	H, N	149	1,282	LT-1E
	1800	215TC	89.5	1.25	230/460	AF4P10TCN61	<b>LM16301</b>	H, Q	149	968	LT-1B
	1800	215TC	88.5	1.15	230/460	SSF4S10TCN61	<b>LM24988</b>	H	135	881	LT-1A
	15	3600	215TC	88.5	1.15	230/460	SSF2S15TCN61	<b>LM24989</b>	H	125	1,353
15	1800	254TC	91.7	1.25	230/460	AF4B15TCN61	<b>LM16828</b>	H, M	221	1,755	LT-1E
	1800	254TC	91.0	1.25	230/460	AF4P15TCN61	<b>LM16302</b>	H, N	221	1,419	LT-1B
20	1800	256TC	91.7	1.25	230/460	AF4B20TCN61	<b>LM16829</b>	H, N	248	2,104	LT-1E
	1800	256TC	91.0	1.25	230/460	AF4P20TCN61	<b>LM16303</b>	H, Q	248	1,669	LT-1B

Prices and data subject to change without notice.

**Product numbers in red are STOCK items.**