

CURRENT TRANSFORMER

Model 3P4

Window Diameter 1.44"

APPLICATION:

3 phase metering and other switchboard applications.

FREQUENCY:

50-400 Hz.

INSULATION LEVEL:

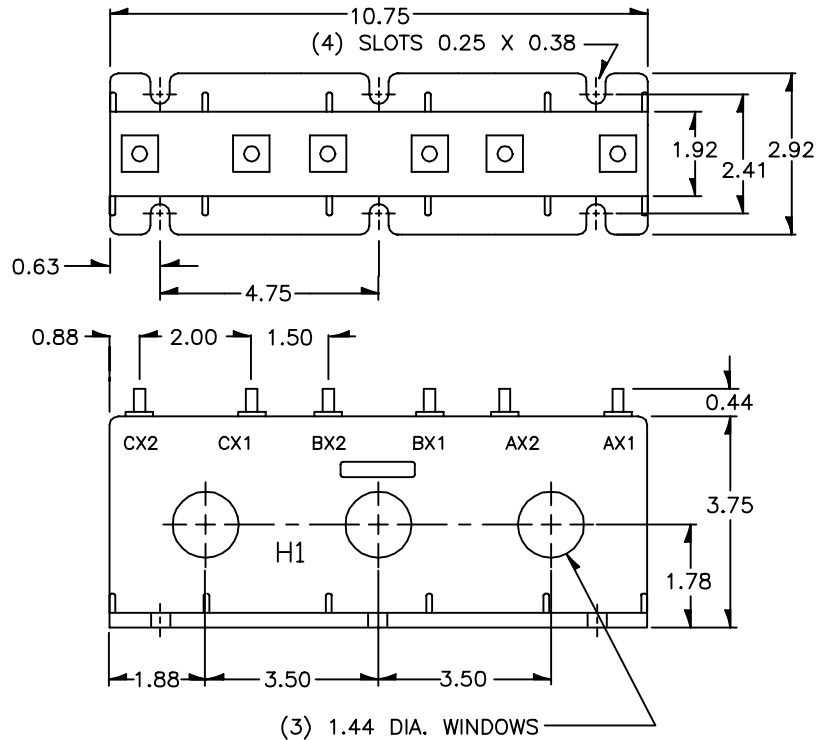
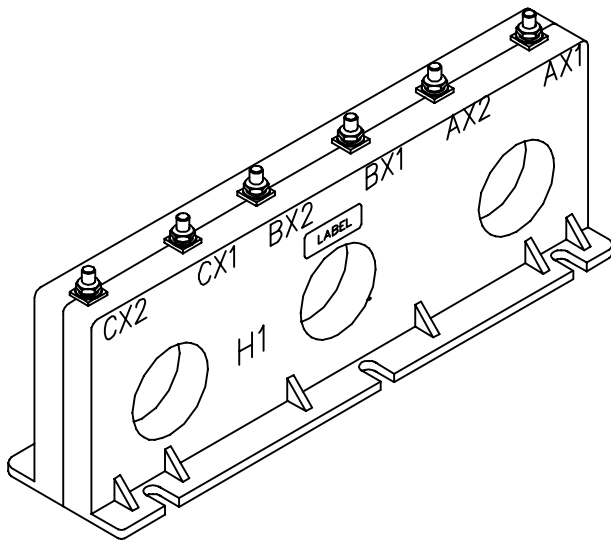
600 Volt, 10 kV BIL full wave.

- Terminals are brass studs No.8-32 with one flatwasher, lockwasher and regular nut.
- Transformers can be ordered with secondary leads configured in various ways (consult factory).
- Approximate weight 6.75 lbs.

REGULATORY AGENCY APPROVALS



Manufactured to meet the requirements of ANSI/IEEE C57.13.
Classified by U.L. in accordance with IEC 44-1



CATALOG NUMBER	CURRENT RATIO	ANSI METERING CLASS AT 60 Hz					SECONDARY WINDING RESISTANCE (OHMS @ 75°C.)
		B0.1	B0.2	B0.5	B0.9	B1.8	
3P4-500	50:5	2.4	-	-	-	-	0.011
3P4-101	100:5	1.2	2.4	-	-	-	0.023
3P4-151	150:5	0.6	1.2	2.4	-	-	0.034
3P4-201	200:5	0.3	0.6	1.2	2.4	-	0.045
3P4-251	250:5	0.3	0.3	0.6	1.2	2.4	0.057
3P4-301	300:5	0.3	0.3	0.6	0.6	1.2	0.068
3P4-401	400:5	0.3	0.3	0.6	0.6	1.2	0.091
3P4-501	500:5	0.3	0.3	0.3	0.6	0.6	0.113
3P4-601	600:5	0.3	0.3	0.3	0.6	0.6	0.136
3P4-751	750:5	0.3	0.3	0.3	0.3	0.6	0.170
3P4-801	800:5	0.3	0.3	0.3	0.3	0.6	0.181
3P4-102	1000:5	0.3	0.3	0.3	0.3	0.3	0.226

CURRENT TRANSFORMER

Model 3P30

Window Diameter 2.88"

APPLICATION:

3 phase metering and other switchboard applications.

FREQUENCY:

50-400 Hz.

INSULATION LEVEL:

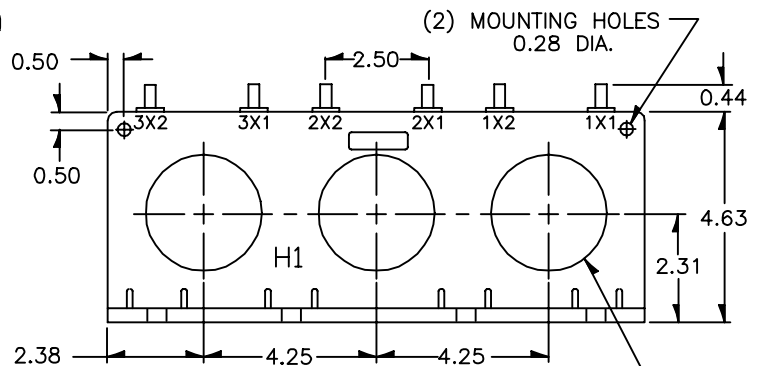
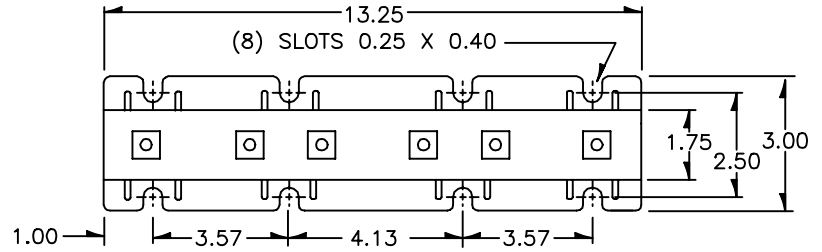
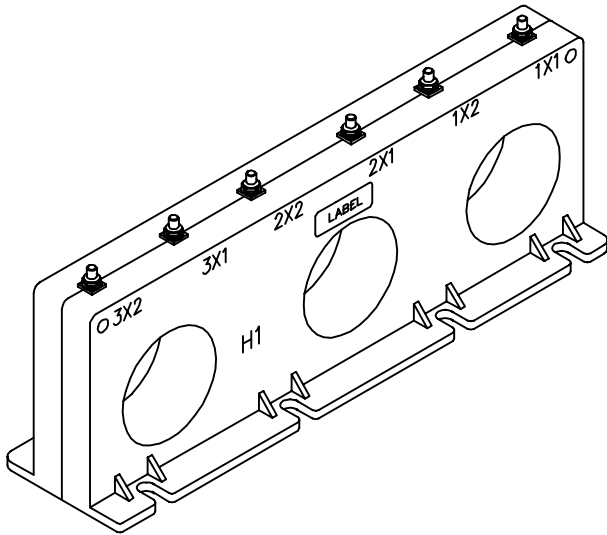
600 Volt, 10 kV BIL full wave.

REGULATORY AGENCY APPROVALS



Manufactured to meet the requirements of ANSI/IEEE C57.13. Classified by U.L. in accordance with IEC 44-1

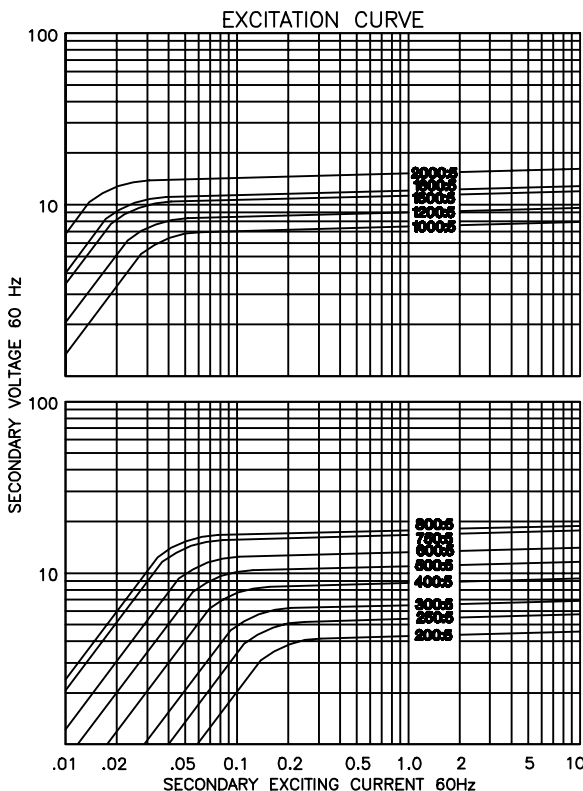
- Terminals are brass studs No.8-32 with one flatwasher, lockwasher and regular nut.
- Approximate weight 3 lbs.



(3) WINDOWS 2.88 DIA.

NOTE:

Holes at the top of the transformer case can be used for attaching auxiliary device mounting plate, (not supplied). If the application requires transformer mounted relays, etc., then transformer can be ordered with secondary leads configured in various ways (consult factory).



CATALOG NUMBER	CURRENT RATIO	VA FOR 1% CLASS	ANSI METERING CLASS AT 60 Hz					SECONDARY WINDING RESISTANCE (OHMS @ 75°C.)
			B0.1	B0.2	B0.5	B0.9	B1.8	
3P30-201	200:5	5	1.2	1.2	4.8	-	-	0.035
3P30-251	250:5	5	0.6	1.2	2.4	-	-	0.053
3P30-301	300:5	6	0.6	0.6	2.4	-	-	0.061
3P30-401	400:5	10	0.6	0.6	1.2	2.4	-	0.076
3P30-501	500:5	10	0.6	0.6	0.6	1.2	-	0.101
3P30-601	600:5	10	0.3	0.6	1.2	1.2	-	0.182
3P30-751	750:5	10	0.3	0.6	0.6	1.2	-	0.182
3P30-801	800:5	12.5	0.3	0.3	0.6	1.2	1.2	0.242
3P30-102	1000:5	12.5	0.3	0.6	1.2	-	-	0.280
3P30-122	1200:5	12.5	0.3	0.3	0.6	-	-	0.336
3P30-152	1500:5	12.5	0.3	0.3	0.6	0.6	-	0.419
3P30-162	1600:5	20	0.3	0.3	0.3	0.6	-	0.447
3P30-202	2000:5	20	0.3	0.3	0.3	0.3	-	0.704

CURRENT TRANSFORMER

Model 3P3

Window Diameter 0.97"

APPLICATION:

3 phase metering and other switchboard applications and for current to voltage conversion by use of a loading resistor as illustrated in the graph below and having low primary current input.

FREQUENCY:

50-400 Hz.

INSULATION LEVEL:

600 Volt, 10 kV BIL full wave.

REGULATORY AGENCY APPROVALS



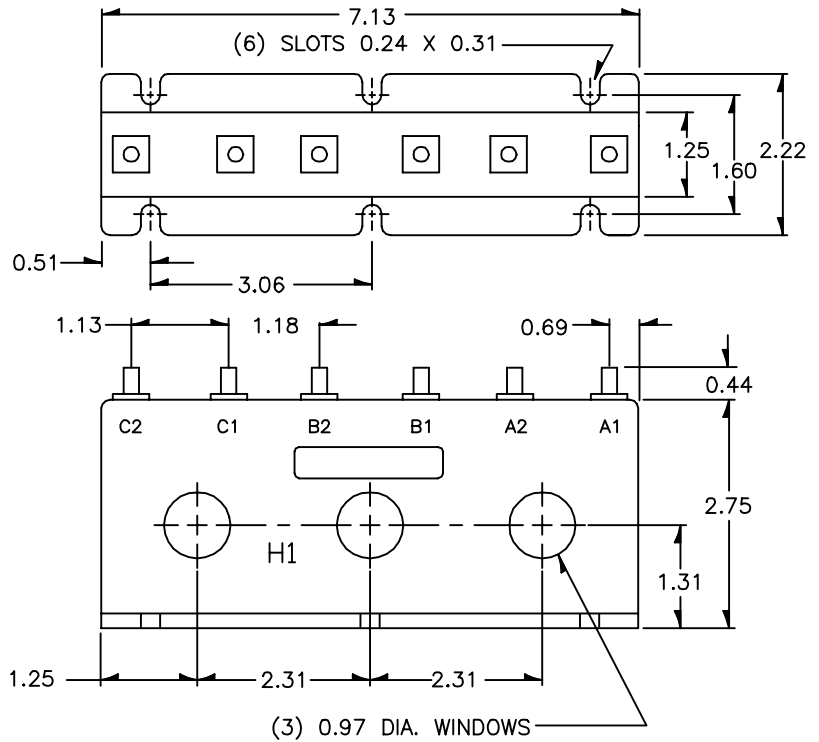
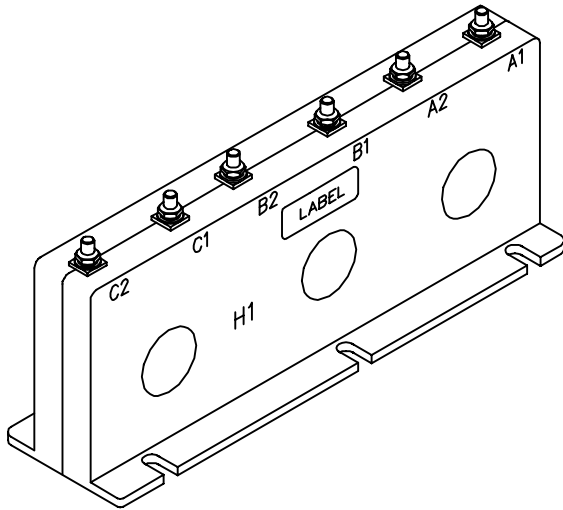
Manufactured to meet the requirements of ANSI/IEEE C57.13. Classified by U.L. in accordance with IEC 44-1

CONTINUOUS THERMAL CURRENT RATING FACTOR:

Models 3P3-500 - 3P3-301: 1.33 at 30°C amb., 1.0 at 55°C amb.

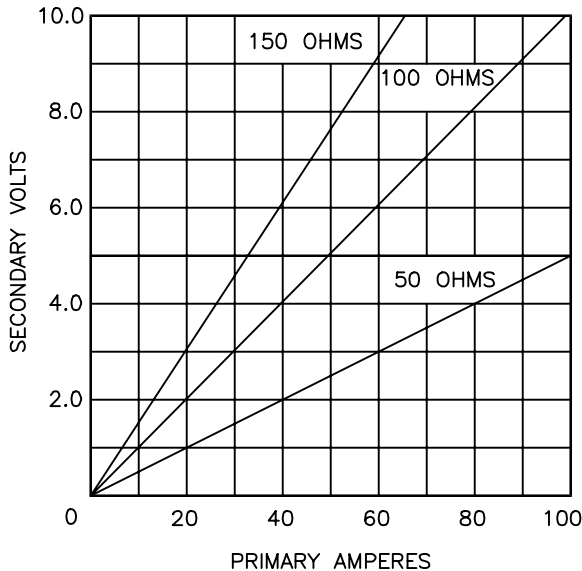
Model 3P3-1000T: 450A at 30°C amb., 300A at 55°C amb.

- Terminals are brass studs No.8-32 with one flatwasher, lockwasher and regular nut.
- Transformers can be ordered with secondary leads configured in various ways (consult factory).
- Load resistors may be mounted directly on terminals thus providing a "space saver" feature.
- Approximate weight 1.75 lbs.



The graph below illustrates voltage output capacity, and over the ranges shown, will maintain $\pm 3\%$ linearity.

3P3-1000T



CATALOG NUMBER	CURRENT RATIO	ACCURACY AT 60 Hz	BURDEN VA 60 Hz
3P3-500	50:5	$\pm 3\%$	2.0
3P3-600	60:5	$\pm 2\%$	2.0
3P3-750	75:5	$\pm 2\%$	2.0
3P3-800	80:5	$\pm 2\%$	2.0
3P3-101	100:5	$\pm 1\%$	2.0
3P3-121	120:5	$\pm 1\%$	2.5
3P3-1250	125:5	$\pm 1\%$	2.5
3P3-151	150:5	$\pm 1\%$	4.0
3P3-201	200:5	$\pm 1\%$	5.0
3P3-251	250:5	$\pm 1\%$	7.5
3P3-301	300:5	$\pm 1\%$	10.0
3P3-1000T	SEE PERFORMANCE GRAPH		

CURRENT TRANSFORMER

Model 3P18

Window Diameter 1.19"

APPLICATION:
3 phase metering and other switchboard applications.

FREQUENCY:
50-400 Hz.

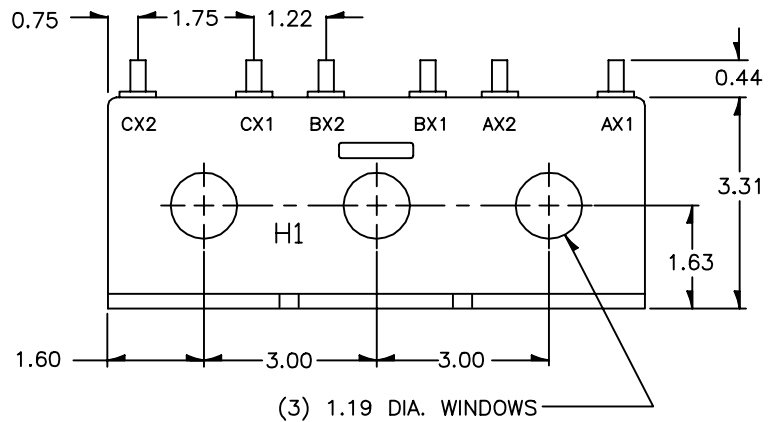
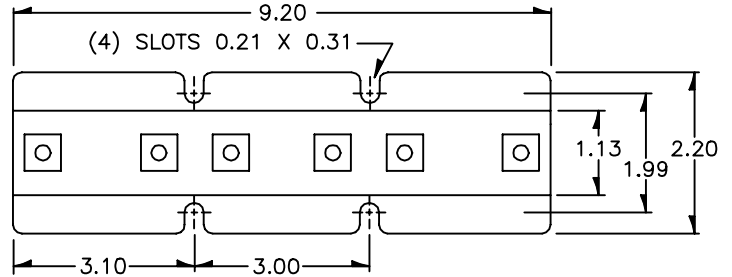
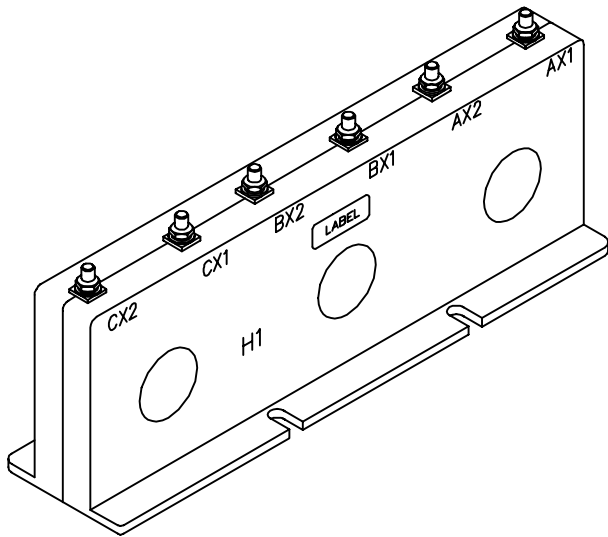
INSULATION LEVEL:
600 Volt, 10 kV BIL full wave.

- Terminals are brass studs No.8-32 with one flatwasher, lockwasher and regular nut.
- Transformers can be ordered with secondary leads configured in various ways (consult factory).
- Approximate weight 4.0 lbs.

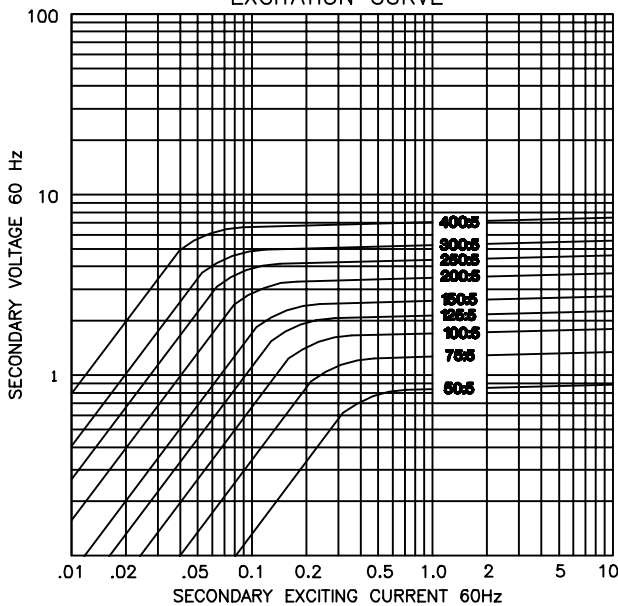
REGULATORY AGENCY APPROVALS



Manufactured to meet the requirements of ANSI/IEEE C57.13.
Classified by U.L. in accordance with IEC 44-1



EXCITATION CURVE



CATALOG NUMBER	CURRENT RATIO	VA FOR 1% CLASS	ANSI METERING CLASS AT 60 Hz					SECONDARY WINDING RESISTANCE (OHMS @ 75°C.)
			B0.1	B0.2	B0.5	B0.9	B1.8	
3P18-500	50:5	1	-	-	-	-	-	0.007
3P18-750	75:5	1.5	-	-	-	-	-	0.010
3P18-101	100:5	2.5	4.8	-	-	-	-	0.014
3P18-1250	125:5	3.5	2.4	4.8	-	-	-	0.018
3P18-151	150:5	5	1.2	2.4	-	-	-	0.021
3P18-201	200:5	7.5	0.6	1.2	2.4	4.8	-	0.028
3P18-251	250:5	10	0.6	1.2	2.4	2.4	-	0.035
3P18-301	300:5	12.5	0.6	0.6	1.2	2.4	-	0.043
3P18-401	400:5	15	0.3	0.6	1.2	1.2	2.4	0.057