



# NK Technologies



MADE IN  
USA

**ASO Series** Low-current Sensors are specialized current operated switches that combine an ultra-sensitive current transformer and signal conditioning electronics into a single package for sensing AC current from 3–350mA. Useful for signal or lamp status monitoring, detecting minute fault currents or fan proving, the ASO Series features solid-state outputs and jumper-selectable ranges, which make it a versatile choice for low-current status indication applications.

## ASO SERIES Current Operated Switches

### Applications

#### Fan Monitoring

- Fan status in heating and drying applications.
- Identify lamp outages or other malfunctions through changes in current consumption.

#### Fractional HP Motors

- Ideal for monitoring small motors used in critical applications, for example, fan-proving on a crucial cooling fan.

#### Fault Current Sensing

- Detects extremely low levels of current resulting from fault conditions.

### Features

#### Wide Range of Output Options

- Dependable, solid state switch N.O. or N.C. contacts rated at 240VAC or 30VDC.
- Compatible with most automation controllers.

#### Isolated Inputs and Outputs

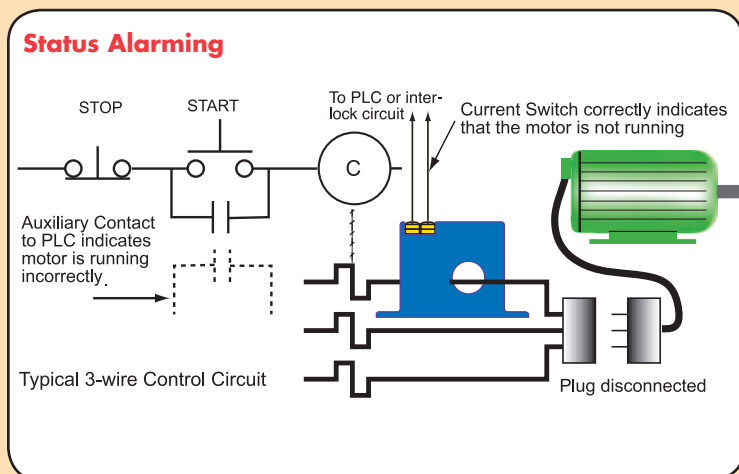
- Inductive sensing eliminates insertion loads on monitored circuits, effectively isolating it from the unit.
- Isolated outputs simplify wiring and enhance safety.

#### Adjustable Setpoints

- Setpoints are field adjustable from 3mA to 350mA, speeding installation and allowing for tailored applications.

#### UL, CUL and CE Approval

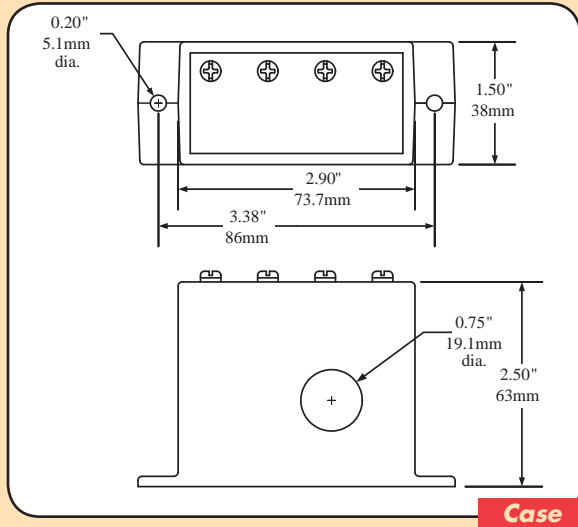
- Accepted worldwide.





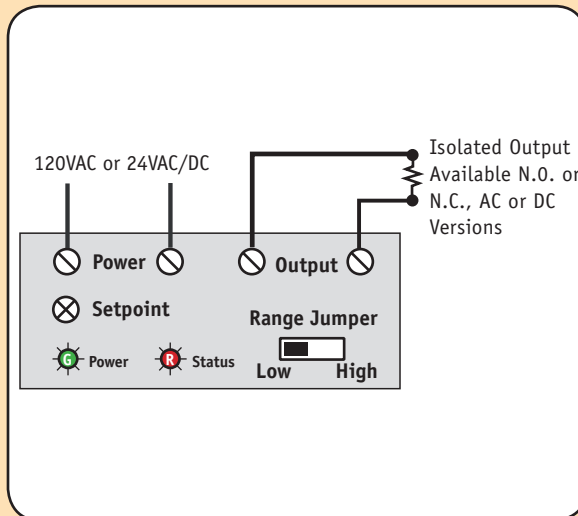
# NK Technologies

## Dimensions



Case

## Connections



### Notes:

Terminals are #6 screws.  
 Use up to 14AWG solid or stranded.  
 Power connections are not polarity sensitive.  
 DC output connections are polarity sensitive.

## Specifications

<b>Power Supply</b>	Operates from +/-20% of nominal voltages
<b>Nominal Voltages</b>	120VAC (50-400Hz) or 24VAC/DC
<b>Power Consumption</b>	2.5 Watts
<b>Output Rating</b>	<ul style="list-style-type: none"> <li>● AC Version: 1A @ 240VAC</li> <li>● DC Version: 0.15A @ 30VDC</li> </ul>
<b>Response Time</b>	<ul style="list-style-type: none"> <li>● 150 ms @ 5% above setpoint</li> <li>● 100 ms @ 50% above setpoint</li> </ul>
<b>Setpoint Range</b>	<ul style="list-style-type: none"> <li>● Low Range: 3-15mA Field Adjustable</li> <li>● High Range: 15-350mA Field Adjustable</li> </ul>
<b>Maximum Input</b>	10A
<b>Isolation Voltage</b>	600VAC (Monitored Circuit)
<b>Frequency Range</b>	50-400Hz (Monitored Circuit)
<b>Case</b>	UL94 V0 Flammability Rated
<b>Environmental</b>	-58 to 122°F (-20 to 50°C) 0-95%RH, non-condensing
<b>Listings</b>	UL Listed*, CSA Approved, CE Certified

\*Consult factory for UL Listed models.



## Ordering Information

Sample Model Number: AS0-NODC-120

Ultra low current sensor, normally open solid state DC output and 120VAC power supply.



### (1) Output Type

NCAC	Normally Closed, 1A @ 240VAC
NOAC	Normally Open, 1A @ 240VAC
NCDC	Normally Closed, 0.15A @ 30VDC
NODC	Normally Open, 0.15A @ 30VDC

### (2) Power Supply

24U	24VAC/DC
120	120VAC