



# NK Technologies



MADE IN USA

## AS3 SERIES Current Operated Switches

### Applications

#### Electronic Proof of Flow

- No need for pipe or duct penetrations.
- More reliable than electro-mechanical pressure or flow switches.

#### Conveyors

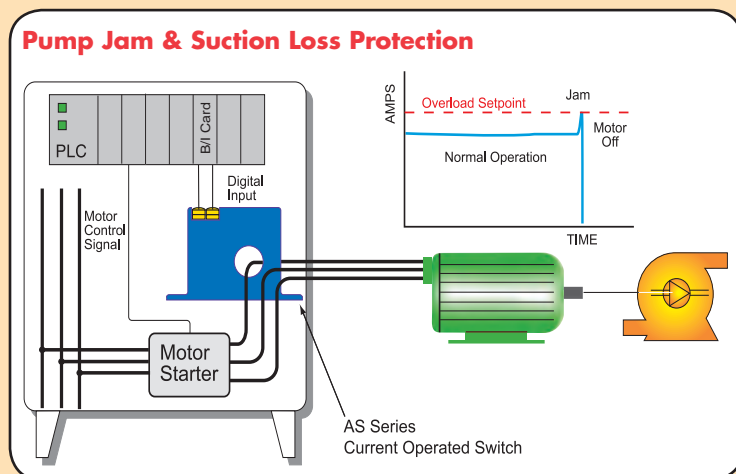
- Detects jams and overloads.
- Interlocks multiple conveyor sections.

#### Lighting Circuits

- Easier to install and more accurate than photocells.

#### Electrical Heaters

- Faster response than temperature sensors.



**AS3 Series** Current Operated Switches provide the same dependable indication of status offered by the AS1, but with the added benefit of increased setpoint accuracy. A choice of three, jumper-selectable input ranges allows the AS3 to be tailored to an application, providing more precise control through improved setpoint resolution. Self-powering, isolated solid-state outputs, 1–6A, 6–40A and 40–200A input ranges, and a choice of split- or solid-core enclosures are standard.

### Features

#### Choice of N.O. or N.C. Solid State Outputs

- 1A @ 240VAC, 0.15A @ 30VDC.
- 15A @ 120VAC (-15 model).
- 3A @ 120VAC output optional, consult factory.

#### Self-powered

- Cuts installation and operating costs.

#### Easily Adjustable Setpoint

- Speeds startup.

#### Solid or Split-core Case

- Choose the appropriate version for each installation.

#### LED Indicator

- Provides quick visual indication of contact status.

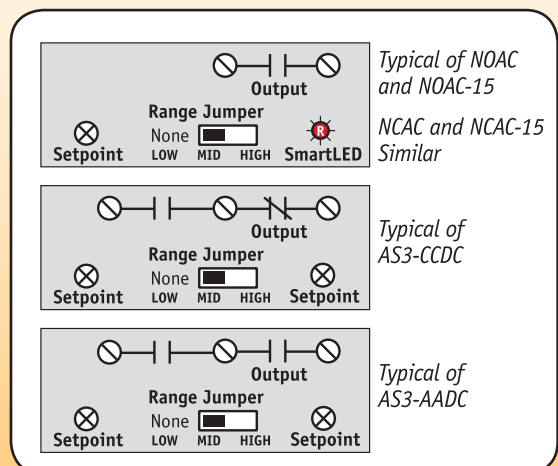
#### Built-in Mounting Feet

- Provides the secure installation inspectors require.

#### UL, CUL and CE Approval

- Accepted worldwide.

### Connections

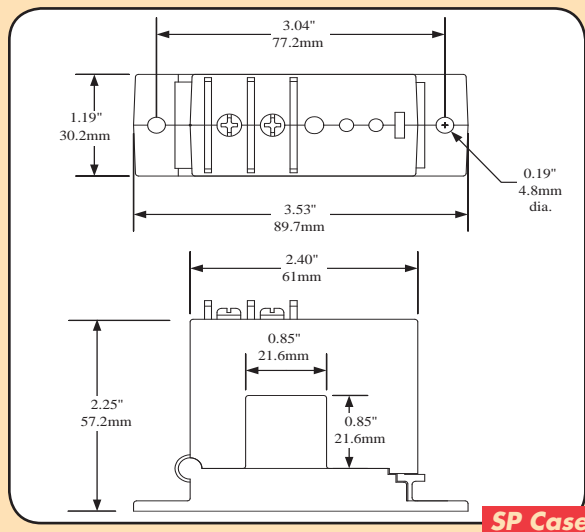
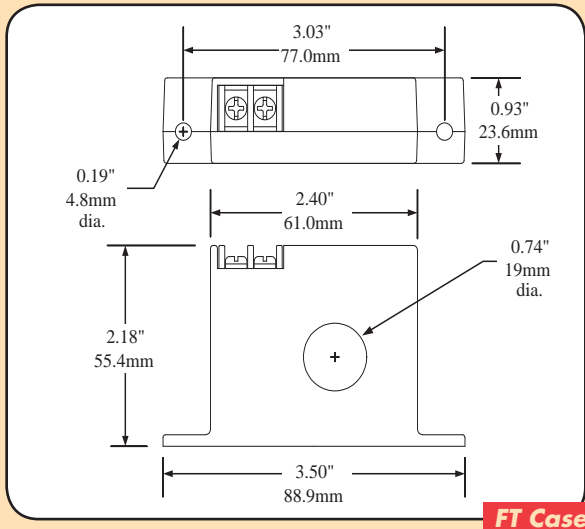
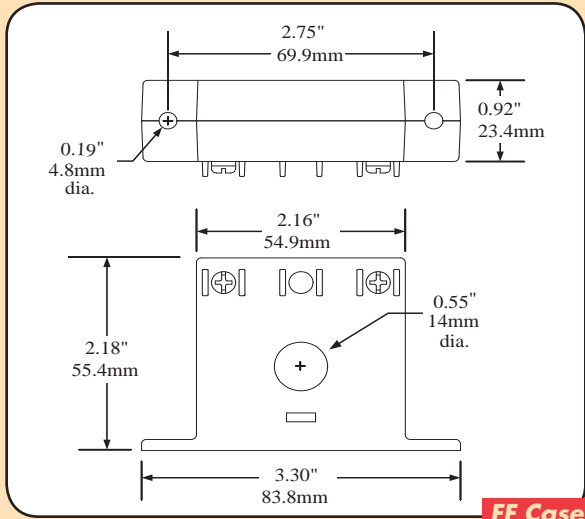


**Note:** Terminals are #6 screws.  
DC contacts are polarity sensitive.



# NK Technologies

## Dimensions



## Specifications

<b>Power Supply</b>	None—Self-powered		
<b>Output</b>	Isolated Solid-state Switch; Shared Common (CCDC)		
<b>Output Rating</b>	<ul style="list-style-type: none"> <li>● 1.0A @ 240VAC (Standard AC Units)</li> <li>● 0.15A @ 30VDC (Standard DC &amp; Multi-pole Units)</li> <li>● 15A @ 120VAC, 10A @ 240VAC (-15 Option)</li> </ul>		
<b>Off State Leakage</b>	<ul style="list-style-type: none"> <li>● NOAC: &lt;10µA</li> <li>● NCAC: 2.5mA</li> <li>● AADC: &lt;10µA</li> </ul>	<ul style="list-style-type: none"> <li>● NODC: &lt;10µA</li> <li>● NCDC: 1.4mA</li> <li>● CCDC: 0.3mA (NC Terminal)</li> </ul>	
<b>Response Time</b>	40–120ms		
<b>Setpoint Range</b>	<ul style="list-style-type: none"> <li>● Solid-core: 1–6, 6–40 &amp; 40–175A</li> <li>● Split-core: 1.75–6, 6–40 &amp; 40–200A</li> </ul>		
<b>Hysteresis</b>	Low: 0.15A, Mid: 0.3A, High: 0.9A		
<b>Overload</b>	Range	6 Sec	1 Sec
	<ul style="list-style-type: none"> <li>● 1–6A</li> <li>● 6–40A</li> <li>● 40–175A</li> </ul>	<ul style="list-style-type: none"> <li>● 400A</li> <li>● 500A</li> <li>● 800A</li> </ul>	<ul style="list-style-type: none"> <li>● 600A</li> <li>● 800A</li> <li>● 1,200A</li> </ul>
<b>Isolation Voltage</b>	UL Listed to 1,270VAC, tested to 5,000VAC		
<b>Frequency Range</b>	6–100Hz		
<b>Sensing Aperture</b>	<ul style="list-style-type: none"> <li>● -FF Case: 0.55" (14mm) dia.</li> <li>● -FT Case: 0.74" (19mm) dia.</li> <li>● -SP Case: 0.85" (21.6mm) sq.</li> </ul>		
<b>Case</b>	UL94 V0 Flamability Rated		
<b>Environmental</b>	-58 to 122°F (-20 to 50°C) 0–95% RH, non-condensing		
<b>Listings</b>	UL 508 Industrial Control Equipment (USA & Canada)*, CE		

\* UL listing for -FF and -SP models only.



## Ordering Information

Sample Model Number: AS3-NOAC-FF-NL

Adjustable AC current operated switch, normally open AC contacts, solid-core, without indicating LED.



### (1) Output Rating

NOAC	Normally Open, 1A @ 240VAC
NCAC	Normally Closed, 1A @ 240VAC
NODC	Normally Open, 0.15A @ 30VDC
NCDC	Normally Closed, 0.15A @ 30VDC
AADC	Dual, Normally Open, 30VDC (-FF only)
CCDC	"Super" Form C SPDT, 0.15A @ 30VDC (-FF only)

### (2) Case Style

FF	Solid-core, Front Term.
SP	Split-core
FT	Solid-core, Top Term.**

\*\*Available with 3A @ 120VAC output.

### (3) Options

NL	No LED
15	15A @ 120 VAC (-FF only)