



NK Technologies



MADE IN USA

ATP/ATPR 3 & 4 Series Powered High-Current Transducers are large-format solid-core transducers designed for high current applications from 200A to 2000A. Powered by 120VAC or 24VAC/VDC, these products take advantage of available power supplies and eliminate the need for costly control power transformers. Options include average responding and True RMS versions, 0-5/10VDC or 4-20mA analog outputs and switch-selectable input ranges.

ATP/ATPR 3 & 4 SERIES Current Transducers

Applications

Commercial and Industrial MCC's

- Fits conveniently in motor control centers, senses current on industrial motors and provides analog inputs back to PLC or controller.

VFD or SCR Controlled Loads, Electronic Ballasts

- Helpful in monitoring VFD-controlled motors to provide operational status. ATR Series also provides accurate measurement of ballast input power and phase angle fired SCRs.

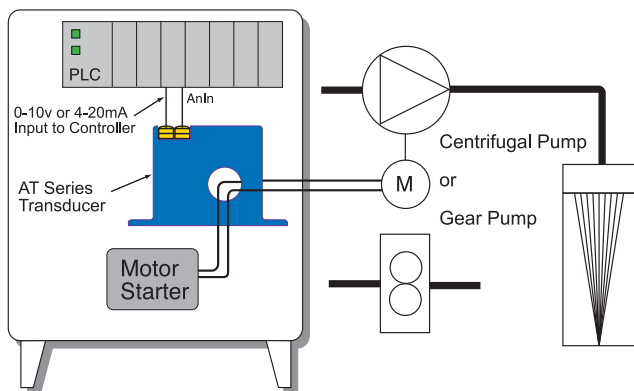
Large Pumping Applications

- Ideal for proof-of-flow in water/wastewater, boiler and other industrial pumping applications 150 HP and over. 120VAC or 24VAC/VDC supply options allow for powering off of readily available supply, eliminating need for CPTs.

Power Distribution Centers (PDCs)

- Monitors current output on commercial generation equipment and serves as a current input for use in power consumption calculations.

Centrifugal Pump Monitoring



Features

Large Aperture

- Accommodates large conductors or wire bundles.

Select the Right Output

- True RMS technology is accurate on distorted wave form like those associated with VFD or SCR outputs.
- Average Responding for use with linear, sinusoidal waveforms.

Jumper Selectable Ranges

- Reduces inventory.
- Eliminates zero and span pots.

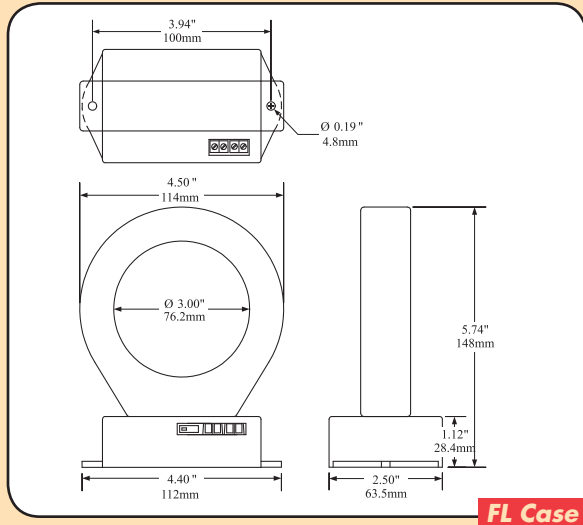
Isolation

- Output is magnetically isolated from the input for safety.
- Eliminates insertion loss (voltage drop).



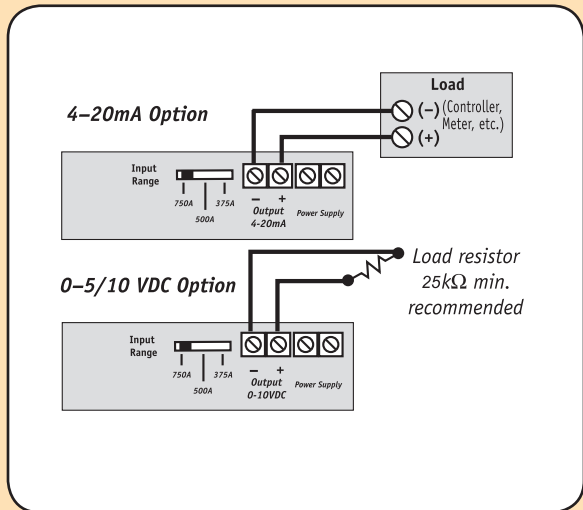
NK Technologies

Dimensions



FL Case

Connections



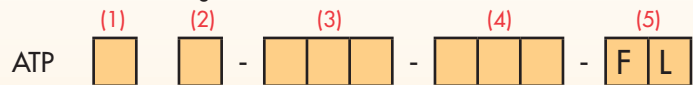
Notes: Terminals are deadfront captive screw terminals. Use 12-22 AWG solid or stranded.

Specifications

Model	-005 Model	-010 Model	-420Model
Output Signal	0–5VDC	0–10VDC	4–20mA
Output Limit	112% (5.6V)	112% (11.2V)	112% (22.4mA)
Loading	25K min.: VDC Models 500 max.: 4–20mA Models		
Response Time	100ms (10–90% step change)		
Frequency Range	<ul style="list-style-type: none"> ATP: 40–100Hz, Sinusoidal ATPR: 10–400Hz 		
Accuracy	1.0% FS		
Power Supply	120VAC or 24VAC/VDC, 2VA max		
Isolation Voltage	600VAC		
Input Ranges (switch selectable)	<ul style="list-style-type: none"> ATP3/ATPR3: 0–375A/500A/750A ATP4/ATPR4: 0–1000A/1333A/2000A 		
Sensing Aperture	3.0" (76.2mm) dia.		
Case	UL94 V0 Flammability Rated		
Environmental	5 to 122°F (-15 to 50°C) 0–95% RH, non-condensing		

Ordering Information

Sample Model Number: ATP3-420-120-FL
True RMS AC current transducer, 24VDC, powered with a 4–20mA output, 375/500/750A ranges in a fixed core case.



(1) Measurement

R	True RMS
	Average Responding (Blank)

(5) Case Style

FL	Solid-core
----	------------

(2) Full Scale Range

3	375–750A
4	1000–2000A

(3) Output Signal

005	0–5VDC
010	0–10VDC
420	4–20mA

(4) Power Supply

24U	24VAC/DC
120	120VAC