

MODEL TMPRT - SURFACE MOUNT AND PIPE PLUG RTD SENSORS



SURFACE MOUNT



PIPE PLUG

MODEL TMPRT - ADVANCED DESIGN SURFACE MOUNT RTD SENSOR

GENERAL DESCRIPTION

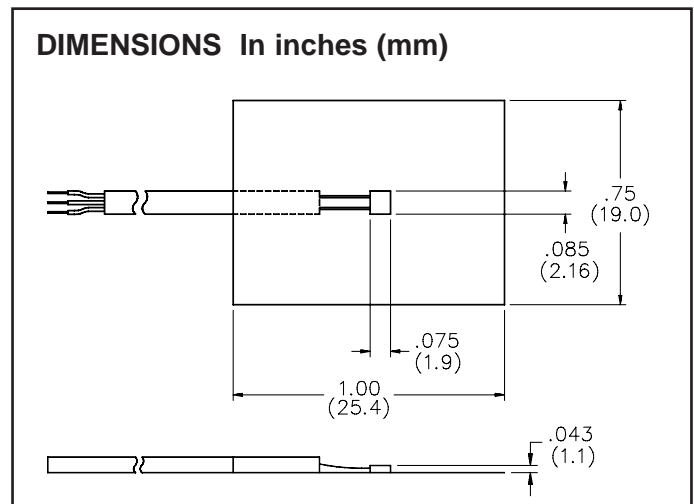
Model TMPRT "stick-on" style RTD temperature sensor mounts on flat surfaces and provides Class B accuracy for critical monitoring applications. Based on a bare 2 X 2 X 0.08 mm thin film platinum RTD, the unit is supplied in a Neoflon PFA insulated configuration and can be easily applied using its self-adhesive backing. Some of the applications of this versatile RTD sensor include monitoring chip, heat sink, and environmental temperatures in electronic devices; checking piping or ducting temperatures; monitoring motor and transformer core heat; testing insulation capabilities, as well as checking other applications in which surface and/or gradient temperatures need to be monitored and controlled.

- 100 Ω DIN CLASS B (± 0.12 % AT 0 °C) ACCURACY STANDARD
- EASY-INSTALLATION SILICONE BASED, SELF BACKING RATED TO 260 °C (500 °F)
- SENSOR CAN BE REAPPLIED
- STRIPPED 3 WIRE LEADS (CONNECTORS SOLD SEPARATELY)
- 10 FOOT LEAD LENGTH
- IDEAL FOR FLAT OR CURVED SURFACES

SPECIFICATIONS

1. **MINIMUM/MAXIMUM TEMPERATURE:**
-73 °C (-100 °F) to 260 °C (500 °F) continuous
2. **SENSING ELEMENT:** 100 Ω at 0 °C (32 °F)
Temperature coefficient of 0.00385 Ω/Ω/°C (IEC60751)
3. **ACCURACY:** ± 0.12% at 0 °C (DIN Class B)
4. **RESPONSE TIME:** Less than 0.9 sec (63% response time in water flowing at 3 feet per second), less than 2 sec response time on a hot plate.
5. **LEAD WIRE:** 10 foot 26 AWG stranded nickel plated copper, Neoflon PFA-insulated and jacket cable
6. **ADHESIVE PAD DIMENSIONS:** 1 x ¾" (25 X 19 mm)

DIMENSIONS In inches (mm)



ORDERING INFORMATION

MODEL NO.	DESCRIPTION	INSULATION TYPE	TERMINATION (COLD SIDE)	CABLE LENGTH (IN FEET)	PART NUMBER
TMPRT	SMT RTD	NEOFロン PFA	Stripped Wire Bare Ends	10	TMPRT001

MODEL TMPRT - PIPE PLUG RTD SENSOR

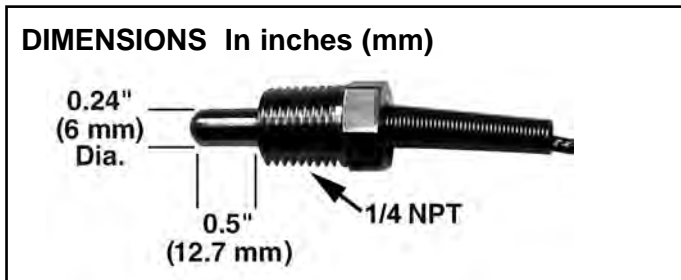
GENERAL DESCRIPTION

The pipe plug RTD sensor is a unit specially designed for use in pressure vessel applications. Its 3 wire construction provides connectivity to most hand held instruments with Red/Red/White per IE/ASTM-E-1137. The unit features a high accuracy 100 Ω Class A DIN platinum element and steel braided, Neoflon PFA insulated wires for the necessary durability and protection demanded by harsher environments.

- IDEAL FOR USE IN PRESSURE VESSEL APPLICATIONS, 172 BAR (2500 PSI) MAXIMUM
- 6 MM (0.24") DIAMETER, SST PROBE
- STEEL BRAIDED, NEOFロン PFA INSULATED LEAD WIRES
- HIGH ACCURACY 100 Ω CLASS A DIN PLATINUM ELEMENT (ALPHA = 0.00385)
- STRAIN RELIEF SPRING

SPECIFICATIONS

1. **WIRE:** 6' long 26 AWG insulated Neoflon PFA
2. **MAX TEMPERATURE:** 230 °C (450 °F)
3. **TERMINATION:** Stripped bare wire ends
4. **OVERBRAID:** Stainless Steel
5. **THREADS:** 1/4" NPT
6. **SENSING ELEMENT END DIAMETER:** 0.24" (6mm)



ORDERING INFORMATION

MODEL NO.	DESCRIPTION	CABLE LENGTH (IN FEET)	TERMINATION (COLD SIDE)	PART NUMBER
TMPRT	Pipe Plug RTD Sensor	6'	Stripped Bare Wire Ends	TMPRT002

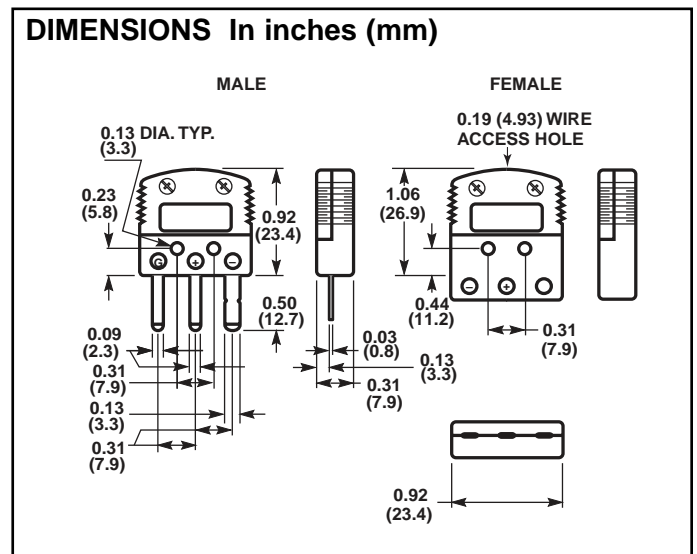
MODEL TMPCN - RTD PROBE CONNECTORS

GENERAL DESCRIPTION

RTD Mini Connectors are for use with RTD probes. They are miniature size, and are available in both male and female termination.

SPECIFICATIONS

1. **CONNECTOR BODY MATERIAL:** Glass Filled Nylon, for temperature ranges of -29 to 220 °C.
2. **CONNECTOR BODY COLOR:** White
3. **WIRE GAGE:** Accepts stranded or solid wire up to 20 AWG
4. **WIRE TERMINATION:** Combination Phillips/Slot Screws
5. **CONNECTOR ENDS:** Copper



ORDERING INFORMATION

MODEL NO.	DESCRIPTION	TYPE	TERMINATION	PART NUMBER
TMPCN	RTD Miniature Male Connector	U	Male	TMPCNM09
	RTD Miniature Female Connector	U	Female	TMPCNM10