



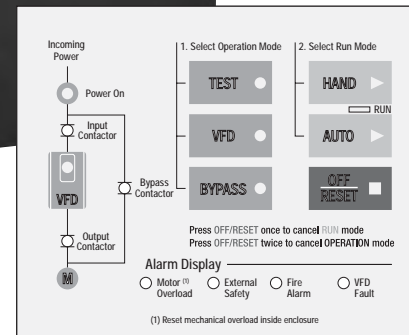
GP10^e

GP10 Electronic Bypass

- Precise Control for HVAC Applications
 - Pumps, Fans and Cooling Towers
- 3 Contactor Electronic Bypass
 - Bumpless Hand / Off / Auto Control
 - Fire Safety, Purge and Shutdown
 - Damper Control
 - Automatic Bypass on VFD Fault
- GP10 - Vector AC Drive
- Convenient, Low Cost Installation
- Soft Switching 4th Generation IGBT's
 - 50% Reduction in dv/dt
 - Reduced EMI/RFI Emissions
- NEMA 1, NEMA 1 P.P.B.F. or NEMA 3R Enclosure
- Advanced Energy Savings
- Low Harmonic Distortion
 - 3% Equivalent Reactor
- Anti-Windmilling / Smart Speed Search
- Motor Auto Tuning for Optimum Performance
 - Dynamic, Static and On Line
- Enhanced LED / LCD keypad with memory
 - VFD Diagnostic Display
 - VFD Maintenance Display
 - Copy / Paste / Compare Features
- 10°C to +50°C (+14°F to +122°F) Ambient
- VFD Serial Communication Options:
 - Modbus (Standard), Johnson Metasys
 - Siemens FLN, LonWorks
- Saflink

Saflink is an innovative tool designed for easy programming, troubleshooting and monitoring.

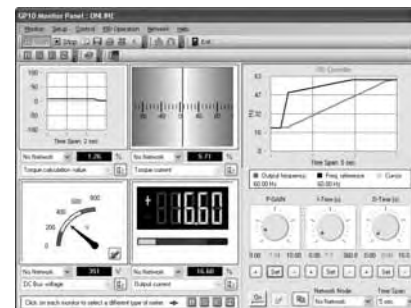
Please visit our Web site at www.saftronics.com and try out a demo version.



Electronic Bypass Control



Virtual Keypad



Monitor Panel with PID Tuner



FPC5010e

GP10 Electronic Bypass



208 V 150 HP

230 V 150 HP

460 V 800 HP

Horsepower

The FPC5010e is the latest advancement for the Safronics HVAC VFD/Bypass offering. The standard Hand-Off-Automatic pushbuttons allow for easy control during commissioning, operation and maintenance while a graphical bypass display gives the operator system status at a glance. An integral alarm display provides quick and concise diagnostic capabilities.

Programmable features include Fire mode (Stop or purge), Automatic transfer to bypass on VFD fault and Damper control mode. Programmable features are settable by DIP switch. No external programmer is necessary.

The FPC5010e offers the HVAC industry the best combination of size, cost and performance making it one of the best VFD values today.

The FPC5010e includes a Safronics' GP10 Vector AC drive with a standard 3% equivalent reactor offering exceptional efficiency with low harmonic distortion. Because the FPC5010e is pre-packaged in a NEMA 1, NEMA 1 forced vent or NEMA 3R ventilated enclosure, it allows low cost installation with minimum space requirements.

The FPC5010e is UL 508A approved and offers features commonly listed in many engineering specifications. Included in the package is Safronics' LED/LCD enhanced GP10 keypad for annunciation of drive faults and operating information, such as speed, current, load and KW.

The GP10 includes a comprehensive set of monitoring, maintenance and protective features, ensuring safe, efficient and reliable operation in the most demanding environments. The static, dynamic and on-line tuning of the GP10 offers accurate motor and drive performance and ensures motor operation at its peak efficiency, regardless of the load condition. The latest IGBT output section includes 4th generation soft switching technology that reduces EMI/RFI emissions and provides a 50% reduction in DV/DT. This allows for use of longer motor leads and eliminates the need for costly output filters and reactors.

FPC5010e OPTIONS

Disconnects	Input Circuit Breaker, Fused and Non-fused Disconnect
Protection	3% and 5% Input/Output Reactors, Input EMI/RFI Filters, Isolation Transformers
Serial Communication	MODBUS RTU 485 as Standard, MetaSys N2, LonWorks, Siemens FLN
Options Cards	Relay Output Card, 3-15 psi Pressure Transducer Card, Analog and Digital Interface cards

OTHER SAFRONICS HVAC PRODUCTS

S10	AC Drive
C10	Customizable AC Drive
GP10	Vector AC Drive
FPC510	Standard Drive with Disconnect
FPC5010e	GP10 Electronic Bypass
TowerPak	Cooling Tower Controller
HR1018	18 Pulse Harmonic Reduction Technology

To maintain maximum uptime and performance, Safronics offers the HVAC industry's only **24 hour / 7 day per week toll free emergency support**. The Safronics technical support team is available for trouble shooting assistance as well as weekend and holiday shipment of repair parts.