

**Type code (abstract)**

SK sensor capacitive, w/o amplifier  
 SKF sensor cap., w/o amplifier, flexible  
 SK1 sensor capacitive, self-contained  
 SV(D) sensor amplifier (dynamic)  
 SNG sensor power pack

HT### high temperature use  
 TM pulse modulation technique (High noise immune)

## / FS(A) max sensing distance / Fill-level switch (adaptive)

M30 model and/or dimension

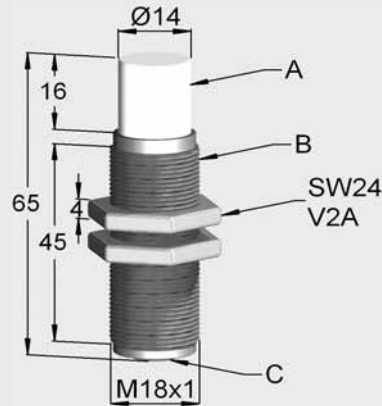
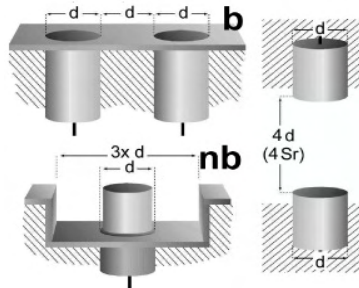
P output stage PNP, NPN, 2-wire AC/DC, X (switchable)

b mounting b=flush nb=non-flush

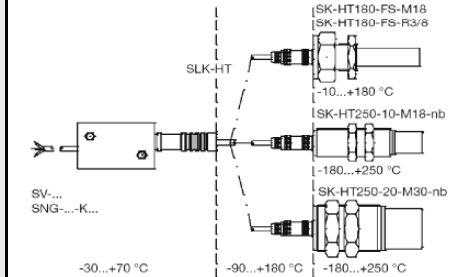
S S=N.O. Ö=N.C. X=function switchable

(c)PTFE Housing material, e.g. PTFE cPTFE=complete PTFE

1m2-Y2 cable & connector:  
 Y# = connector  
 1m2 = 1.2m cable length



**The capacitive high temperature sensors** are especially suitable for applications where the sensor head is exposed to a high ambient temperature, or comes directly into contact with hot materials. The units are used as fill level detectors in liquids and bulk goods, or as distance sensors for detecting block materials in hot surroundings.

**Application**


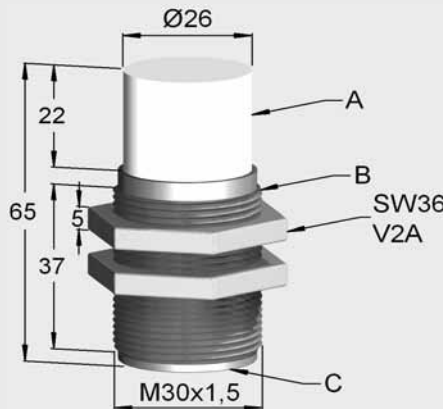
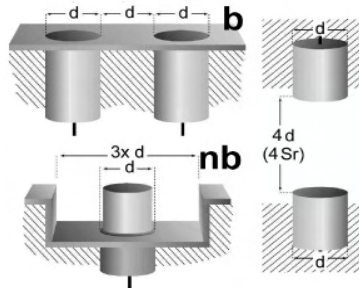
Sensors of the SK-HT series connected only via additional lead / triax FEP 2 m fix with integrated oscillator, **Type SLK-HT**, Art. No. 09007

| Typ / Type         | Nr./No. |
|--------------------|---------|
| SK-HT250-10-M18-nb | 09001   |

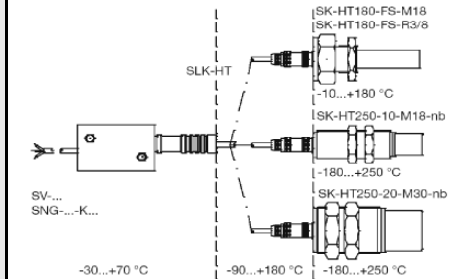
|                                    |                 |                                |
|------------------------------------|-----------------|--------------------------------|
| mounting [flush / nonflush]        | [ b / nb ]      | nb                             |
| operating distance                 | Sd [mm]         | 1... 10                        |
| Hysteresis                         | H [%Sr]         | 15                             |
| frequency of operating cycles      | f [Hz]          |                                |
| repeat accuracy                    | R [%Sr]         | 2                              |
| Operating temperature range        | [°C]            | -180... 250                    |
| temperature drift [range]          | [%Sr] [°C]      |                                |
| protection class (EN 60529)        |                 | IP 66 / IP 54                  |
| rated insulation voltage           | Ui [V]          |                                |
| material of housing                |                 | A: PTFE; B: V2A; C: PTFE/MS/Cr |
| utilisation category               |                 |                                |
| connection                         |                 | SLK-HT                         |
| supply voltage range UB            | UB [V]          |                                |
| no-load supply current             | Io [mA]         |                                |
| minimum operational current        | Im [mA]         |                                |
| operational current                | Ie [mA]         |                                |
| off-state current                  | Ir [mA]         |                                |
| voltage drop [50mA/ Ie]            | Ud [V]          |                                |
| time delay before availability     | tv [ms]         |                                |
| Indicator [UB / Output]            |                 |                                |
| Short circuit- overload-protection |                 |                                |
| Reverse polarity Protection        |                 |                                |
| Conformity                         | EMC EEC-direct. | IEC 60947-5-2 : 2000           |
| EMC                                |                 |                                |
| associated equipment               |                 | SLK-HT                         |
| additional functionality           |                 |                                |
| Application                        |                 |                                |

**Type code (abstract)**

SK sensor capacitive, w/o amplifier  
 SKF sensor cap., w/o amplifier, flexible  
 SK1 sensor capacitive, self-contained  
 SV(D) sensor amplifier (dynamic)  
 SNG sensor power pack  
 HT### high temperature use  
 TM pulse modulation technique (High noise immune)  
 ## / FS(A) max sensing distance / Fill-level switch (adaptive)  
 M30 model and/or dimension  
 P output stage PNP, NPN, 2-wire AC/DC, X (switchable)  
 b mounting **b**=flush **nb**=non-flush  
 S **S**=N.O. **Ö**=N.C. **X**=function switchable  
 (c)PTFE Housing material, e.g. **PTFE**  
**cPTFE**=complete PTFE  
 1m2-Y2 cable & connector:  
 Y# = connector  
 1m2 = 1.2m cable length



**The capacitive high temperature sensors** are especially suitable for applications where the sensor head is exposed to a high ambient temperature, or comes directly into contact with hot materials. The units are used as fill level detectors in liquids and bulk goods, or as distance sensors for detecting block materials in hot surroundings.

**Application**


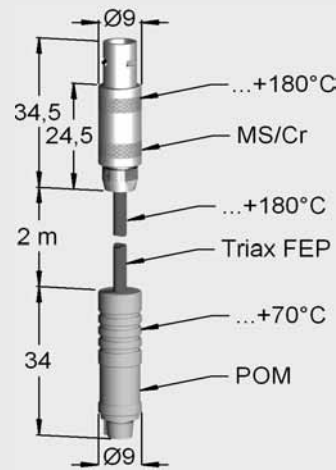
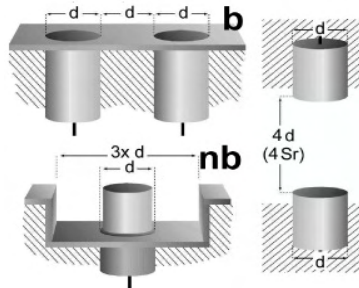
Sensors of the SK-HT series connected only via additional lead / triax FEP 2 m fix with integrated oscillator, **Type SLK-HT**, Art. No. 09007

| Typ / Type         | Nr./No. |
|--------------------|---------|
| SK-HT250-20-M30-nb | 09002   |

|                                    |                 |                                |
|------------------------------------|-----------------|--------------------------------|
| mounting [flush / nonflush]        | [ b / nb ]      | nb                             |
| operating distance                 | Sd [mm]         | 1... 20                        |
| Hysteresis                         | H [%Sr]         | 15                             |
| frequency of operating cycles      | f [Hz]          |                                |
| repeat accuracy                    | R [%Sr]         | 2                              |
| Operating temperature range        | [°C]            | -180...250                     |
| temperature drift [range]          | [%Sr] [°C]      |                                |
| protection class (EN 60529)        |                 | IP 66 / IP 54                  |
| rated insulation voltage           | Ui [V]          |                                |
| material of housing                |                 | A: PTFE; B: V2A; C: PTFE/MS/Cr |
| utilisation category               |                 |                                |
| connection                         |                 | SLK-HT                         |
| supply voltage range UB            | UB [V]          |                                |
| no-load supply current             | Io [mA]         |                                |
| minimum operational current        | Im [mA]         |                                |
| operational current                | Ie [mA]         |                                |
| off-state current                  | Ir [mA]         |                                |
| voltage drop [50mA/ Ie]            | Ud [V]          |                                |
| time delay before availability     | tv [ms]         |                                |
| Indicator [UB / Output]            |                 |                                |
| Short circuit- overload-protection |                 |                                |
| Reverse polarity Protection        |                 |                                |
| Conformity                         | EMC EEC-direct. | IEC 60947-5-2 : 2000           |
| EMC                                |                 |                                |
| associated equipment               |                 | SLK-HT                         |
| additional functionality           |                 |                                |
| Application                        |                 |                                |

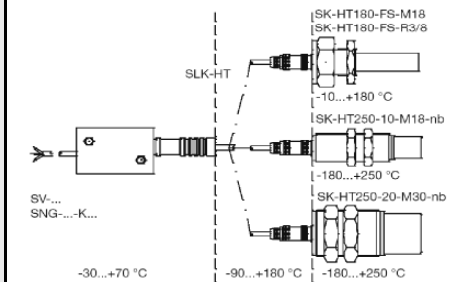
Type code (abstract)

- SK sensor capacitive, w/o amplifier
- SKF sensor cap., w/o amplifier, flexible
- SK1 sensor capacitive, self-contained
- SV(D) sensor amplifier (dynamic)
- SNG sensor power pack
- HT### high temperature use
- TM pulse modulation technique (High noise immune)
- ## / FS(A) max sensing distance / Fill-level switch (adaptive)
- M30 model and/or dimension
- P output stage PNP, NPN, 2-wire AC/DC, X (switchable)
- b mounting b=flush nb=non-flush
- S S=N.O.  $\bar{O}$ =N.C. X=function switchable
- (c)PTFE Housing material, e.g. PTFE cPTFE=complete PTFE
- 1m2-Y2 cable & connector: Y# = connector 1m2 = 1.2m cable length



**The capacitive high temperature sensors** are especially suitable for applications where the sensor head is exposed to a high ambient temperature, or comes directly into contact with hot materials. The units are used as fill level detectors in liquids and bulk goods, or as distance sensors for detecting block materials in hot surroundings.

**Application**



Sensors of the SK-HT series connected only via additional lead / triax FEP 2 m fix with integrated oscillator, Type SLK-HT, Art. No. 09007

| Typ / Type | Nr./No. |
|------------|---------|
| SLK-HT     | 09007   |

|                               |              |
|-------------------------------|--------------|
| mounting [flush / nonflush]   | [ b / nb ]   |
| operating distance            | Sd [mm]      |
| Hysteresis                    | H [%Sr]      |
| frequency of operating cycles | f [Hz]       |
| repeat accuracy               | R [%Sr]      |
| Operating temperature range   | [-10...70]   |
| temperature drift [range]     | [%Sr] [°C]   |
| protection class (EN 60529)   | IP 54        |
| rated insulation voltage      | Ui [V]       |
| material of housing           |              |
| utilisation category          |              |
| connection                    | 2m Triax FEP |

|                                    |         |
|------------------------------------|---------|
| supply voltage range UB            | UB [V]  |
| no-load supply current             | Io [mA] |
| minimum operational current        | Im [mA] |
| operational current                | Ie [mA] |
| off-state current                  | Ir [mA] |
| voltage drop [50mA/ Ie]            | Ud [V]  |
| time delay before availability     | tv [ms] |
| Indicator [UB / Output]            |         |
| Short circuit- overload-protection |         |
| Reverse polarity Protection        |         |

|            |                 |                      |    |
|------------|-----------------|----------------------|----|
| Conformity | EMC EEC-direct. | IEC 60947-5-2 : 2000 | CE |
|------------|-----------------|----------------------|----|

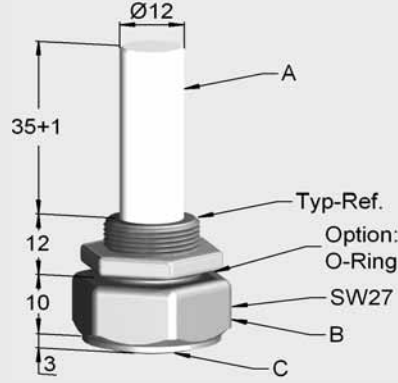
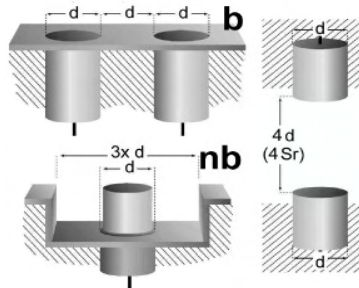
|                      |                            |            |  |
|----------------------|----------------------------|------------|--|
| EMC                  |                            |            |  |
| associated equipment | SV-; SNG-...-K & SL-YA-m20 | SL-YAZA-3m |  |

|                          |  |  |  |
|--------------------------|--|--|--|
| additional functionality |  |  |  |
|--------------------------|--|--|--|

|             |  |  |  |
|-------------|--|--|--|
| Application |  |  |  |
|-------------|--|--|--|

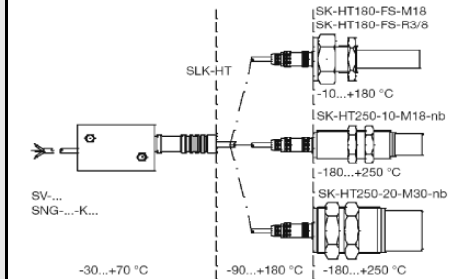
## Type code (abstract)

SK sensor capacitive, w/o amplifier  
 SKF sensor cap., w/o amplifier, flexible  
 SK1 sensor capacitive, self-contained  
 SV(D) sensor amplifier (dynamic)  
 SNG sensor power pack  
 HT### high temperature use  
 TM pulse modulation technique (High noise immune)  
 ## / FS(A) max sensing distance / Fill-level switch (adaptive)  
 M30 model and/or dimension  
 P output stage PNP, NPN, 2-wire AC/DC, X (switchable)  
 b mounting b=flush nb=non-flush  
 S S=N.O. Ö=N.C. X=function switchable  
 (c)PTFE Housing material, e.g. PTFE cPTFE=complete PTFE  
 1m2-Y2 cable & connector:  
 Y# = connector  
 1m2 = 1.2m cable length



**The capacitive high temperature sensors** are especially suitable for applications where the sensor head is exposed to a high ambient temperature, or comes directly into contact with hot materials. The units are used as fill level detectors in liquids and bulk goods, or as distance sensors for detecting block materials in hot surroundings.

## Application



Sensors of the SK-HT series connected only via additional lead / triax FEP 2 m fix with integrated oscillator, Type SLK-HT, Art. No. 09007

| Typ / Type       | Nr./No. |
|------------------|---------|
| SK-HT180-FS-M18  | 09008   |
| SK-HT180-FS-R3/8 | 09009   |

|                                    |                 |                                |
|------------------------------------|-----------------|--------------------------------|
| mounting [flush / nonflush]        | [ b / nb ]      | nb                             |
| operating distance                 | Sd [mm]         |                                |
| Hysteresis                         | H [%Sr]         |                                |
| frequency of operating cycles      | f [Hz]          |                                |
| repeat accuracy                    | R [%Sr]         |                                |
| Operating temperature range        | [°C]            | -10... 180                     |
| temperature drift [range]          | [%Sr] [°C]      |                                |
| protection class (EN 60529)        |                 | IP 68 (6 bar max) / IP 54      |
| rated insulation voltage           | Ui [V]          |                                |
| material of housing                |                 | A: PTFE; B: V2A; C: PTFE/MS/Cr |
| utilisation category               |                 |                                |
| connection                         |                 | SLK-HT                         |
| supply voltage range UB            | UB [V]          |                                |
| no-load supply current             | Io [mA]         |                                |
| minimum operational current        | Im [mA]         |                                |
| operational current                | Ie [mA]         |                                |
| off-state current                  | Ir [mA]         |                                |
| voltage drop [50mA/ Ie]            | Ud [V]          |                                |
| time delay before availability     | tv [ms]         |                                |
| Indicator [UB / Output]            |                 |                                |
| Short circuit- overload-protection |                 |                                |
| Reverse polarity Protection        |                 |                                |
| Conformity                         | EMC EEC-direct. | IEC 60947-5-2 : 2000           |
| EMC                                |                 |                                |
| associated equipment               |                 | SLK-HT                         |
| additional functionality           |                 |                                |
| Application                        |                 |                                |