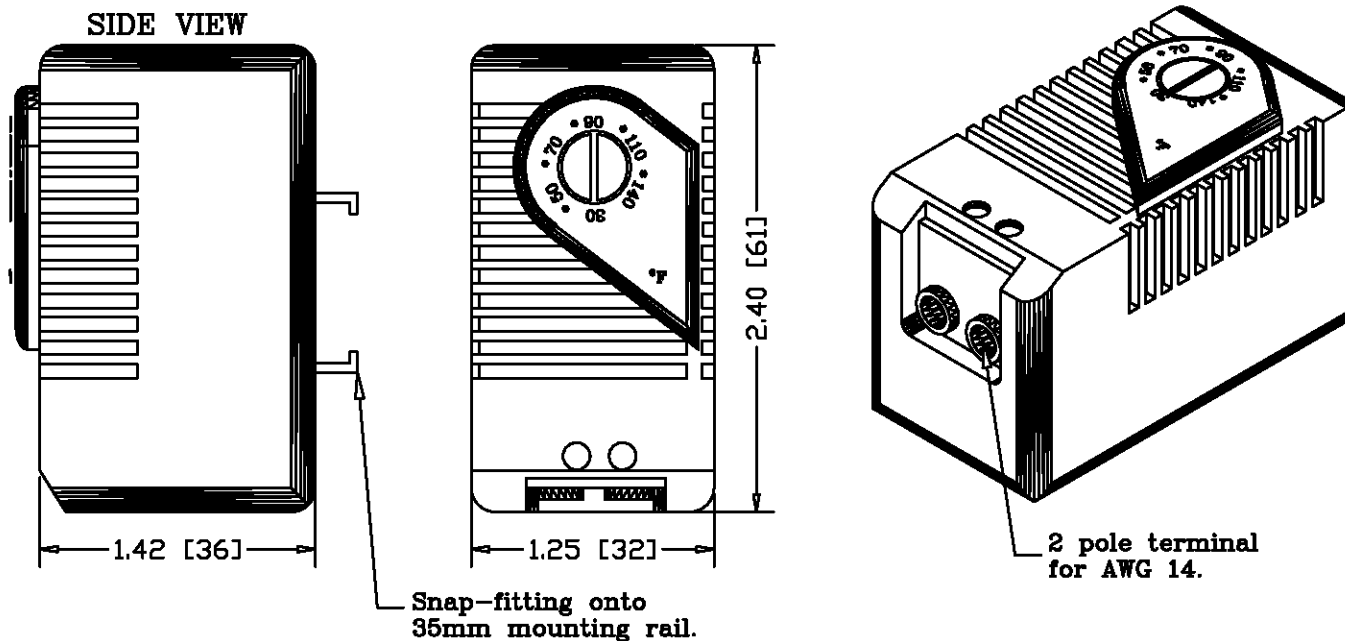


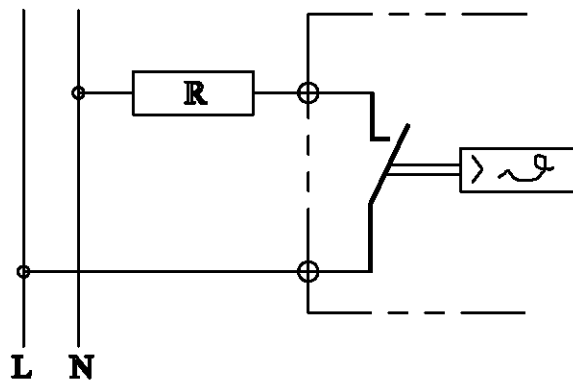
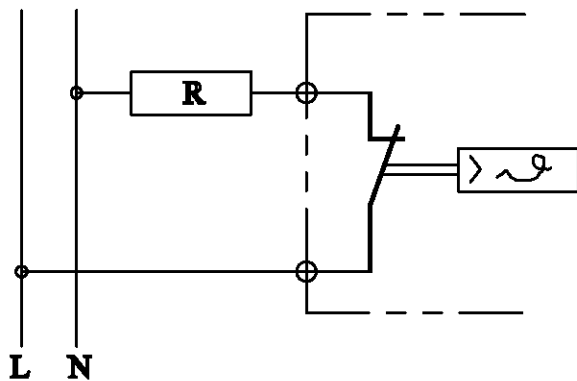
THERMOSTAT

SCE-TEMNC & SCE-TEMNO



Adjustment button: red
 Switching function: NCC
 (snap-action)

Adjustment button: BLUE
 Switching function: NOC
 (snap-action)



	VAC	SWITCH CAPACITY	TEMP RANGE	CONTACT
SCE-TEMNC	120-250	10 AMP RESISTIVE LOAD 1 AMP AC INDUCTIVE LOAD.	30-140F	NORMALLY CLOSED
SCE-TEMNO	120-250	10 AMP RESISTIVE LOAD 1 AMP AC INDUCTIVE LOAD.	30-140F	NORMALLY OPEN