

## Enviroline® Series Trough Junction Enclosures

### Application -

Designed to house electrical controls, instruments and components used in an indoor or outdoor environment to provide a degree of protection for the equipment inside the enclosure against ingress of solid foreign objects (falling dirt); and provide a degree of protection with respect to the harmful effects on the equipment due to the ingress of water (rain, sleet, snow). For installation information, consult our Installation Manual at Saginaw website.

### Construction -

- 0.063 carbon steel.
- Seams continuously welded and ground smooth.
- Flange trough collar around all sides of door opening
- Oil-resistant gasket
- Standoffs provided for mounting optional panels
- Removable hinges.
- Doors open 180 degrees
- Black mini quarter turn latches
- Latches are opened or closed with a screwdriver
- Sealing washers and hole plugs included
- Ground stud on door and body
- Mounting holes in back
- Mounting feet included.
- Padlocking or keylocking latches, and tamper-resistant hardware is available.

### Finish -

Ansi -61 gray powder coating inside and out. Optional panels are powder coated white.

### IS2 - Industry Standards -

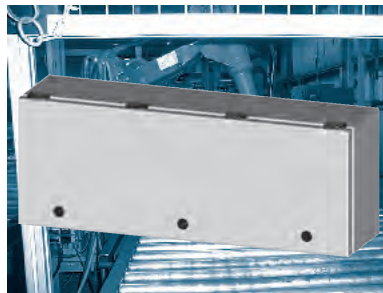
NEMA Type 4, 12 & Type 13  
UL Listed Type 4 & 12  
CSA Type 4 & 12  
IEC 60529 IP66

## ENVIROLINE® SERIES TROUGH JUNCTION ENCLOSURES

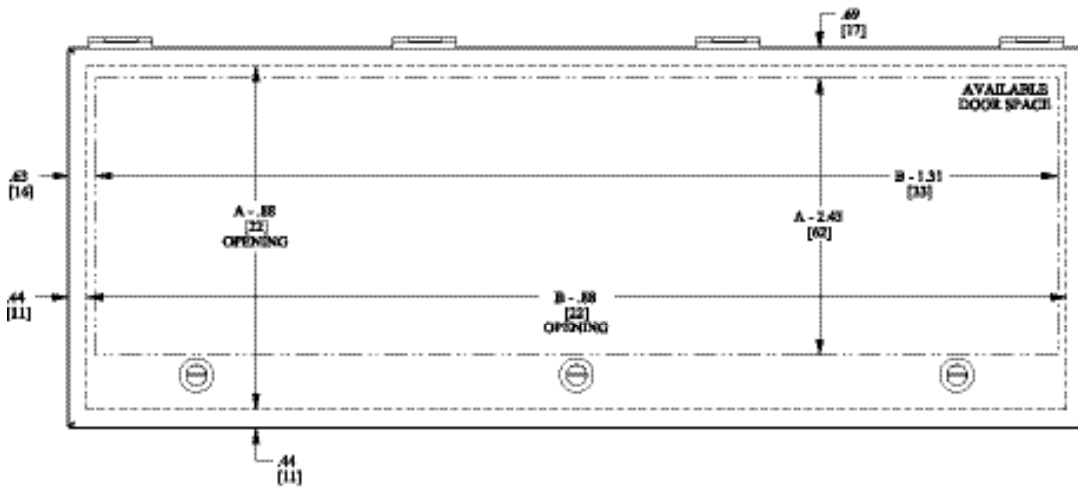
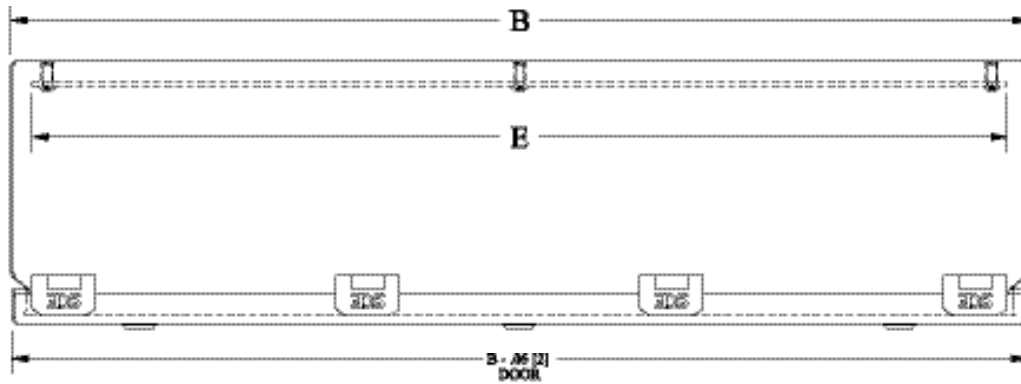
ENCLOSURE PRODUCT CODE E1					SUB-PANEL (P3)		
Catalog No.	Height (A)	Width (B)	Depth (C)	Industry Standard	Catalog No.	Panel Height (D)	Panel Width (E)
⚡ SCE-L9126ELJ	9.00	12.00	6.00	IS2	SCE-9P12L	8.00	11.00
⚡ SCE-L9186ELJ	9.00	18.00	6.00	IS2	SCE-9P18L	8.00	17.00
⚡ SCE-L9246ELJ	9.00	24.00	6.00	IS2	SCE-9P24L	8.00	23.00
⚡ SCE-L9306ELJ	9.00	30.00	6.00	IS2	SCE-9P30L	8.00	29.00
⚡ SCE-L9366ELJ	9.00	36.00	6.00	IS2	SCE-9P36L	8.00	35.00

⚡ Available within 10 working days if not in stock

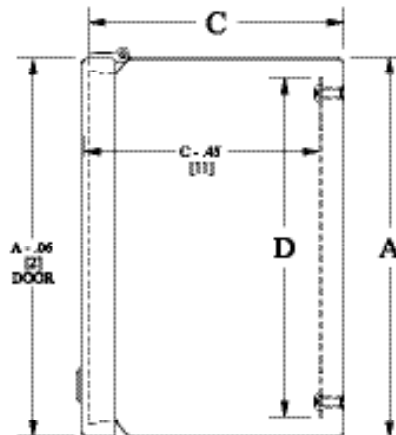
*\*Note: Normal discount rates may not apply. Consult your local Distribution Center.*



# ENVIROLINE® SERIES TROUGH JUNCTION ENCLOSURES TECHNICAL DATA



- LATCH NOTES:**
1. One latch centered on the door horizontally if width is  $\leq 14.00$  [356]
  2. Two latches located 3.00 [76] from sides of door if width is  $> 14.00$  [356]
  3. An additional latch is centered horizontally if width is  $> 20.00$  [508]



## Enviroline® Series Trough Junction Enclosures with Viewing Window

### Application -

Designed to house electrical controls, instruments and components used in an indoor or outdoor environment to provide a degree of protection for the equipment inside the enclosure against ingress of solid foreign objects (falling dirt); and provide a degree of protection with respect to the harmful effects on the equipment due to the ingress of water (rain, sleet, snow). For installation information, consult our Installation Manual at Saginaw website.

### Construction -

- 0.063 carbon steel.
- Seams continuously welded and ground smooth.
- Flange trough collar around all sides of door opening
- Large viewing windows
- Oil-resistant gasket
- Standoffs provided for mounting optional panels
- Removable hinges.
- Viewing Window
- Doors open 180 degrees
- Black mini quarter turn latches
- Latches are opened or closed with a screwdriver
- Sealing washers and hole plugs included
- Ground stud on door and body
- Mounting holes in back
- Mounting feet included.
- Padlocking or keylocking latches, and tamper-resistant hardware is available

### Finish -

Ansi -61 gray powder coating inside and out. Optional panels are powder coated white.

### IS2 - Industry Standards -

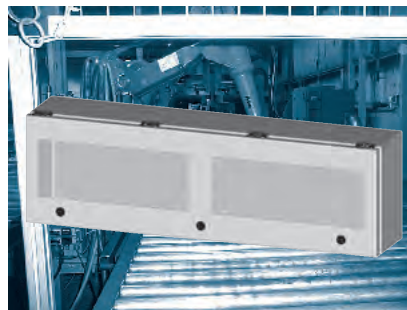
NEMA Type 4, 12 & Type 13  
UL Listed Type 4 & 12  
CSA Type 4 & 12  
IEC 60529 IP66

## ENVIROLINE® SERIES TROUGH JUNCTION ENCLOSURES WITH VIEWING WINDOW

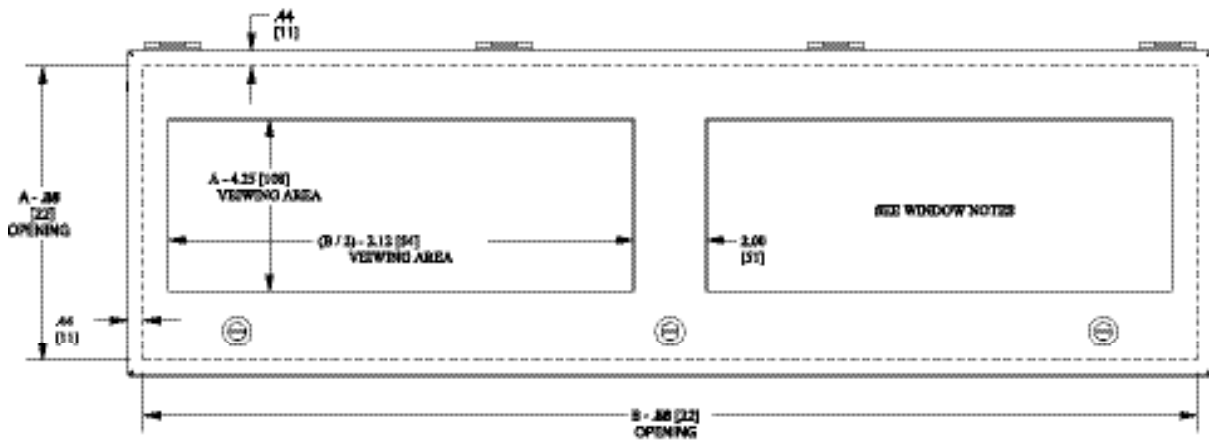
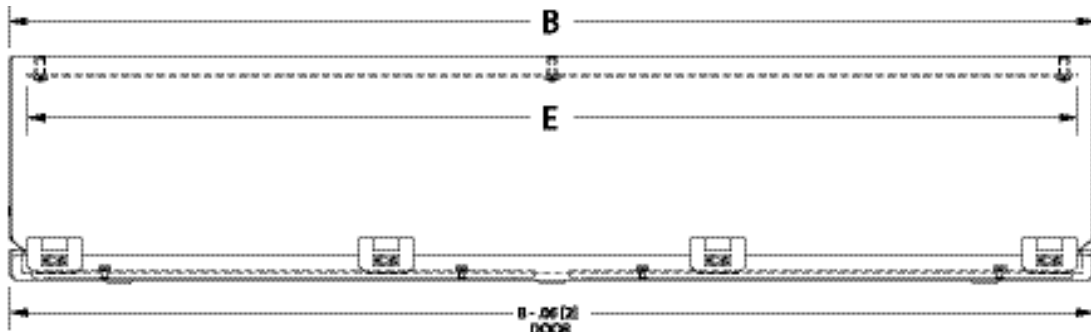
ENCLOSURE PRODUCT CODE					SUB-PANEL PRODUCT CODE P3		
Catalog No.	Height (A)	Width (B)	Depth (C)	Industry Standard	Catalog No.	Panel Height (D)	Panel Width (E)
⚡ SCE-L9126ELJW	9.00	12.00	6.00	IS2	SCE-9P12L	8.00	11.00
⚡ SCE-L9186ELJW	9.00	18.00	6.00	IS2	SCE-9P18L	8.00	17.00
⚡ SCE-L9246ELJW	9.00	24.00	6.00	IS2	SCE-9P24L	8.00	23.00
⚡ SCE-L9306ELJW	9.00	30.00	6.00	IS2	SCE-9P30L	8.00	29.00
⚡ SCE-L9366ELJW	9.00	36.00	6.00	IS2	SCE-9P36L	8.00	35.00

⚡ Available within 10 working days if not in stock

*\*Note: Normal discount rates may not apply. Consult your local Distribution Center.*



# ENVIROLINE® SERIES TROUGH JUNCTION ENCLOSURES WITH VIEWING WINDOW TECHNICAL DATA



- LATCH NOTES:**
1. One latch centered on the door horizontally if width is  $\leq 14.00$  [356]
  2. Two latches located 3.00 [76] from sides of door if width is  $> 14.00$  [356]
  3. An additional latch is centered horizontally if width is  $> 29.00$  [508]

- WINDOW NOTES:**
1. Door has a single window when viewing area width is  $\leq 16.00$  [406]
  2. Door has two windows if viewing area width would be  $> 16.00$  [406] for a single window.

