

# Beacon Tower Flasher

## FS & FA Series

### Solid State Flasher



- Zero Voltage Switching - Up to 10 Times Longer Lamp Life
- No RFI Caused by Contacts Closing
- High Inrush Capability - Up to 200 A
- RF Model for AM Hot Towers & Other High RF Installations
- Auxiliary Units for Synchronous Flashing or Constant Line Loading

Approvals: (FS155 & FA155 Models Only)

#### Description

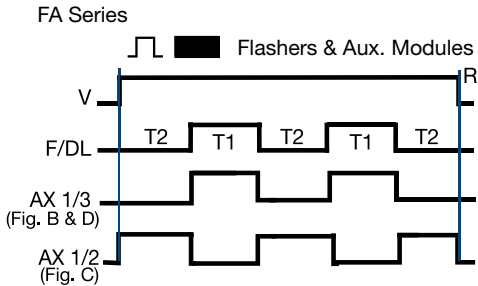
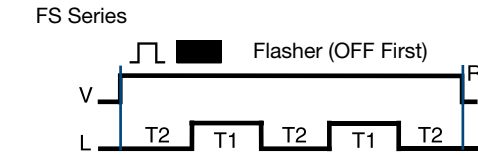
B-KON Flashers have proven their reliability through years of use on Communication Towers, Smoke Stacks, Cooling Towers, Tall Buildings, Bridges and Utility Towers. The highest quality components are encapsulated in a rugged plastic housing with a molded-in heat transfer plate. The flash rate, ratio, and fail-safe design meet FAA regulations. Zero voltage switching can increase lamp life up to ten times. The FS155-30RF & FS165-30RF include superior RF Filtering Circuitry for use in high RF installations; including AM Hot Towers.

#### Operation

Upon application of input voltage, the T2 OFF time begins. At the end of the OFF time, the T1 ON time begins and the load energizes. At the end of T1, T2 begins and the load de-energizes. This cycle repeats until voltage is removed.

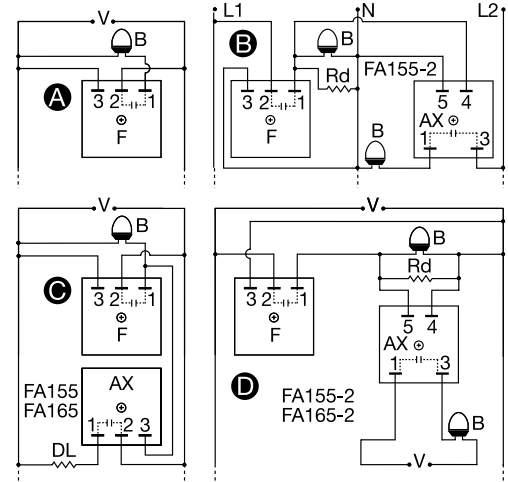
**Reset:** Removing input voltage resets the output and the sequence to T2.

#### Function



V = Voltage L = Load T1 = ON Time  
T2 = OFF Time R = Reset  
T1 ≅ T2

#### Connection



- F = Flasher (FS155-30T, FS155-30RF, FS165-30T, FS165-30RF)
  - AX = Auxiliary Unit
  - B = Beacon
  - DL = Dummy Load for Constant Line Loading
  - Rd = 3.3 KΩ @ 5 W for 120 V AC  
8.5 KΩ @ 5 W for 230 V AC
- Dashed lines are internal connections.

#### Available Models-

- FS155-30RF
- FS155-30T
- FS165-30T
- FA155
- FA155-2
- FA155-3
- FA165-2

**Don't see what you need? Call us for a minimum quantity and price quote!**

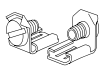
#### Ordering Table

Input	Wattage	Inrush	Description	Part Number
120 V AC	2500 W	200 A	For High RF Radiation locations including AM Hot Towers	FS155-30RF
120 V AC	2500 W	200 A	Standard Flasher	FS155-30T
230 V AC	5000 W	200 A	For High RF Radiation locations including AM Hot Towers	FS165-30RF
230 V AC	5000 W	200 A	Standard Flasher	FS165-30T
120 V AC	2500 W	200 A	Auxiliary unit for synchronous operating of additional beacons	FA155-2
120 V AC	3000 W	300 A	Auxiliary unit with optical isolation between input and load contacts	FA155-3
230 V AC	5000 W	200 A	Auxiliary unit for synchronous operating of additional beacons	FA165-2
120 V AC	2500 W	200 A	Auxiliary unit to provide constant line loading	FA155
230 V AC	5000 W	200 A	Auxiliary unit to provide constant line loading	FA165

#### Accessories



Female quick connect P/N's:  
P1015-13 (AWG 10/12)  
P1015-64 (AWG 14/16)  
P1015-14 (AWG 18/22)



Quick connect to screw adaptor P/N: P1015-18

See accessory pages for specifications.

# Beacon Tower Flasher

## FS & FA Series

### Solid State Flasher

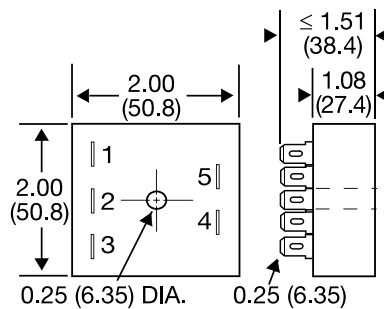
Tower &  
obstruction  
lighting

#### Technical Data

<b>Specifications</b>	
Operation	Single & multiple beacon flashing with auxiliary modules
Flash Rate (FS Series Only)	30 +/-10 flashes per minute
ON/OFF Ratio (FS Series Only)	50% ... 67% ON time; 33% ... 50% OFF time
<b>Input</b>	
Voltage	120 or 230 V AC +/-20%
Frequency	50 ... 60 Hz
<b>Output</b>	
Output Rating (Zero Voltage Switching)	2500 W at 120 V AC; 5000 W at 230 V AC
Inrush Current	200 A peak for 1 cycle of AC line
<b>Mechanical</b>	
Mounting*	Surface mount with one #10 (M5 x 0.8) screw
Termination	0.25 in. (6.35 mm) male quick connect terminals
<b>Protection</b>	
Circuitry	Encapsulated
<b>Environmental</b>	
Operating Temperature	-40°C ... +65°C
Storage Temperature	-40°C ... +85°C
Humidity	95% relative, non-condensing
Weight	≅ 3.9 oz (111 g)

\* **Note:** Must be mounted to metal surface using the included heat sink compound. The maximum mounting surface temperature is 90° C.

#### Mechanical View



Inches (Millimeters)

#### Note:

Terminal # 2 is not included on FA155-2, FA165-2.  
Terminal # 4 & # 5 are not included on all others.