

Dedicated
timers

Recycling (Pulse Generator)

RS Digi-Set Timing Module

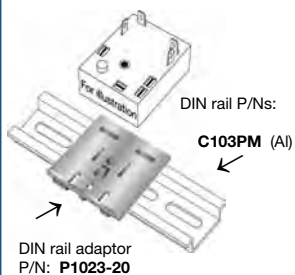
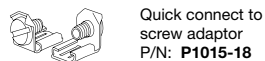
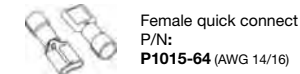


5

- Accurate, Reliable Recycling Timer
- Switch Settable Time Delays - Both Times Adjustable
- +/-0.1% Repeat Accuracy
- +/-2% Setting Accuracy
- 0.1 s ... 1023 h in 4 Ranges
- 12 ... 230 V in 5 ranges
- 1 A Solid State Output
- Totally Solid State and Encapsulated

Approvals:

Accessories



See accessory pages for specifications.

Description

The RS Series is a solid state, encapsulated, recycling timer designed for tough industrial environments. It is used by many testing labs as a life cycle tester; by others as a cycle controller. The RS Series has separate DIP switch adjustments for the ON delay and the OFF delay. These make possible accurate adjustment the first time and every time. Time Delays of 0.1 seconds to 1023 hours are available in 4 ranges.

Operation (ON Time First)

Upon application of input voltage, the output energizes and the T1 ON time begins. At the end of the ON time, the output de-energizes and the T2 OFF time begins. At the end of the OFF time, the output energizes and the cycle repeats as long as input voltage is applied.

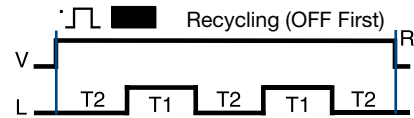
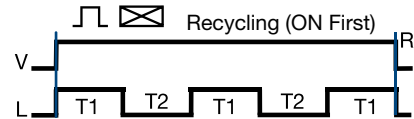
Reset: Removing input voltage resets the output and time delays, and returns the sequence to the ON time.

Operation (OFF Time First)

Upon application of input voltage, the T2 OFF time begins. At the end of the OFF time, the output energizes and the T1 ON time begins. At the end of the ON time, the output de-energizes and the cycle repeats as long as input voltage is applied.

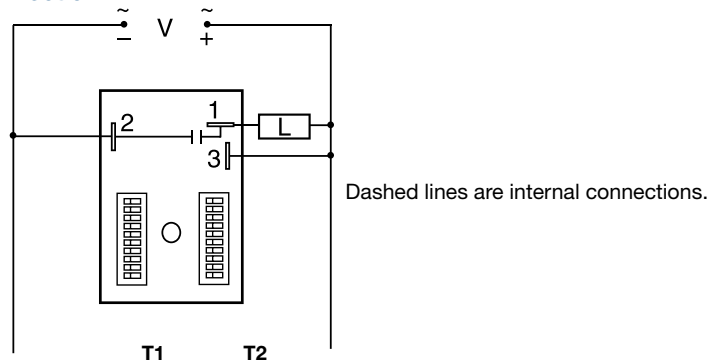
Reset: Removing input voltage resets the output and time delays, and returns the sequence to the OFF time.

Function



V = Voltage L = Load R = Reset
T1 = ON Time T2 = OFF Time

Connection



Available Models-

•RS1A11	RS1A12	RS1A22
RS1A33	RS1A44	RS1B12
RS2A22	RS2B44	RS3A11
•RS4A11	•RS4A12	•RS4A13
•RS4A22	•RS4A23	•RS4A24
•RS4A33	RS4B12	RS4B23
RS6A13	RS6A22	

Don't see what you need? Call us for a minimum quantity and price quote!

Ordering Table

RS Series	X Input	X Operating Sequence	X T1 ON Time	X T2 OFF Time
	-1 - 12 V DC	-A - ON Time First	-1 - 0.1 ... 102.3 s in 0.1 s increments	-1 - 0.1 ... 102.3 s in 0.1 s increments
	-2 - 24 V AC	-B - OFF Time First	-2 - 0.1 ... 102.3 m in 0.1 m increments	-2 - 0.1 ... 102.3 m in 0.1 m increments
	-3 - 24 V DC		-3 - 1 ... 1023 m in 1 m increments	-3 - 1 ... 1023 m in 1 m increments
	-4 - 120 V AC		-4 - 1 ... 1023 h in 1 h increments	-4 - 1 ... 1023 h in 1h increments
	-6 - 230 V AC			

Example P/N: RS4A23, RS6B14

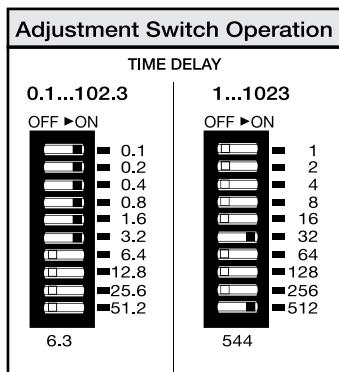
Recycling (Pulse Generator) RS Digi-Set Timing Module

Dedicated
timers

Technical Data

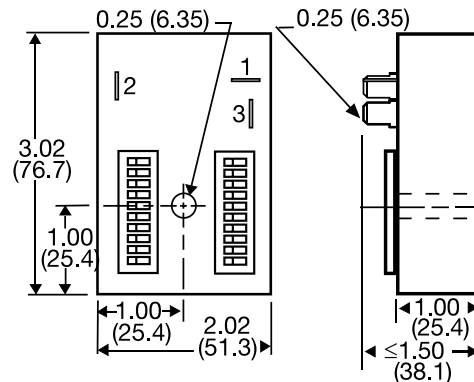
Time Delay Range*	0.1 ... 102.3 s in 0.1 s increments 0.1 ... 102.3 m in 0.1 m increments 1 ... 1023 m in 1 m increments 1 ... 1023 h in 1 h increments	*For CE approved applications, power must be removed from the unit when a switch position is changed.
Repeat Accuracy	+/-0.1% or 20 ms, whichever is greater	
Setting Accuracy	≤ +/-2% or 20 ms, whichever is greater	
Reset Time	≤ 150 ms	
Time Delay vs Temperature & Voltage	≤ +/- 2%	
Input		
Voltage	12, or 24 V DC; 24, 120, or 230 V AC	
Tolerance	+/-20%	
Line Frequency	50 ... 60 Hz	
DC Ripple	≤ +/-10%	
Power Consumption	AC ≤ 2 VA; DC ≤ 1 W	
Output		
Type	Solid state	
Maximum Load Current	1 A steady state, 10 A inrush at 60°C	
OFF State Leakage Current	AC ≅ 5 mA at 230 VAC; DC ≅ 1 mA	
Voltage Drop	AC ≅ 2.5 V at 1 A; DC ≅ 1 V at 1 A	
Protection		
Circuitry	Encapsulated	
Dielectric Breakdown	≥ 2000 V RMS terminals to mounting surface	
Insulation Resistance	≥ 100 MΩ	
Polarity	DC units are reverse polarity protected	
Mechanical		
Mounting	Surface mount with one #10 (M5 x 0.8) screw	
Package	3 x 2 x 1.5 in (76.7 x 51.3 x 38.1 mm)	
Termination	0.25 in. (6.35 mm) male quick connect terminals	
Environmental		
Operating Temperature	-40°C ... +75°C	
Storage Temperature	-40°C ... +85°C	
Humidity	95% relative, non-condensing	
Weight	≅ 3.9 oz (111 g)	

5



Add the value of switches in the ON position for the total time delay.

Mechanical View



Inches (Millimeters)