

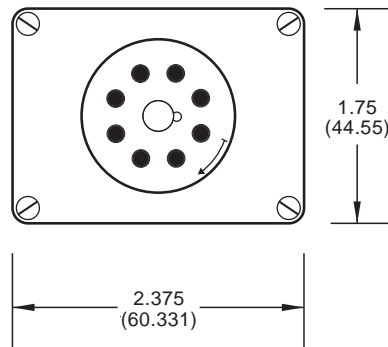
Seal Leak Detector – 8-pin plug-in

Model 201-100-SLD

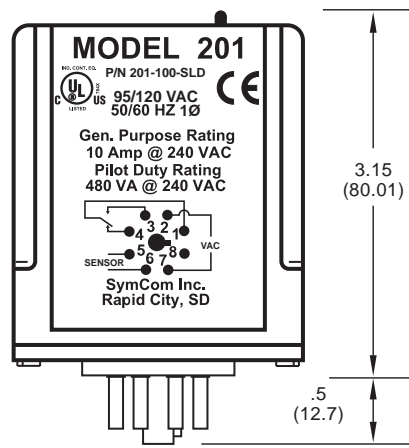


The MotorSaver® Model 201-100-SLD is an 8-pin plug-in style seal leak detector to sense seal failures on submersible pumps. The unit plugs into an OT08-PC or RB08-PC octal socket (sold separately).

When the unit is powered and the resistance from the probe is greater than the sensitivity control level, the internal relay contacts change state. As water leaks into the motor seal, the resistance measured by the probe decreases. When the resistance drops below the sensitivity control level, the unit will trip and the relay contacts will change back to their original state.



BOTTOM



SIDE



Specifications

Functional Specifications	
Sensitivity	4.7K-100k Ω
Input Characteristics	
Supply Voltage Frequency	110/120VAC 50/60Hz
Output Characteristics	
Output Contact Rating-SPDT	480VA@240VAC Pilot Duty 10A@240VAC General Purpose
General Characteristics	
Operating Temperature	-40° to 70° C (-40° to 158° F)
Power Consumption	5 Watts (max.)
Relative Humidity	10-95%, non-condensing per IEC 68-2-3
Class of Protection	NEMA 1
Terminals	
Wire Size	Solid or Stranded 12 - 22 AWG
Torque	6 in.-lbs. (OT08-PC Octal Socket)
Standards Passed	
Electrostatic Discharge (ESD)	IEC1000-4-2, Level 3, 6kV contact, 8kV air
Radio Frequency Immunity, Radiated	159 MHz, 10V/m
Fast Transient Burst	IEC 1000-4-4, Level 3, 3.5kV input power and controls
Surge	
IEC	IEC 1000-4-5, Level 3, 4kV line-to-line; Level 4, 4kV line-to-ground
ANSI/IEEE	C62.41 Surge and Ring Wave Compliance to a level of 6kV line-to-line
Hi-Potential Test	Meets UL508 (2 x rated V + 1000 V for 1 minute)
Safety Marks	
UL	UL508 (OT08-PC or RB08-PC octal socket required)
CE	IEC 60947-6-2
Dimensions	2.38" L x 1.75" W x 3.15" H
Weight	9 oz.
Mounting Methods	Plugs into 8-pin octal socket (mount socket with screws or on DIN rail)

How to order:

Part Number: 201-100-SLD

