

Single-Phase Voltage Monitor

Model 201-XXX-SP-DPDT



Features:

- Low voltage protection
- Two isolated Form C relays (DPDT)
- Diagnostic LED
- UL508 Listed
- CE Marked
- 8-pin plug in; DIN rail or surface mount
- 5-year warranty
- Made in the USA

The 201-xxx-SP-DPDT is an 8-pin octal-base, plug-in voltage monitor designed to protect single-phase motors regardless of size. The 201-100-SP-DPDT is used on 95-120VAC, 50/60Hz motors to prevent damage caused by low voltage. The 201-200-SP-DPDT is used on 190-240VAC, 50/60Hz motors. The units feature two isolated sets of contacts that are ideal for use with two control circuits with different voltages.

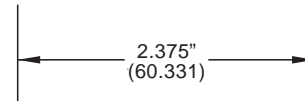
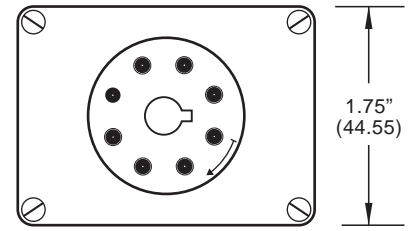
The unique microcontroller-based voltage and voltage-sensing circuit constantly monitors the voltage to detect harmful power line conditions. When a harmful condition is detected, the MotorSaver's output relays are deactivated after a specified trip delay. The output relays reactivate after power line conditions return to an acceptable level and a specified amount of time has elapsed (restart delay). The trip delay prevents nuisance tripping due to rapidly fluctuating power line conditions.



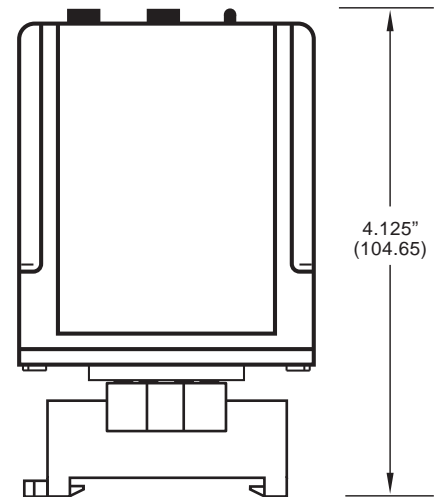
Specifications

Functional Characteristics	
Adjustments/Settings	
Low Voltage (% of setpoint)	
Trip	90% ±1%
Reset	93% ±1%
Trip Delay Times	
Low voltage	4 seconds
Restart Delay Times	
After a fault	2 seconds
After a complete power loss	2 seconds
Input Characteristics	
Supply Voltage	
201-100-SP-DPDT	95-120VAC
201-200-SP-DPDT	190-240VAC
Frequency	50/60 Hz (note: 50Hz will increase all delay timers by 20%)
Output Characteristics	
Output Contact Rating - DPDT	
Pilot Duty	480VA @ 240VAC
General Purpose	10A @ 240VAC
General Characteristics	
Operating Temperature (Surrounding Air)	-40° to 70° C (-40° to 158° F)
Maximum Input Power	5 W
Relative Humidity	10-95%, non-condensing per IEC 68-2-3
Terminal Torque	12 in.-lbs.
Wire Gauge	12-22 AWG Solid or stranded
Standards Passed	
Electrostatic Discharge (ESD)	IEC 61000-4-2, Level 3, 6kV contact, 8kV air
Radio Frequency Immunity (RFI), Radiated	150MHz, 10V/m
Fast Transient Burst	IEC 61000-4-4, Level 3, 3.5 kV input power and controls
Surge Immunity	
IEC	IEC 61000-4-5, Level 3, 4kV line-to-line; Level 4, 4kV line-to-ground
ANSI/IEEE	C62.41 Surge and Ring Wave Compliance to a level of 6kV line-to-line
Hi-potential Test	Meets UL508 (2 x rated V + 1000V for 1 minute)
Safety Marks	
UL listed (OT08 octal socket required)	UL508 (File #E68520)
CE	IEC 60947-6-2
Dimensions	1.75"H x 2.375"W x 4.125"D (with socket)
Weight	9 oz.
Mounting Method	Plugs into 8-Pin OT08 Socket (DIN rail or surface mount)

Enclosure Dimensions



BOTTOM



**SIDE
WITH OT08* SOCKET**

How to order:

Part Number: 201-100-SP-DPDT
201-200-SP-DPDT

