

Alarm Controller/Battery Charger

Model ACBC-120



Features:

- Controls 12VDC alarm circuit (strobe light and/or horn)
- Maintains 12VDC battery charge (fast charge mode and maintenance mode)
- Trip delay timer
- Battery fault detection and reverse polarity protection
- LED indicates unit's status
- Press-to-test capability
- UL Listed
- CE Marked
- 5-year warranty
- Made in USA

SymCom's Model ACBC-120 is a dual purpose alarm controller/battery charging unit. When there is a loss of 120VAC power, the ACBC-120's primary function as an alarm controller activates. When this power loss occurs, input power is switched to a 12VDC, lead-acid, rechargeable backup battery and a 12VDC alarm consisting of a strobe light and/or a horn is activated. The horn follows a 2 second on/2 second off pattern with a "horn silence" option to turn the sound off. An LED indicator on the unit also signals that the device has entered the alarm mode.

When 120VAC input is present the alarm circuit can be tested and the unit's secondary function as a 12VDC backup battery charger is activated. In fast charge mode, the unit has the capability to source up to 100mA of charging current. However, the device normally charges at a current of 14mA in maintenance mode. The alarm circuit can be tested by pressing the "test" button located on the front of the unit or by activating an external switch via the "alarm contact" pin.

The device has the ability to signal low battery voltage if the voltage drops below 10.5VDC. The device can also detect if no battery is present or if the battery is connected backwards. In either of these cases, the ACBC-120 will signal a battery error and will not attempt to charge.

AUXILIARY PRODUCTS:

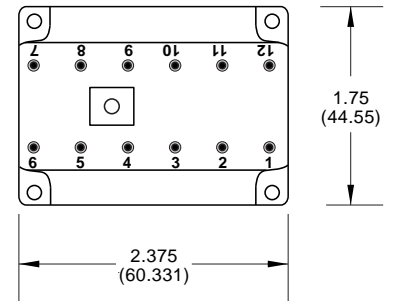
- SD12-PC socket



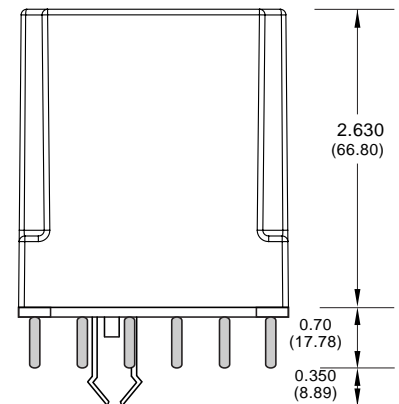
Specifications

Functional Specifications	
Battery Charging Characteristics Acceptable Battery Type Fast Charge Current Maintenance Charge Current Low Battery Alert Level	12V lead-acid rechargeable 100mA \pm 10% 14mA \pm 50% 10.5V
Input Characteristics	
AC Input Voltage Frequency AC Input Current AC Input Power	120V \pm 10% 50/60Hz 0.018A (max.) 0.003 (typical) 2.4W (max.) (fast charge current) 0.4W (typical) (maintenance charge current)
Output Characteristics	
Strobe Light Alarm Output Horn Alarm Output	12VDC@1A (max.) 12VDC@1A (max.)
General Characteristics	
Operating Temperature Relative Humidity Standards Passed Electrostatic Discharge (ESD) Radio Frequency Immunity (RFI), Radiated Electrical Fast Transient Burst Surge Immunity IEC ANSI/IEEE Hi-potential Test Safety Marks UL listed (SD12-PC socket required) CE Dimensions Weight Enclosure Material Wire Gauge Terminal Torque Mounting Method	-40° to 60° C (-40° to 140° F) 10-85%, non-condensing per IEC 68-2-3 IEC 61000-4-2, Level 3, 6kV contact, 8kV air 150MHz, 10V/m IEC 61000-4-4, Level 4, 4kV input lines; 4kV signal lines IEC61000-4-5 Level 4, 2kV line-to-line C62.41 Surge and Ring Wave Compliance to a level of 6kV line-to-line Meets UL508 (2 x rated V + 1000V for 1 minute) UL508 (File #E68520, Model #1-4-2-1) IEC 60947-6-2 2.211" H x 2.606" W x 3.732" D (with socket) 9 oz. Polycarbonate 12-20 AWG Solid or Stranded 20 in.-lbs. (max.) Plugs into 12-pin SD12-PC socket

Enclosure Dimensions



BOTTOM



SIDE

How to order:

Part Number: ACBC-120

