

Metal Box Only - NEMA-3R-L

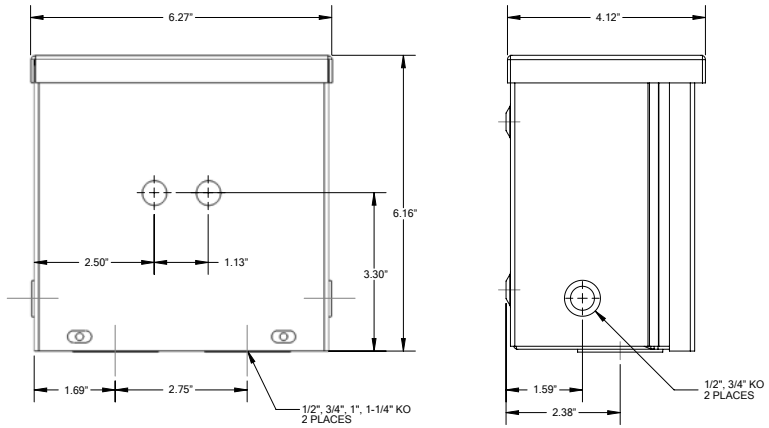


The NEMA 3R-L enclosure is a metal electrical box that meets the National Electrical Manufacturers Association’s standard for a 3R enclosure (rain proof). The NEMA 3R-L box can house several different single-phase SymCom PumpSaver® models. It has two clear lenses on the cover for viewing the LEDs on the PumpSaver®, allowing the customer to determine the units operational status.

The NEMA 3R-L is sold separately or in conjunction with the single-phase SymCom PumpSaver® models (while supplies last).

Specifications

Functional Specifications	
Classification	NEMA 3R standard (rain proof)
Grounding	12" long 12-gauge wire secured by ground screw
General Characteristics	
Dimensions	6" x 6" x 4.5" (4" inside depth)
Front Cover	Secured by two machine screws, contains two clear lenses for viewing LED lights on PumpSaver
Weight	3.3 lbs.
Mounting Method	Surface Mount (four pre-drilled concave holes)
Knock-outs (four)	1/2" or 3/4" (one on each side and two on the bottom)
Security	Padlock tab



Dimensions NEMA-3R-L

How to order:

NEMA-3R-L* (metal box only)

* while supplies last