

Pump Controller with seal-Leak & over-Temperature Inputs

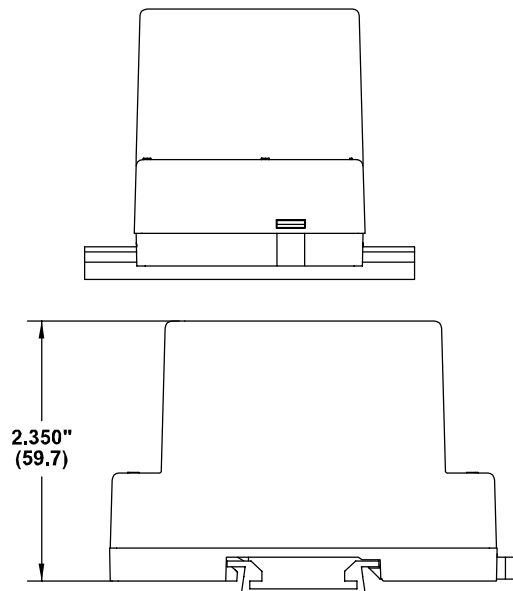
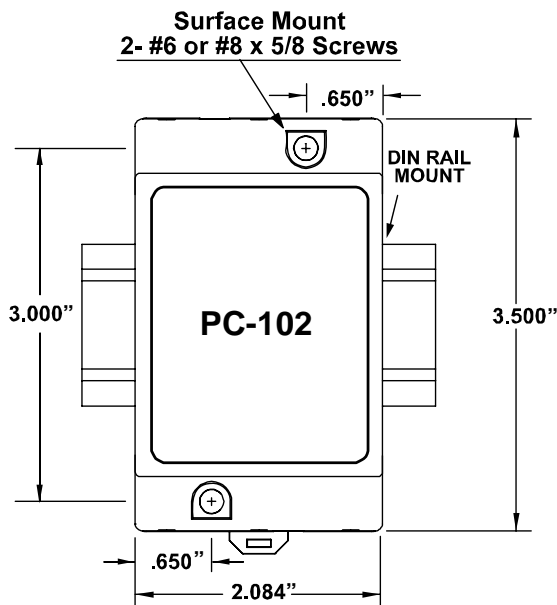
Model PC-102CICI-LT



SymCom's PC-102CICI-LT is a seal-Leak and over-Temperature detector.

The seal-leak input is used to sense seal failures on submersible pumps while the temperature input is used to detect motor overheating. Both can be configured to suit the probes of your choice.

It has two form-C isolated output relays and two LEDs, which illuminate when each associated output relay is energized.



Specifications

Functional Specifications:	
Adjustments/Settings	
Sensitivity (for resistive probes)	
TEMP Input	4k (fixed) or 4.7k-100k Ω (adjustable)
SEAL Input	4.7k-100k Ω (adjustable)
TEMP Reset Selections	Power Cycle; Button; Power Cycle or Button; Automatic
SEAL Input Logic	Direct or inverted
Debounce Time Delay	
TEMP Input	1 second
SEAL Input	2 seconds
Input Characteristics:	
Supply Voltage:	120VAC nominal
Frequency:	50/60 Hz
Output Characteristics:	
Relay Output Rating:	
2 Form C (isolated)	5Amps @ 240VAC General Purpose Pilot Duty 180VA @ 120VAC, C150
Depluggable Connector (included)	Phoenix Contact - Series MSTB plugs (or equivalent)
LEDs (1 red & 1 green)	Output Relay Status Indicators
General Characteristics:	
Operating Temperature:	-20 to 55° C
Terminals:	
Wire Size	12-20 AWG
Torque	6 in.-lbs. (max.)
Standards Passed:	
Electrostatic Discharge (ESD)	IEC 61000-4-2, Level 3, 6 kV contact, 8 kV air
Radio Frequency Immunity (RFI)	IEC 61000-4-2, Level 3, 10V/m
Fast Transients	IEC 61000-4-4, Level 3, 4 kV power terminals, 2kV input/output terminals
Safety Marks:	
UL	UL508 (File #E68520)
cUL	C22.2 No. 14
Dimensions:	(LxWxD) 3.5" x 2.1" x 3.2" (D w/out connector - 2.4")
Weight:	9 oz.
Mounting Methods:	35 mm DIN rail or Surface Mount (#6 or #8 screws)

How to order:

Part Number: PC-102CICI-LT

