

The CIO-PR module is a convenient, cost-effective Profibus interface device capable of providing discrete control and monitoring of motor starters, drives and other devices over a Profibus network.

The CIO-PR module provides four solid-state 24VDC inputs and two AC/DC rated relay outputs. It can function as a stand-alone I/O device or can be connected to any model 777-P series unit to relay real-time information and permit overload control over the network.

The CIO-PR module has flexible addressing standard and provides two connector styles for connecting to the Profibus network. The CIO-PR allows the use of simple, inexpensive 5-pin pluggable connectors or industry standard 9-pin D-sub connectors.

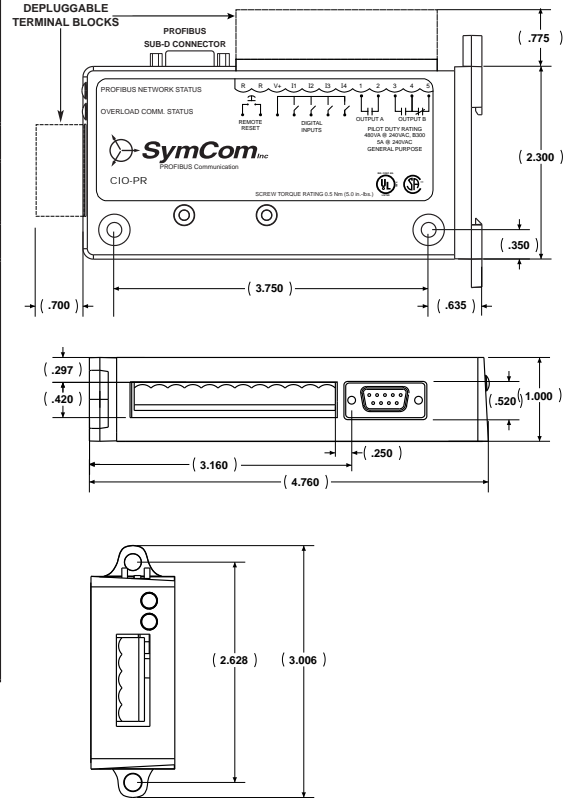
### Features:

- Stand-alone I/O or use with 777-P series overload relays
- Four digital inputs
- One dedicated reset input
- Two Outputs
  - One Form C, SPDT
  - One Form A, SPST-NO
- Cyclical Messaging
  - Read real-time information:
    - Phase currents
    - Average current
    - Ground fault current
    - Phase voltages
    - Average voltage
    - Power factor
    - Input states
    - Thermal capacity
    - Restart timer states
    - Fault flags
- Network Control
  - Open/close output relays
  - Reset overload
  - Ease in system startup and commissioning
- Compact size; reduced field wiring
- DIN Rail or Surface Mountable
- Unit sets flush with side of 777-P series overload relays

## Specifications

Input Characteristics	
Voltage (nominal)	24VDC
Maximum Current	150mA
Maximum Power	3.6 W
Digital Inputs	
Voltage Range	12-24VAC
Maximum Current	2mA (typical)
Remote Reset	24VDC, 10mA (minimum), NO pushbutton
Output Characteristics	
Form A & Form C contactors	480VA @ 240VAC, B300 Pilot Duty 5A @ 240VAC General Purpose
General Characteristics	
Temperature	-20° to 70°C (-4° to 158°F)
Relative Humidity	10-95%, non-condensing
Wire Gauge	Solid or Stranded 12 - 20AWG
Terminal Torque	3 in.-lbs.
Hi-Potential Test (Relays to other circuits)	(2 x rated V + 1000V for 1 minute)
EMC Standards	
Electrostatic Discharge (ESD)	IEC 61000-4-2, Level 3, 6kV contact, 8kV air
Radio Frequency Immunity, Radiated	150 MHz, 10V/m
Fast Transient Burst	IEC 61000-4-4, Level 3, 4kV input power
Safety Marks	
UL, ULC Listed	UL508 (File #E68520)
CSA	C22.2 (File #46510)
Enclosure	Polycarbonate
Dimensions	3.4" H x 1" W x 5" D (w/ depluggable connectors)
Weight	5 oz. (w/ depluggable connectors)
Mounting Methods	DIN Rail or surface mount (w/ two #8 screws)

## Enclosure Dimensions



## How to order:

Part Number: CIO-PR