

AS-I Repeaters



- Extend AS-I Network Length
- IP 20 for In-The-Cabinet
- Isolate AS-I Power Segments
- Fault LED Aids in Diagnostics

Electrical

- Operating Current: <60 mA from each AS-I segment (<120 mA total)

Power Distribution

- Each isolated segment is powered from it's respective AS-I power supply

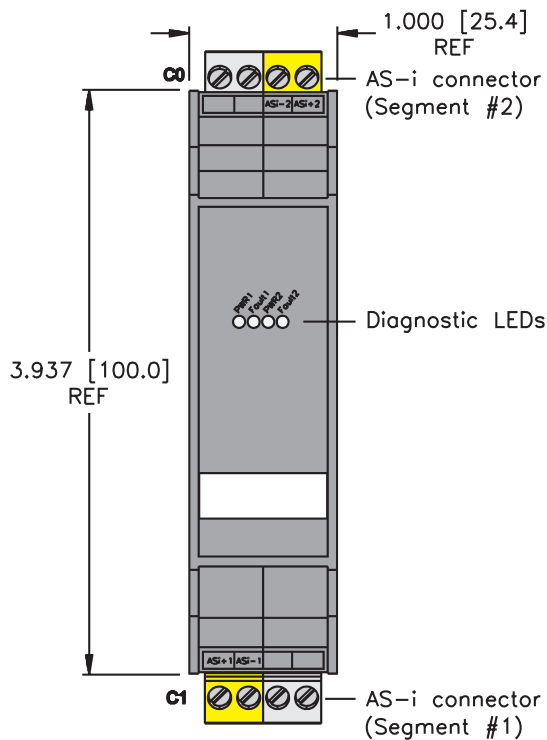
Mechanical

- Operating Temperature: 0 to +55°C (+32 to +131°F)
- Protection: IP 20

Diagnostics (Physical)

- LEDs to indicate status of AS-I communication and power supply

REP-ASI BW1855



AS-I Repeater

- Extend AS-I Network Length
- IP65 Protection
- Isolate AS-I Power Segments
- Fault LED Aids in Diagnostics



REP-ASI BW1273*
REP-ASI-C1D2 BW1712

* Not ETL listed



Electrical

- Operating Current: <60 mA from each segment (<120 mA total)

Power Distribution

- Each isolated segment is powered from it's respective AS-I power supply

Mechanical

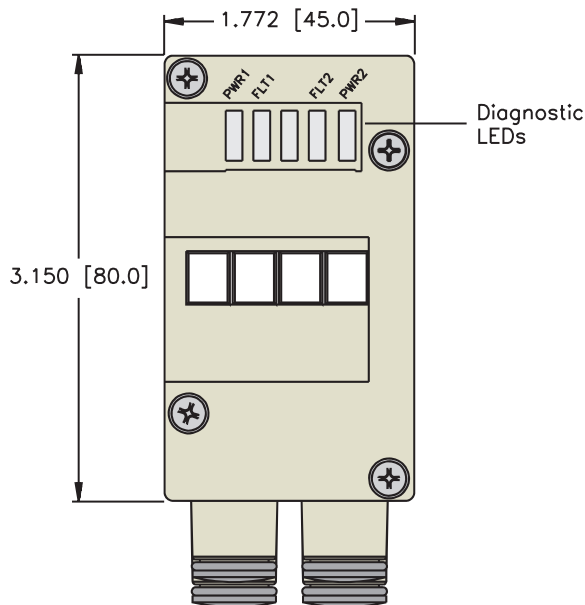
- Operating Temperature: -10 to +55°C (+14 to +131°F)
- Protection: IP65
- Connection: Via standard AS-I base module (flat or round cable)

Material

- Housing: Plastic

Diagnostics (Physical)

- LEDs to indicate status of AS-I communication and power supply



Machine Mounted AS-interface® Repeater

The **REP-ASI BW1273** is an IP 65 repeater for machine mounted AS-I extensions. Network segments attached by a repeater are considered separate physical networks (trunk and drop lengths for each segment are determined as if the other segments are not present), but one logical network (addresses cannot be duplicated; the scanner and configuration tools work as a single network).

The repeater does not consume an address and is invisible to all the other devices on the network. The **REP-ASI BW1273** supports a network extension of one full segment (an additional 100 m of AS-I cable). Repeaters can also be used to isolate power supplies on networks with multiple supplies, allowing greater than 8 A on the entire AS-I system (no individual segment may carry more than 8 A).

Up to two repeaters are allowed between any slave and the master. Placing the master in the middle of the system allows a maximum linear system of 500 m.

The **REP-ASI BW1273** physical wiring connections are made via standard AS-I base modules with two isolated ports (ASI-BM BW1181 for flat cable or ASI-BM BW1183 for round cable with screw terminal connections).

- A = Power supplies
- B = Master
- C = Repeaters

