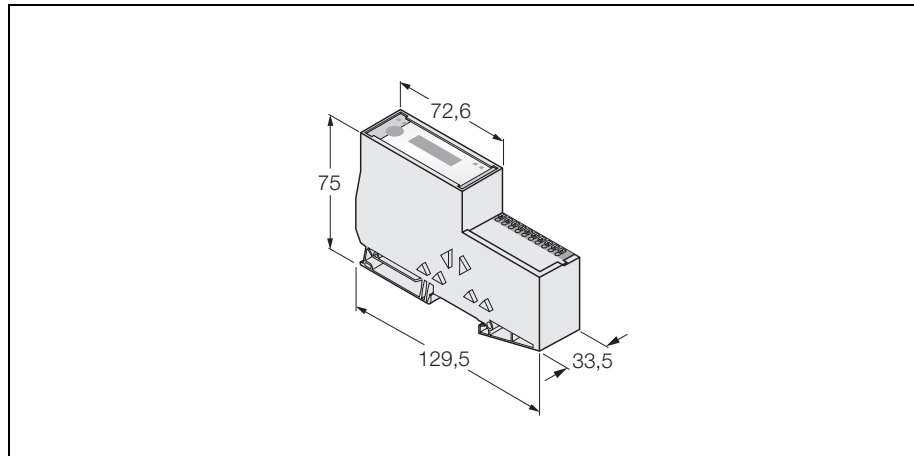


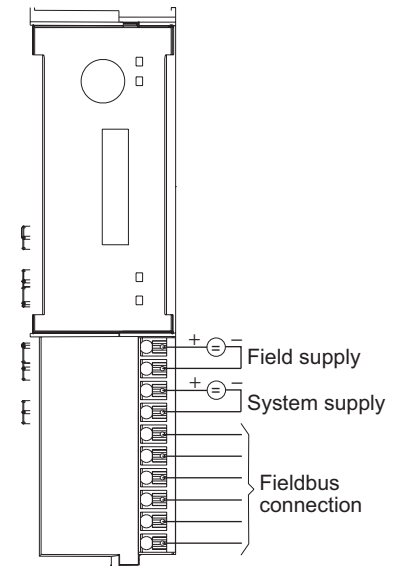
**gateway for BL20 I/O system
interface for CANopen
BL20-E-GW-CO**



- DIP switch rotary for adjustment of the node address
- degree of protection IP20
- 2 x end brackets BL20-WEW35/2-SW
- 1 x end plate BL20-ABPL
- with integrated supply
- LEDs for display of supply voltage, common alarm and bus errors
- Interface between the BL20 system and CANopen
- 1 Mbps
- Push-in clamps

Type	BL20-E-GW-CO
Ident-No.	6827252
System power supply	24 VDC / 5 VDC
Field supply	24 VDC
Admissible range	18...30 VDC
Rated current from module bus	≤ 430 mA
Max. field supply current	10 A
Max. system supply current	1.5 A
Fieldbus transmission rate	125 kbps to 500 kbps
Fieldbus addressing range	1...63
Fieldbus addressing	per DIP switch
Service interface	PS/2 socket for I/O-ASSISTANT
Fieldbus connection technology	Push-in clamps
Voltage supply connection	Push-in clamps
Fieldbus connection	per DIP switch
Number of diagnostic bytes	3
Number of parameter bytes	5
Dimensions (W x L x H)	33.5 x 129.5 x 74.4 mm
Operating temperature	0 to +55 °C
Storage temperature	-25 to +85 °C
Relative humidity	5 to 95% (internal), Level RH-2, no condensation (at 45 °C storage)
Vibration test	acc. to EN 61131
Shock test	acc. to IEC 68-2-27
Drop and topple	acc. to IEC 68-2-31 and free fall to IEC 68-2-32
Electro-magnetic compatibility	acc. to EN 50,082-2
Degree of protection	IP20
Included in scope of supply	2 x end brackets BL20-WEW-35/2-SW, 1 x end plate BL20-ABPL

field supply/system supply



Functional principle

BL20 gateways are the head component of a BL20 station. They are designed to interface the modular fieldbus nodes to the higher level fieldbus (PROFIBUS-DP, DeviceNet, CANopen, Ethernet). All BL67 electronic modules communicate over the internal module bus, the data of which is transferred to the fieldbus via the gateway, so that all I/O modules can be configured independently of the bus system.