

# Sensors

## Accessories

Part Number	ID Number	A	B	C	D
TSG-12	A2500	1.75 [44.5]	1.25 [31.8]	12 mm (threaded or non-threaded)	0.37-0.81 [9.40-20.6]
TSG-18	A2501	1.90 [48.3]	1.48 [37.5]	18 mm (threaded or non-threaded)	0.63-1.12 [16.0-28.4]
TSG-30	A2502	3.45 [87.6]	2.00 [50.8]	30 mm (threaded or non-threaded)	1.00-1.75 [25.4-44.5]

Inches [mm]

## Protective Housing "Wet Suit"

Part Number	ID Number
SG40/2	M6949700

For extreme ambient conditions or long term exposure to elevated temperatures up to 170°C (338°F). Especially resistant to UV-radiation and ozone.  
IP 68, NEMA 13

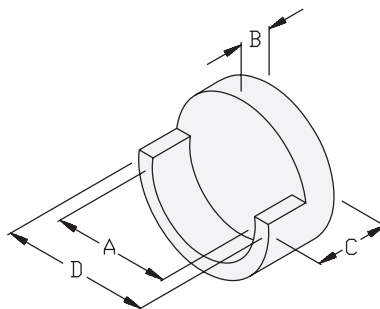
Housing Material: ULTEM 1000  
Cover Plate Material: PBT-GF  
Cable Gland Material: PVDF  
Seal Material: Viton  
Inches [mm]

Recommended cable styles: 16-18 AWG  
For use with Limit Switch Style *combiprox*, *multiprox*, *C\*prox* and *K40SR* sensors.

**Sensing Gap Gages**

Part Number	ID Number	Barrel Diameter	Dimensions			
			A	B	C	D
SG-Bi0.8-0.64	A5300	5 mm	0.197 [5.0]	0.025 [0.64]	0.378 [9.6]	0.252 [6.4]
SG-Bi 1-0.81	A5301	8 mm	0.315 [8.0]	0.032 [0.81]	0.378 [9.6]	0.374 [9.5]
SG-Bi 2-1.62	A5302	12 mm	0.472 [12.0]	0.064 [1.62]	0.500 [12.7]	0.630 [16.0]
SG-Bi 5-4.05	A5303	18 mm	0.709 [18.0]	0.160 [4.05]	0.500 [12.7]	0.878 [22.3]
SG-Bi10-8.1	A5304	30 mm	1.181 [30.0]	0.319 [8.1]	0.752 [19.1]	1.492 [37.9]
SG-Bi15-12.15	A5305	30 mm	1.181 [30.0]	0.478 [12.15]	0.748 [19.0]	1.492 [37.9]
Use above Gap Gages for embeddable (Shielded) sensors.						
SG-Ni 2-1.62	A5306	8 mm	0.315 [8.0]	0.064 [1.62]	0.347 [9.5]	0.378 [9.6]
SG-Ni 4-MG12-3.24	A5307	12 mm	0.472 [12.0]	0.128 [3.24]	0.528 [13.4]	0.626 [15.9]
SG-Ni 4-S12-3.24	A5308	12 mm	0.472 [12.0]	0.128 [3.24]	0.500 [12.7]	0.626 [15.9]
SG-Ni 5-4.05	A5309	12 mm	0.472 [12.0]	0.160 [4.05]	0.500 [12.7]	0.626 [15.9]
SG-Ni 8-6.48	A5310	18 mm	0.709 [18.0]	0.255 [6.48]	0.500 [12.7]	0.878 [22.3]
SG-Ni10-MG18-8.1	A5311	18 mm	0.709 [18.0]	0.319 [8.1]	0.500 [12.7]	0.878 [22.3]
SG-Ni10-P18-8.1	A5312	18 mm	0.709 [18.0]	0.319 [8.1]	0.756 [19.2]	0.752 [19.1]
SG-Ni15-MG30-12.15	A5313	30 mm	1.181 [30.0]	0.478 [12.15]	1.063 [27.0]	1.240 [31.5]
Use above Gap Gages for non-embeddable (Nonshielded) sensors.						

Material: White Delrin  
Inches [mm]



Cords - Acc

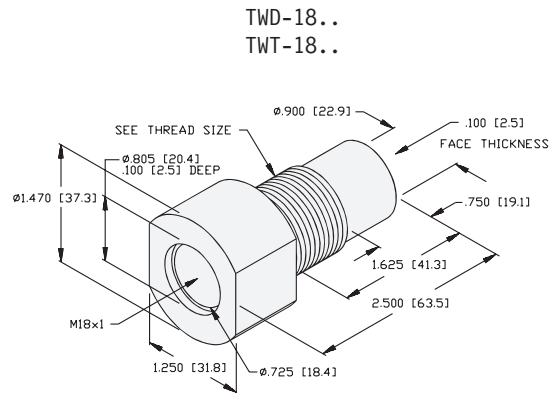
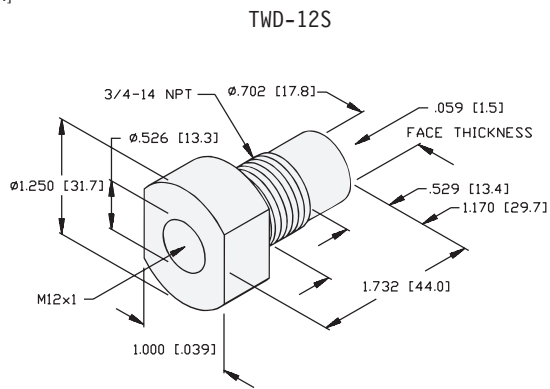
# Sensors

## Accessories

### Threaded Tank Wells

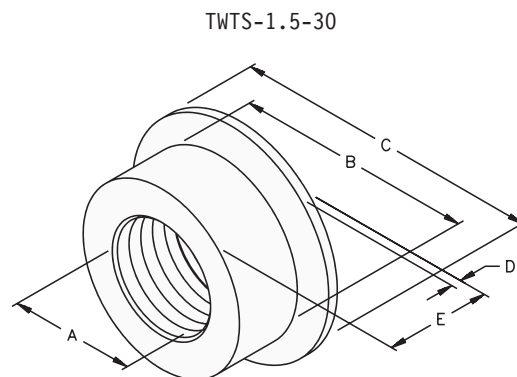
Part Number	ID Number	Material	Thread Size	Drill Size	Application
TWD-12S	A5051	Delrin	3/4-14 NPT	59/64	12 mm threaded capacitive sensors for liquid level sensing.
TWD-18S	A5055	Delrin	3/4-14 NPT	59/64	18 mm threaded capacitive sensors for liquid level sensing.
TWT-18S	A5050	Teflon	3/4-14 NPT	59/64	18 mm threaded capacitive sensors for liquid level sensing.
TWD-18S-1	A5057	Delrin	1-11 1/2 NPT	1-5/32	18 mm threaded capacitive sensors for liquid level sensing.
TWT-18S-1	A5056	Teflon	1-11 1/2 NPT	1-5/32	18 mm threaded capacitive sensors for liquid level sensing.

Pressure Rating: 150 PSI  
Inches [mm]



Part Number	ID Number	Dimensions			
		A	B	C	D
TWTS-1.5-30	A5077	M30x1.5	1.500 [38.1]	1.984 50.4	1.000 [25.4]
TWTS-2-30	A5076	M30x2.0	2.008 [51.0]	2.520 [64.0]	1.000 [25.4]

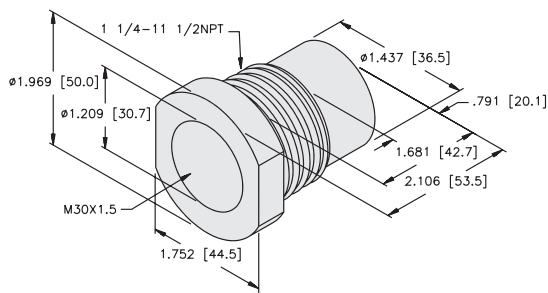
Inches [mm]



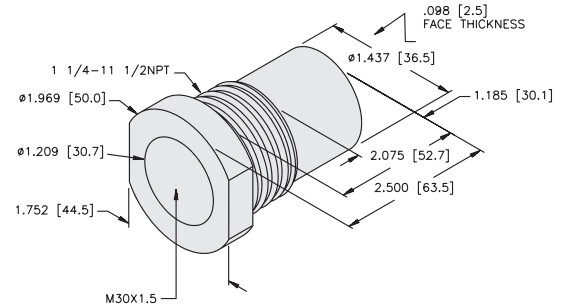
**Threaded Tank Wells**

Part Number	ID Number	Material	Thread Size	Drill Size	Application
TWD-30S	A5065	Delrin	1 1/4-11 1/2 NPT	1-1/2	30 mm threaded capacitive sensors for liquid level sensing.
TWT-30S	A5060	Teflon	1 1/4-11 1/2 NPT	1-1/2	30 mm threaded capacitive sensors for liquid level sensing.
TWD-40S	A5075	Delrin	1 1/2-11 1/2 NPT	1-47/64	40 mm smooth capacitive sensors for liquid level sensing.
TWT-40S	A5070	Teflon	1 1/2-11 1/2 NPT	1-47/64	40 mm smooth capacitive sensors for liquid level sensing.
TWT-30S-SHORT	A5062	Teflon	1 1/4-11 1/2 NPT	1-1/2	30 mm threaded capacitive sensors for liquid level sensing.

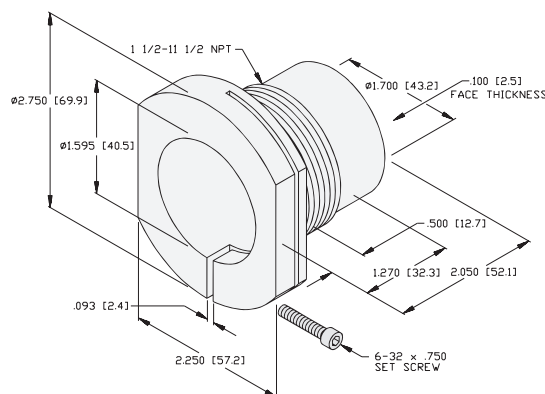
TWT-30S-SHORT



TWD-30S..  
TWT-30S..



TWD-40..  
TWT-40..

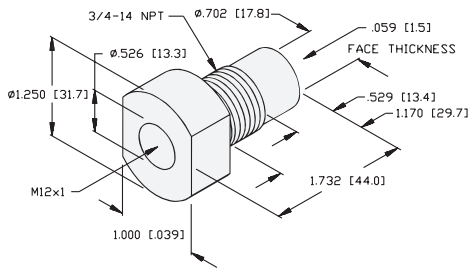


**Threaded Tank Wells for Liquid Level Sensing Applications**

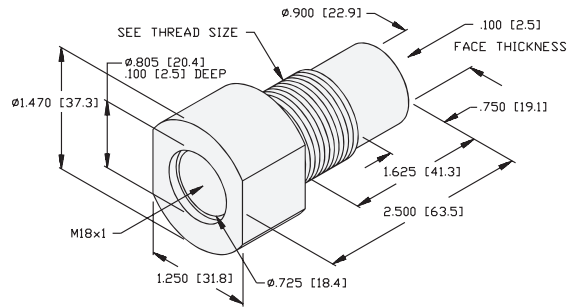
Part Number	ID Number	Material	Thread Size	Drill Size	Capacitive Sensor Style
TWD-12S	A5051	Delrin®	3/4-14 NPT	59/64	12 mm threaded
TWD-18S	A5055	Delrin	3/4-14 NPT	59/64	18 mm threaded
TWT-18S	A5050	Teflon®	3/4-14 NPT	59/64	18 mm threaded
TWD-18S-1	A5057	Delrin	1-11 1/2 NPT	1-5/32	18 mm threaded
TWT-18S-1	A5056	Teflon	1-11 1/2 NPT	1-5/32	18 mm threaded
TWD-30S	A5065	Delrin	1 1/4-11 1/2 NPT	1-1/2	30 mm threaded
TWT-30S	A5060	Teflon	1 1/4-11 1/2 NPT	1-1/2	30 mm threaded
TWD-40S	A5075	Delrin	1 1/2-11 1/2 NPT	1-47/64	40 mm smooth
TWT-40S	A5070	Teflon	1 1/2-11 1/2 NPT	1-47/64	40 mm smooth

Pressure Rating: 150 PSI

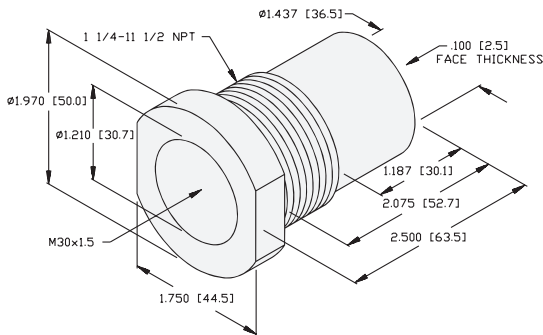
**TWD-12S**



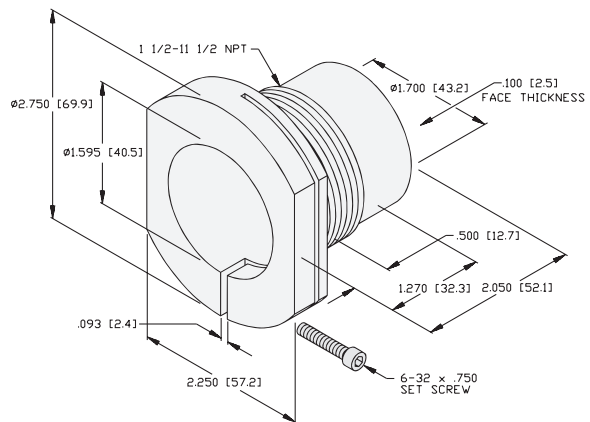
**TWD-18..  
TWT-18..**



**TWD-30S  
TWT-30S**



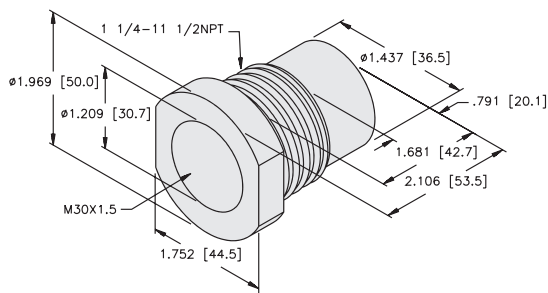
**TWD-40S  
TWT-40S**



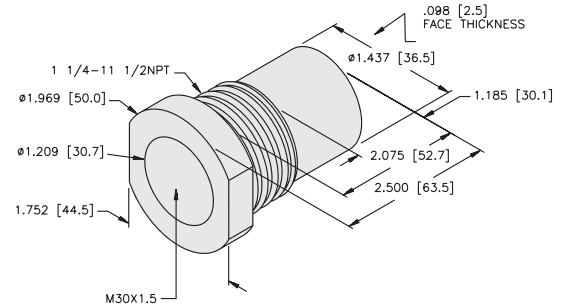
**Threaded Tank Wells**

Part Number	ID Number	Material	Thread Size	Drill Size	Application
TWD-30S	A5065	Delrin	1 1/4-11 1/2 NPT	1-1/2	30 mm threaded capacitive sensors for liquid level sensing.
TWT-30S	A5060	Teflon	1 1/4-11 1/2 NPT	1-1/2	30 mm threaded capacitive sensors for liquid level sensing.
TWD-40S	A5075	Delrin	1 1/2-11 1/2 NPT	1-47/64	40 mm smooth capacitive sensors for liquid level sensing.
TWT-40S	A5070	Teflon	1 1/2-11 1/2 NPT	1-47/64	40 mm smooth capacitive sensors for liquid level sensing.
TWT-30S-SHORT	A5062	Teflon	1 1/4-11 1/2 NPT	1-1/2	30 mm threaded capacitive sensors for liquid level sensing.

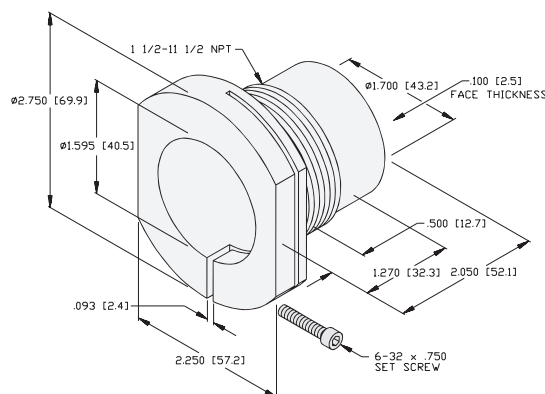
TWT-30S-SHORT



TWD-30S..  
TWT-30S..



TWD-40..  
TWT-40..



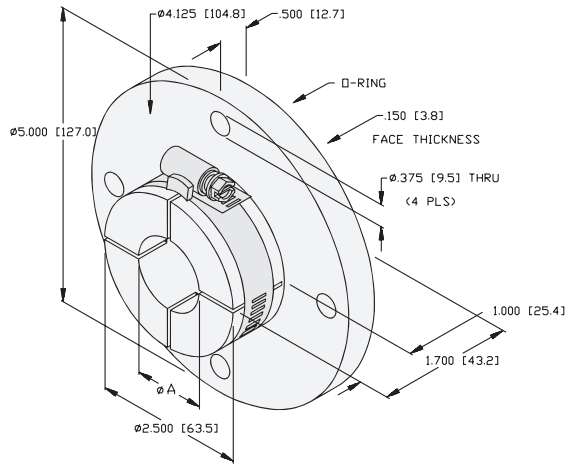
# Sensors

## Accessories

### Bolt-on Tank Wells

Part Number	ID Number	Dimensions
TWU-30B	A5005	1.181 [30.0]
TWU-40B	A5000	1.575 [40.0]

Material: UHMW/PE  
 Pressure Rating: 80 PSI  
 Inches [mm]

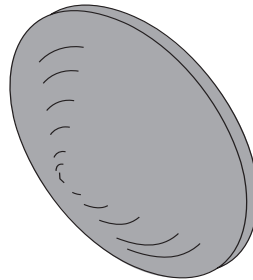
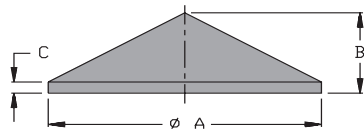


For use with 30 and 40 mm barrel sensors.

### Plastic Covers

Part Number	ID Number	Sensor Diameter	Dimensions		
			A	B	C
CP80-P-CONE	A5218	80 mm	2.756 [70.0]	0.925 [23.5]	0.129 [3.3]
K90-P-CONE	A5220	90 mm	3.150 [80.0]	1.250 [31.2]	0.341 [8.7]

Material: PVC  
 Inches [mm]



For use with CP80, K90 and K90SR style sensors.

## Conduit Adapters

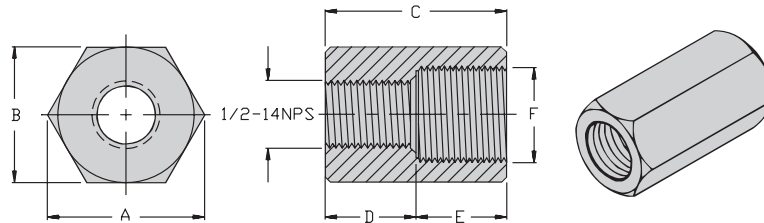
Part Number	ID Number	Barrel Diameter	Dimensions					
			A	B	C	D	E	F
TMF 12-G	A3310	12 mm	1.15 [29.2]	1.00 [25.4]	1.00 [25.4]	0.50 [12.7]	0.50 [12.7]	M12x1
TMF 18-G	A3320	18 mm	1.15 [29.2]	1.00 [25.4]	1.00 [25.4]	0.50 [12.7]	0.50 [12.7]	M18x1
TMF 30-G	A3345	30 mm	1.73 [44.0]	1.50 [38.1]	1.00 [25.4]	0.60 [15.2]	0.40 [10.2]	M30x1.5
TMF 47-G	A3360	47 mm	2.30 [58.4]	2.00 [50.8]	1.75 [44.5]	1.05 [26.7]	0.70 [17.8]	PG36

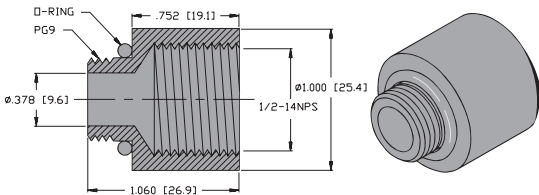
Use above Conduit Adapters with G and P Barrel sensors.

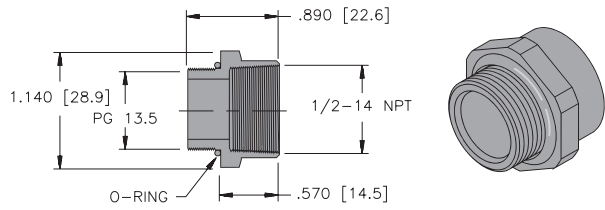
TMF 18-MS	A3330	18 mm	1.15 [29.2]	1.00 [25.4]	2.00 [50.8]	1.50 [38.1]	0.50 [12.7]	M18x1
TMF 30-MS	A3355	30 mm	1.73 [44.0]	1.50 [38.1]	2.00 [50.8]	0.60 [15.2]	1.40 [35.6]	M30x1.5

Use above Conduit Adapters with M and S Barrel sensors.

Material: Aluminum  
Inches [mm]



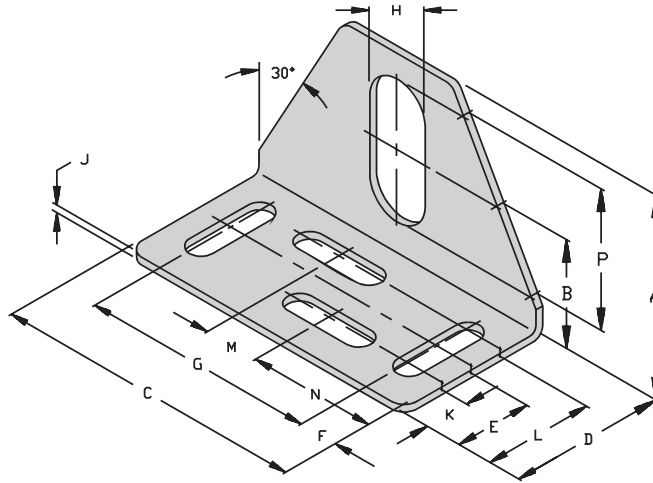
Part Number	ID Number
TMF 9-14	A3290
<p>Material: Delrin Inches [mm]</p> 	
For use with Integral Terminal Chamber style sensors.	

Part Number	ID Number
TMF 13.5-14	A4500
<p>Material: Delrin Inches [mm]</p> 	
For use with Integral Terminal Chamber style sensors.	

Mounting Brackets

Part No.	ID No.	Barrel Dia.	Dimensions														
			A	B	C	D	E	F	G	H	J	K	L	M	N	P	SLOT
MB-8	A3130-1	8 mm	1.26 [32.0]	0.66 [16.7]	2.00 [50.8]	1.00 [25.4]	0.45 [11.5]	0.30 [7.5]	1.41 [35.8]	0.33 [8.4]	0.06 [1.5]	0.24 [6.0]	0.67 [17.0]	0.35 [8.8]	0.83 [21.0]	.84 [21.4]	0.16 x 0.59 [4.0 x 15.0]
MB-12	A3130	12 mm	1.63 [41.5]	0.87 [22.15]	2.50 [63.5]	1.25 [31.8]	0.61 [15.5]	0.31 [7.9]	1.88 [47.8]	0.50 [12.7]	0.06 [1.5]	0.35 [9.0]	0.87 [22.0]	0.45 [11.5]	1.02 [26.0]	1.13 [28.7]	0.22 x 0.73 [5.6 x 18.6]
MB-18	A3135	18 mm	1.63 [41.5]	0.79 [20.0]	2.50 [63.5]	1.25 [31.8]	0.61 [15.5]	0.31 [7.9]	1.88 [47.8]	0.75 [19.1]	0.06 [1.5]	0.35 [9.0]	0.87 [22.0]	0.45 [11.5]	1.04 [26.3]	1.15 [29.1]	0.22 x 0.75 [5.6 x 19.0]
MB-30	A3140	30 mm	2.62 [66.5]	1.32 [33.5]	4.25 [108.0]	1.75 [44.5]	0.88 [22.4]	0.37 [9.5]	3.50 [88.9]	1.19 [30.2]	0.07 [1.8]	0.63 [16.0]	1.14 [29.0]	1.18 [30.0]	1.54 [39.0]	2.06 [52.2]	0.28 x 1.25 [7.1 x 31.8]

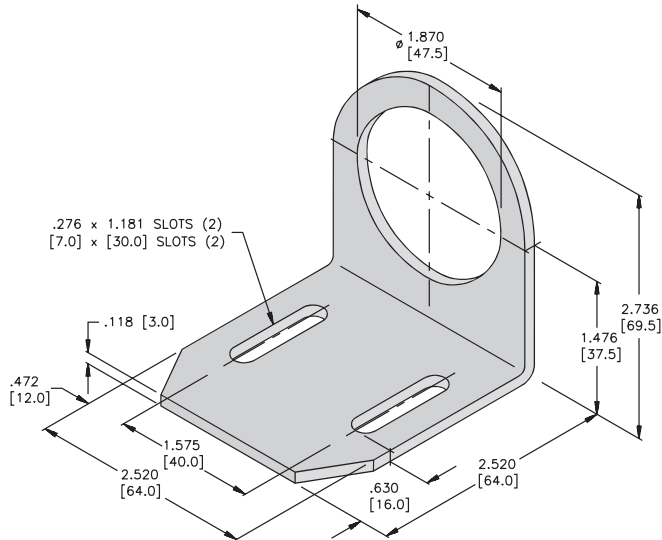
MB-8, MB-18 Material: 16 Gage Cold Roll Steel  
 MB-12, MB-30 Material: 14 Gage Cold Roll Steel  
 Finish: Galvanized



Inches [mm]

Part Number	ID Number
MB-47	M6945200

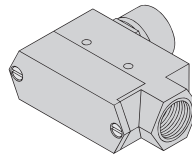
Material: Cold Roll Steel  
 Finish: Galvanized



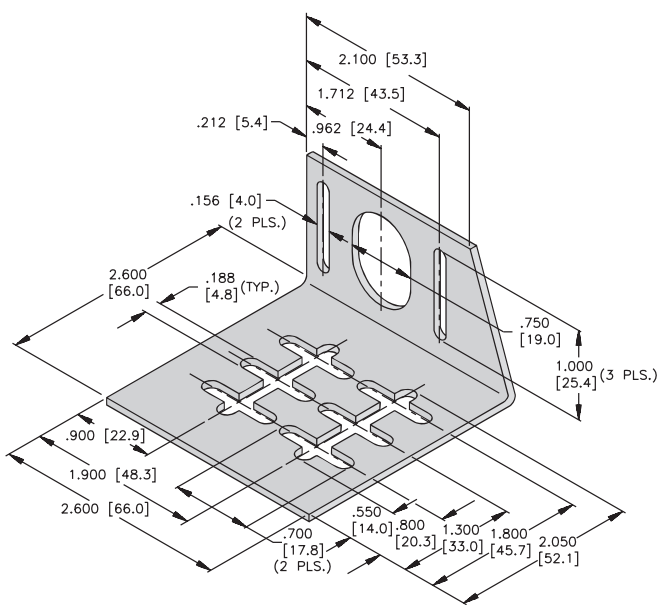
## Mounting Brackets

Part Number	ID Number
TBZE-L	A5150
TBZE-R	A5151

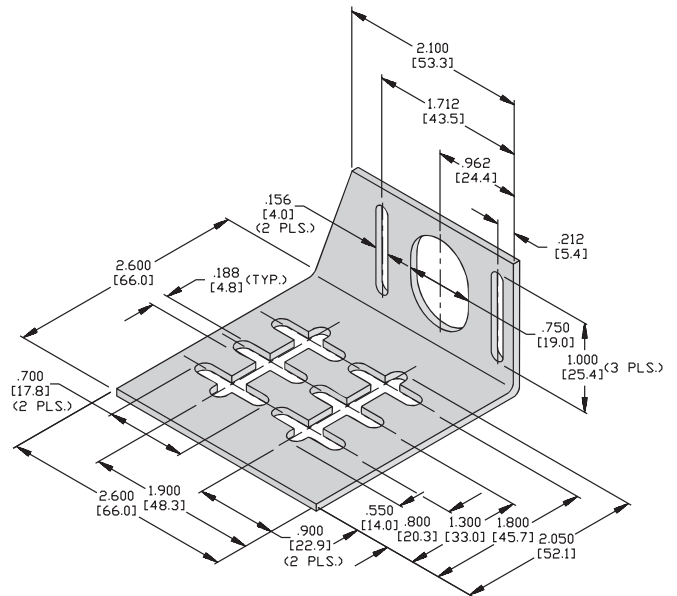
Replaces:



Material:  
Galvanized Plated Steel



TBZE-L



TBZE-R

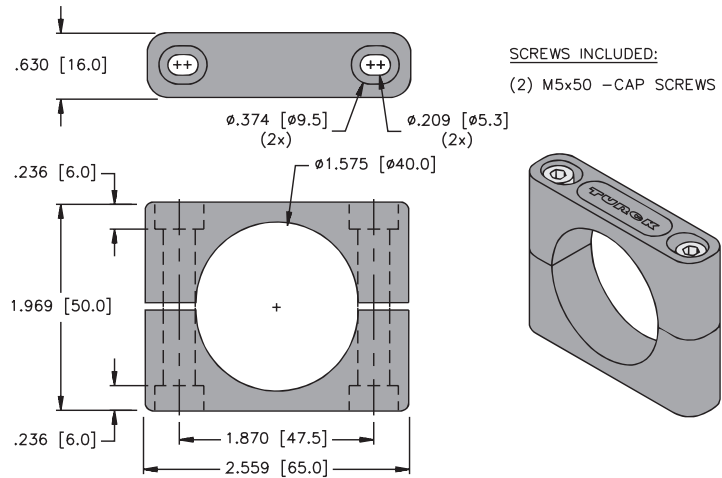
For use with **Q08** rectangular housing and 18 mm barrel sensors.

Inches [mm]

**Plastic Mounting Clamp**

Part Number	ID Number	Barrel Diameter
BS-40	M6946600	40 mm

Material:  
 Bracket - PBT  
 Screws - Galvanized Zinc  
 (2) M5x50 Cap Screws Included

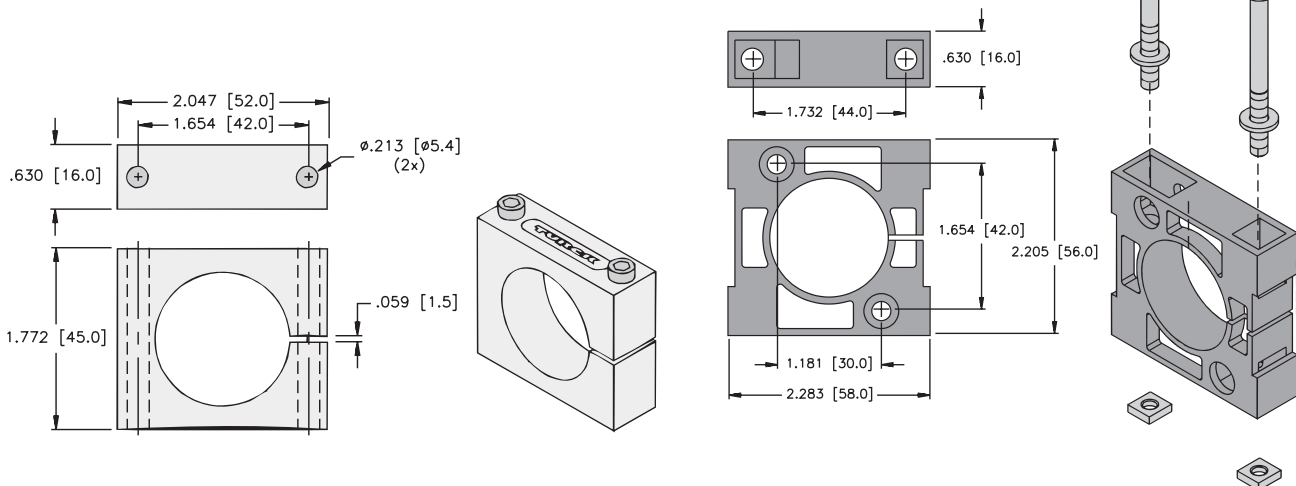


For use with 40 mm smooth plastic barrel sensors.

**PVDF Mounting Clamp**

Part Number	ID Number	Barrel Diameter	Material
BS-34	M6946300	34 mm	PVDF
BS-34.1	M6946010	34 mm	PBT

Screws - 316 Stainless Steel Included.  
 BS-34.1-WMS is optional front wall mounting screw set for BS-34.1.

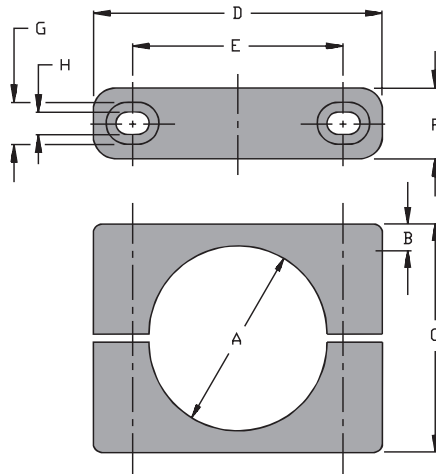


For use with 34 mm smooth plastic and PVDF barrel sensors.

Mounting Clamps

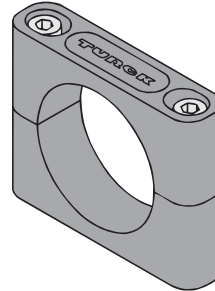
Part Number	ID Number	Barrel Diameter	Dimensions							
			A	B	C	D	E	F	G	H
BS-11	A3075	11 mm	0.43 [11.0]	0.20 [5.0]	0.79 [20.0]	1.26 [32.0]	0.79 [20.0]	0.47 [12.0]	0.32 [8.2]	0.17 [4.3]
BS-20	M6946400	20 mm	0.79 [20.0]	0.24 [6.0]	1.18 [30.0]	1.81 [46.0]	1.22 [31.0]	0.59 [15.0]	0.37 [9.5]	0.21 [5.3]
BS-40	M6946600	40 mm	1.57 [40.0]	0.24 [6.0]	1.97 [50.0]	2.56 [65.0]	1.87 [47.5]	0.63 [16.0]	0.37 [9.5]	0.21 [5.3]

Material:  
Bracket - PBT  
Screws - Galvanized Zinc  
Inches [mm]



SCREWS INCLUDED:

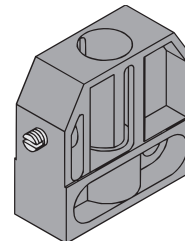
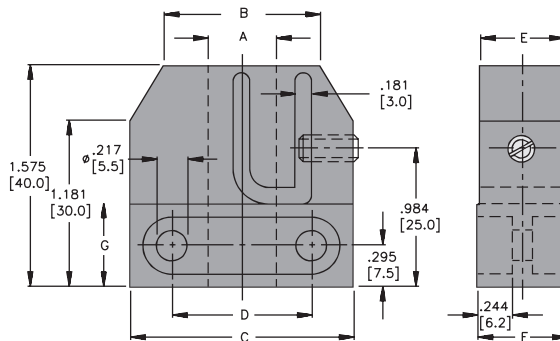
- BS-11: (2) M4x22 -SLOTTED HEAD
- BS-20: (2) M5x30 -CAP SCREWS
- BS-40: (2) M5x50 -CAP SCREWS



For use with 11, 20 and 40 mm smooth plastic barrel sensors.

Part Number	ID Number	Barrel Diameter	Dimensions						
			A	B	C	D	E	F	G
BS-12	M6947000	12 mm	0.48 [12.2]	1.10 [28.0]	1.57 [40.0]	0.98 [25.0]	0.59 [15.0]	0.63 [16.0]	0.59 [15.0]
BS-18	M6947100	18 mm	0.72 [18.2]	1.30 [33.0]	1.77 [45.0]	1.18 [30.0]	0.83 [21.0]	0.87 [22.0]	0.59 [15.0]

Material: PA 66-GF  
Inches [mm]

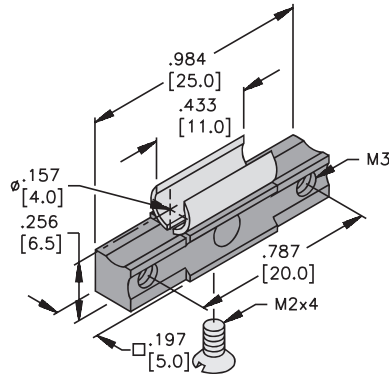


For use with 12 and 18 mm threaded barrel sensors.

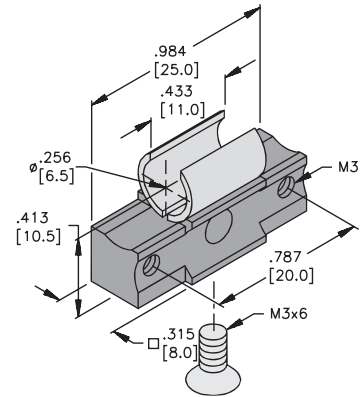
Mounting Clamps

Part Number	ID Number	Barrel Diameter
BS-540	M6947500	4.0 mm
BS-865	S6947600	6.5 mm

Block Material: Aluminum  
Sleeve Material: Steel  
Inches [mm]



BS-540

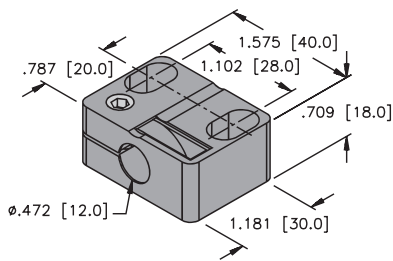


BS-865

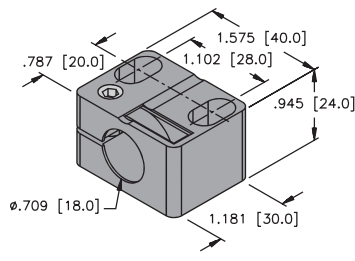
For use with H Barrel *picoprox*<sup>®</sup> sensors.

Part Number	ID Number	Barrel Diameter
BST-12N	M6947213	12 mm
BST-18B	M6947214	18 mm
BST-30B	M6947216	30 mm

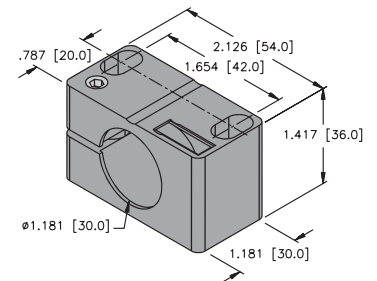
Material: PA 66-6F



BST-12N



BST-18B



BST-30B

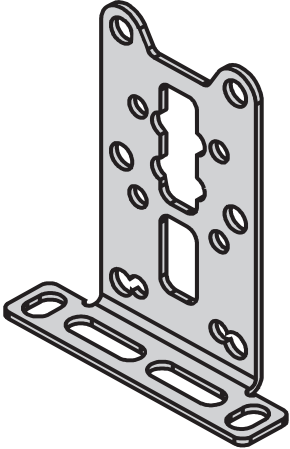
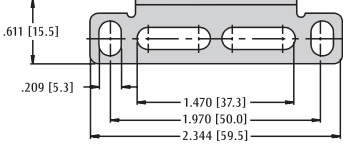
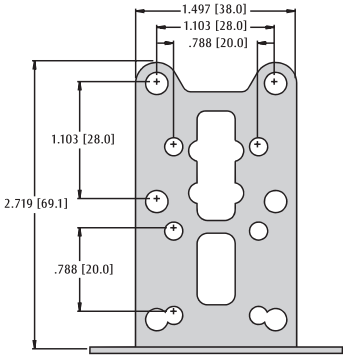
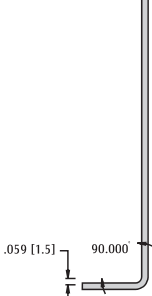


# Sensors Accessories

## Mounting Brackets

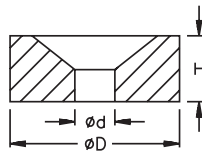
Part Number	ID Number
MB-Q14/20	A3147

Material: Stainless Steel

Inches [mm]

Actuation Magnet Part Numbers	Diameter D (mm)	Height H	Drilling for mounting d	Sensing Range M12	Sensing Range EG08	Material
DMR15-6-3	15	6	3	36	32	Barium Ferrite (Oxyd 300)
DMR20-10-4	20	10	4	59	50	
DMR31-15-5	31	15	5	90	78	





Mounting Brackets

Part Number	ID Number
MB-Q130	A3145

Material: Stainless Steel

For use with Bottle and Can sensors.

Part Number	ID Number
LSAP-2	M6942900

Material: Stainless Steel

For use with Limit Switch Style *combiprox*, *C\*prox* and *multiprox* sensors.

