

TURCK DC Sanitary Flow Monitors



Tri-clamp fitting



FCS-50A4-NA/D014



FCS-50A4-AP8X-H1141/D014

- **Flow monitors for dairy applications in the food and beverage industry**
- **Dynamic pressure resistance up to 145 psi**
- **316L stainless steel housing**

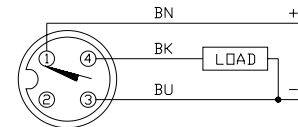
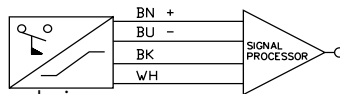
The sanitary style flow monitors are well suited for the dairy, food and beverage industries. The non-contaminating and non-corrosive design is in accordance with the ASME Food, Drug & Beverage Equipment Sanitary Standard #ANSI/ASME F2.1-1982.

These flow monitors are designed for direct installation into the pipeline by means of Tri-clamp fittings manufactured by Tri-Clover, Inc. of Kenosha, WI.

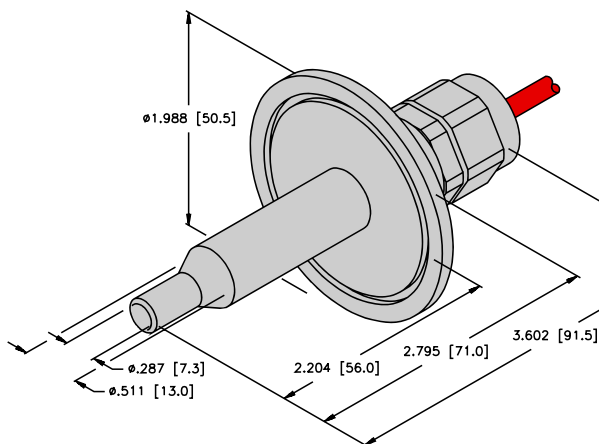
The AP8X version is completely self-contained. The NA style flow monitor is to be used in conjunction with a **TURCK** signal processor. All necessary settings for the correct function of the flow monitors are programmed at the signal processor. Refer to Pages 53-62 to select the appropriate signal processor for specific applications.

Sanitary Flow Monitors 316L Stainless Steel FCS-50A4-NA/D014 FCS-50A4-AP8X-H1141/D014

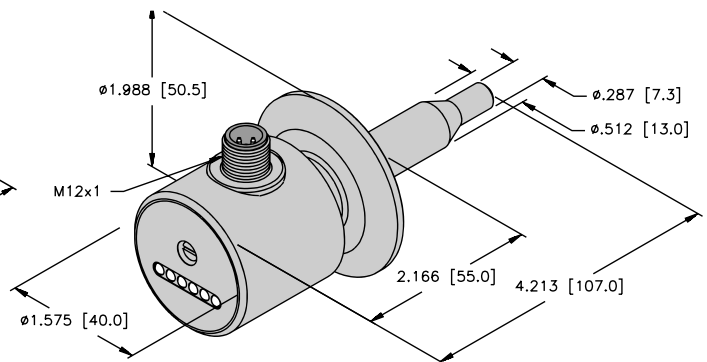
Type	FCS-50A4-NA/D014	FCS-50A4-AP8X-H1141/D014
ID Number	M6872009	M6872025
Temperature Range (flow)	10° to 120°C (50° to 248°F)	
Operating Range (flow rate)		
Water	1-150 cm/s (2-295 ft/min)	
Oil	3-300 cm/s (6-590 ft/min)	
Repeatability	±5% of full range	
Time Delay Before Availability	2-15 s (8 s typical)	
Switch ON time (above setpoint)	1-13 s (2 s typical)	
Switch OFF time (below setpoint)	1-15 s (2 s typical)	
Temperature gradient	max. 250°C/min. (450°F/min)	
Pressure Rating	145 psi (10 bar)	
Approvals, Listings or Certifications		
3-A	Certificate No. 803	
Housing Material (DIN 2 462/17 440)	316L stainless steel (1.4435)	
Surface smoothness	≤1.6 μm	
Enclosure (DIN 40 050)	IP 68, NEMA 1,3,4,4x,6,12,13	
Operating temperature	-25° to +85°C (-13° to +185°F)	
Connection	Teflon cable, 4-wire 2 m standard length (24 AWG) (8 m length available upon request)	3-wire euromast quick disconnect 150 m max. cable length (22 AWG) RK 4T-* or WK 4T-* (Page 65) * = length in meters



See pages 53-62 for signal processor choices.



FCS-50A4-NA/D014



FCS-50A4-AP8X-H1141/D014