

TURCK

Network Media Products

DeviceNet™, Panel Mount Junction Box

- DIN Rail Junction Box
- Open Style
- Removable Terminals

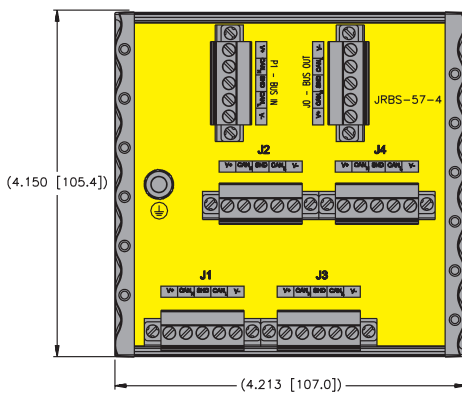


Part Number	Application	Wiring Diagrams
JRBS-57-4		
JRBS-57-6	Open style DIN mounted junction box	
JRBS-57-8		

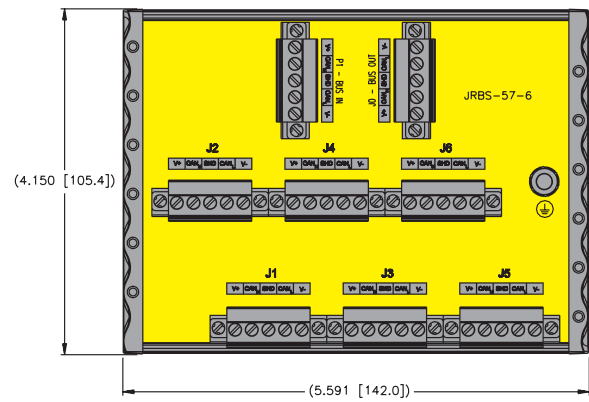
Specifications

Housing:	Aluminum
Contact Carrier:	PA (Nylon)
Contacts:	Gold Plated CuZn
Protection:	NEMA 1 and IP 20
Connection Mode:	Snap-on DIN RAIL (DIN 50022)
Ambient Temperature:	-25° to +70°C (-13° to +158°F)

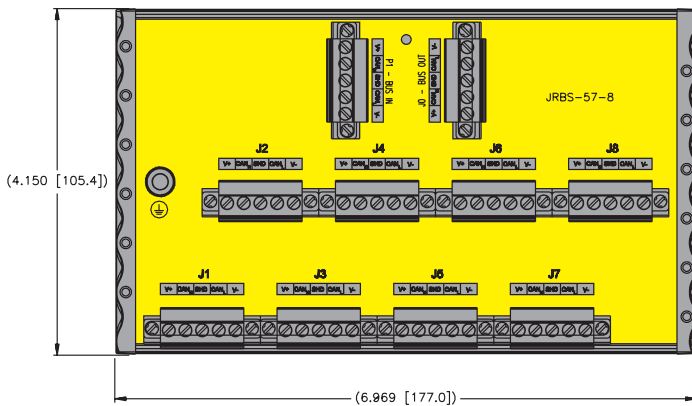
4-Port



6-Port



8-Port



TURCK

Network Media Products

DeviceNet™, eurofast® Junctions

- Multi-port Junction Boxes for Connecting I/O in Concentrated Areas
- Available in Standard and Voltage Monitoring



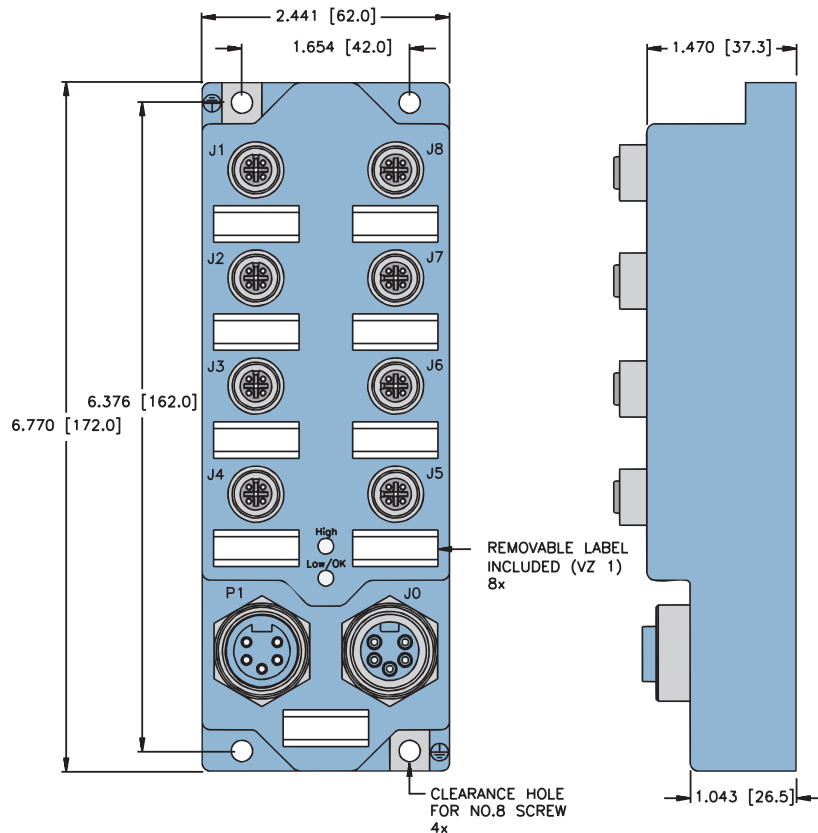
Part Number	Application	Wiring Diagram
JBBS-57-E811	8-port Junction with Voltage Monitoring <ul style="list-style-type: none"> • Bus in/bus out connections (7/8-16UN) <i>minifast</i>® • Eight (M12x1) <i>eurofast</i> connectors for field connectors • Voltage monitoring provides low voltage (12.9 V) and high voltage (25.6) indication LED indication: (Lo) < 12.9 V Amber (Ok) 12.9 - 25.6 V Green (Hi) > 25.6 V Amber 	
JBBS-57-E812	8-port Junction <ul style="list-style-type: none"> • Bus in/bus out connections (7/8-16UN) <i>minifast</i> • Eight (M12x1) <i>eurofast</i> connectors for field connectors 	

Specifications

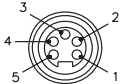


Housing:	POM (Nylon)
Coupling Nut:	Nickel Plated CuZn or Stainless Steel
Contact Carrier:	Nylon
Contacts:	Gold Plated CuZn
Protection:	NEMA 1, 3, 4, 6P and IEC IP 68
Rated Voltage:	250 V
Rated Current:	4 A
Ambient Temperature:	-40° to +75°C (-22° to +167°F)

Dimensions

8-port



Pinouts

<i>minifast</i>		<i>eurofast</i>
Male	Female	Female
		

TURCK

Network Media Products

DeviceNet™, picofast® Junctions, 4-port

- Multi-Port Passive Junction Box in Small Compact Housing
- Accepts (M8x1) Snap Lock or Threaded Connectors
- Available in Standard and Voltage Monitoring

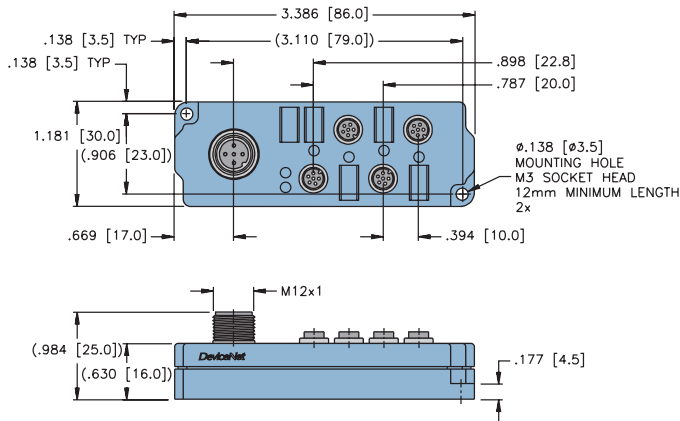


Part Number	Application	Wiring Diagrams
JBBS-57-FS-P424Z	4-port Junction Tee <ul style="list-style-type: none"> • (M12x1) <i>eurofast</i>® drop connector • Four (M8x1) <i>picofast</i> snap lock connectors 	
JBBS-57-FS-P424M	4-port Junction Tee <ul style="list-style-type: none"> • (M12x1) <i>eurofast</i> drop connector • Four (M8x1) <i>picofast</i> threaded connectors 	
JBBS-57-FS/VM-P424Z	4-port Junction Tee <ul style="list-style-type: none"> • (M12x1) <i>eurofast</i> drop connector • Four (M8x1) <i>picofast</i> snap lock connectors • Voltage monitoring provides low voltage (12.9 V) and high voltage (25.6) indication LED Indication: (Lo) < 12.9 V Amber (Ok) 12.9 - 25.6 V Green (Hi) > 25.6 V Amber	
JBBS-57-FS/VM-P424M	4-port Junction Tee <ul style="list-style-type: none"> • (M12x1) <i>eurofast</i> drop connector • Four (M8x1) <i>picofast</i> threaded connectors • Voltage monitoring provides low voltage (12.9 V) and high voltage (25.6) indication LED indication: (Lo) < 12.9 V Amber (Ok) 12.9 - 25.6 V Green (Hi) > 25.6 V Amber	
JBBS-57-FS-E424	4-port Junction Tee <ul style="list-style-type: none"> • (M12x1) <i>eurofast</i>® drop connector • Four (M12x1) <i>eurofast</i> threaded connectors 	

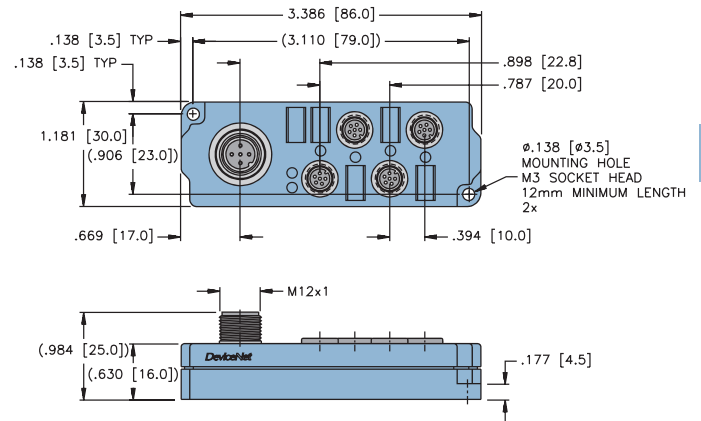
Specifications

Housing:	POM (Nylon)
Coupling Nut:	Nickel Plated CuZn or Stainless Steel
Contact Carrier:	PUR (Polyurethane) or POM (Nylon)- <i>picofast</i> [®] , POM (Nylon)- <i>eurofast</i> [®]
Contacts:	Gold Plated CuZn
Protection:	NEMA 1, 3, 4, 6P and IEC IP 67
Rated Voltage:	30 V
Rated Current:	1.5 A
Ambient Temperature:	-40° to +75°C (-22° to +167°F)

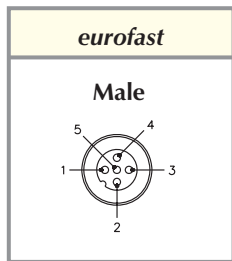
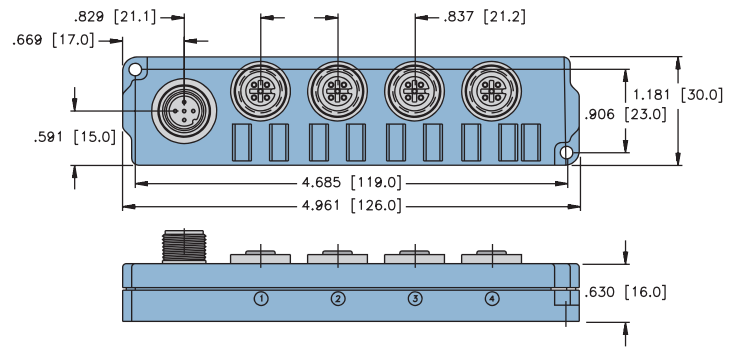
JBBS-57-FS-P424Z

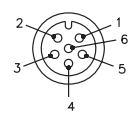
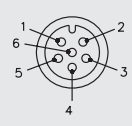


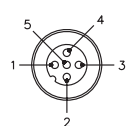
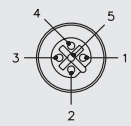
JBBS-57-FS-P424M



JBBS-57-FS-E424



<i>picofast</i>	Pinouts	<i>picofast</i>
<p>Male</p> 	<ol style="list-style-type: none"> 1. Bare (Shield Drain Wire) 2. Red (+ Voltage) 3. Black (- Voltage) 4. White (CAN_H) 5. Blue (CAN_L) 6. N/C (<i>picofast</i> only) 	<p>Female</p> 

<i>eurofast</i>	Pinouts	<i>eurofast</i>
<p>Male</p> 	<ol style="list-style-type: none"> 1. = (Shield Drain Wire) 2. = (+ Voltage) 3. = (- Voltage) 4. = (CAN_H) 5. = (CAN_L) 	<p>Female</p> 

TURCK

Network Media Products

DeviceNet™, *picofast*® Junctions, 8-port

- Multi-Port Passive Junction Box in Small Compact Housing
- Accepts (M8x1) Snap Lock or Threaded Connectors
- Available in Standard and Voltage Monitoring

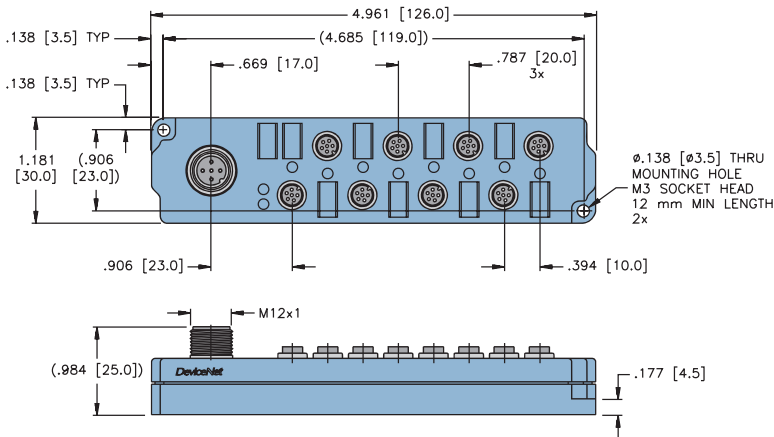


Part Number	Application	Wiring Diagrams
JBBS-57-FS-P824Z	8-port Junction Tee <ul style="list-style-type: none"> • (M12x1) <i>eurofast</i>® drop connector • Eight (M8x1) <i>picofast</i> snap lock connectors 	
JBBS-57-FS-P824M	8-port Junction Tee <ul style="list-style-type: none"> • (M12x1) <i>eurofast</i> drop connector • Eight (M8x1) <i>picofast</i> threaded connectors 	
JBBS-57-FS/VM-P824Z	8-port Junction Tee <ul style="list-style-type: none"> • (M12x1) <i>eurofast</i> drop connector • Eight (M8x1) <i>picofast</i> snap lock connectors • Voltage monitoring provides low voltage (12.9 V) and high voltage (25.6) indication LED indication: (Lo) < 12.9 V Amber (Ok) 12.9 - 25.6 V Green (Hi) > 25.6 V Amber	
JBBS-57-FS/VM-P824M	8-port Junction Tee <ul style="list-style-type: none"> • (M12x1) <i>eurofast</i> drop connector • Eight (M8x1) <i>picofast</i> threaded connectors • Voltage monitoring provides low voltage (12.9 V) and high voltage (25.6) indication LED indication: (Lo) < 12.9 V Amber (Ok) 12.9 - 25.6 V Green (Hi) > 25.6 V Amber	

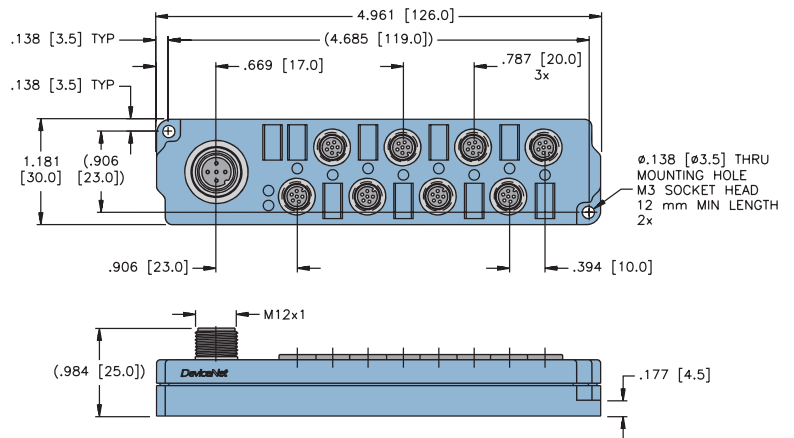
Specifications

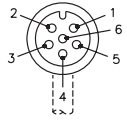
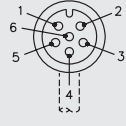
Housing:	POM (Nylon)
Coupling Nut:	Nickel Plated CuZn or Stainless Steel
Contact Carrier:	PUR (Polyurethane) or POM (Nylon)- <i>picofast</i> ®, POM (Nylon)- <i>euromast</i> ®
Contacts:	Gold Plated CuZn
Protection:	NEMA 1, 3, 4, 6P and IEC IP 67
Rated Voltage:	30 V
Rated Current:	1.5 A
Ambient Temperature:	-40° to +75°C (-22° to +167°F)

JBBS-57-FS-P824Z



JBBS-57-FS-P824M



<i>picofast</i>	Pinouts	<i>picofast</i>
<p>Male</p> 	<ol style="list-style-type: none"> 1. Bare (Shield Drain Wire) 2. Red (+ Voltage) 3. Black (- Voltage) 4. White (CAN_H) 5. Blue (CAN_L) 6. N/C (<i>picofast</i> only) 	<p>Female</p> 

TURCK

Network Media Products

DeviceNet™, minifast® Passive Multi-Port Junctions

- Rugged, Fully Encapsulated Enclosure
- For Connecting I/O in Concentrated Areas
- Bus-In / Bus-Out Eliminates Need for Splitter Tee
- Suitable for Outdoor Applications

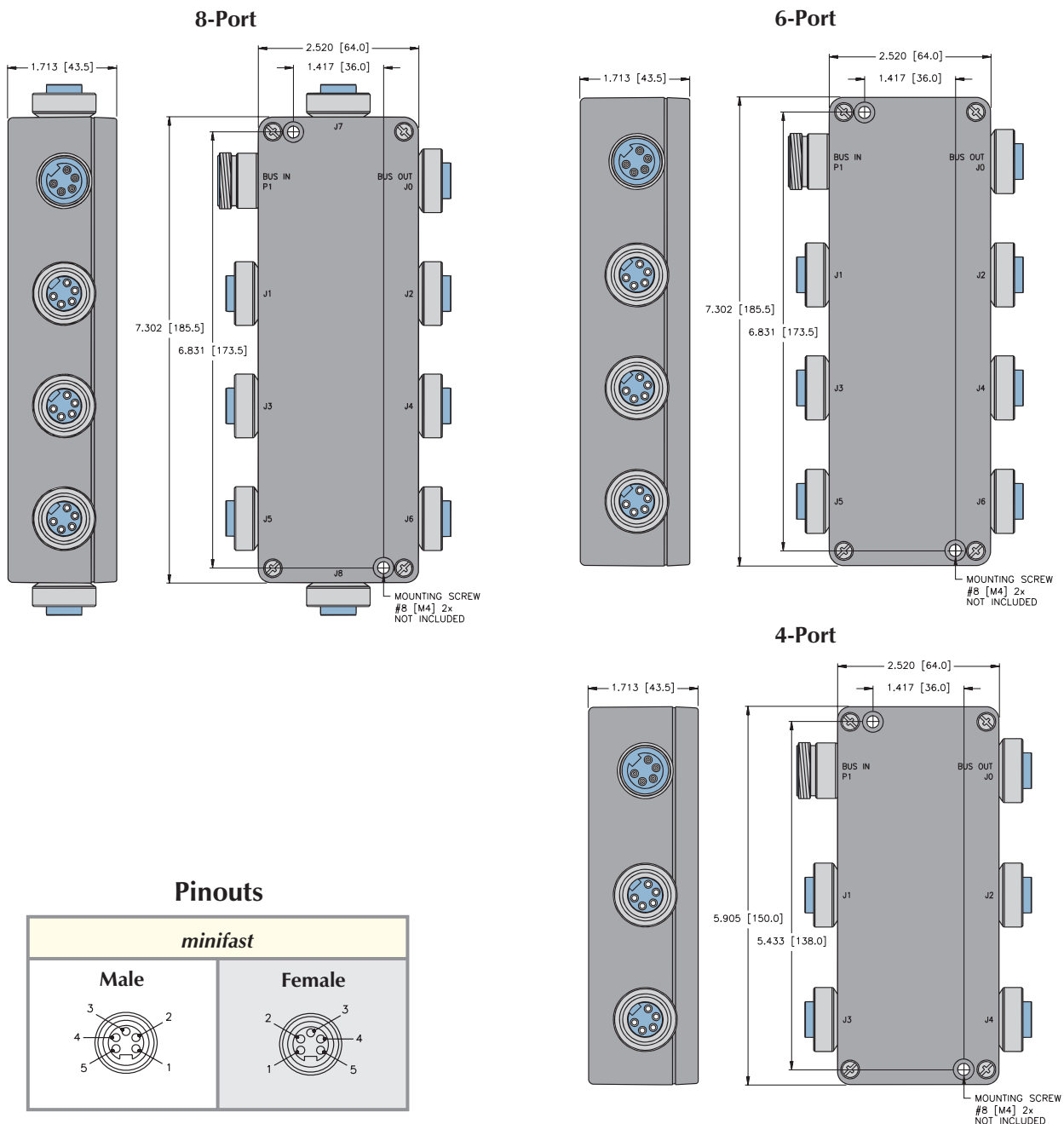


Part Number	Specs	Application	Wiring Diagrams
<p>JBBS-57-M401</p> <p>JBBS-57-M413</p>		<p>4-port Junction</p> <ul style="list-style-type: none"> • Bus in/bus out straight (7/8-16UN) <i>minifast</i> through ports • Four device ports with (7/8-16UN) <i>minifast</i> connectors 	
<p>JBBS-57-M601</p> <p>JBBS-57-M613</p>	Die-cast aluminum enclosure.	<p>6-port Junction</p> <ul style="list-style-type: none"> • Bus in/bus out straight (7/8-16UN) <i>minifast</i> through ports • Six device ports with (7/8-16UN) <i>minifast</i> connectors 	
<p>JBBS-57-M801</p> <p>JBBS-57-M813</p>		<p>8-port Junction</p> <ul style="list-style-type: none"> • Bus in/bus out straight (7/8-16UN) <i>minifast</i> through ports • Eight device ports with (7/8-16UN) <i>minifast</i> connectors 	

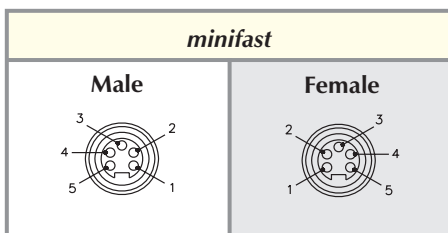
Specifications

Housing:	Anodized Aluminum
Coupling Nut:	Nickel Plated CuZn or Stainless Steel
Contact Carrier:	TPU (Polyurethane) or POM (Nylon)
Contacts:	Gold Plated CuZn
Protection:	NEMA 1, 3, 4, 6P and IEC IP 67, IP 68, IP 69K
Rated Voltage:	250 V
Rated Current:	9 A
Ambient Temperature:	-40° to +75°C (-22° to +167°F)

Dimensions



Pinouts



TURCK

Network Media Products

DeviceNet™, minifast® Passive Multi-Port Junctions

- Rugged, Fully Encapsulated Enclosure
- For Connecting I/O in Concentrated Areas
- Bus-In / Bus-Out Eliminates Need for Splitter Tee
- Suitable for Outdoor Applications



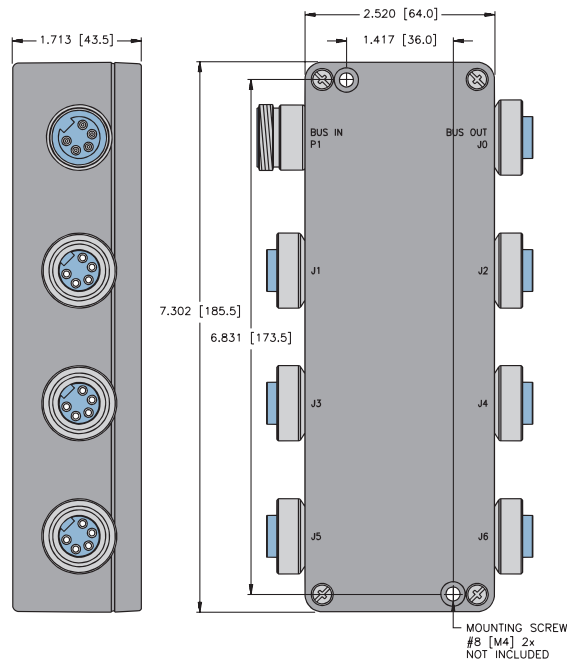
Part Number	Specs	Application	Wiring Diagrams
JBBS-57-M623	Fiberglass enclosure	<p>6-port Junction</p> <ul style="list-style-type: none"> • Bus in/bus out straight (7/8-16UN) <i>minifast</i> through ports • Six device ports with (7/8-16UN) <i>minifast</i> connectors 	

Specifications

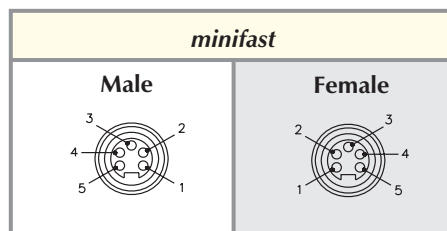
Housing:	Fiberglass
Coupling Nut:	Nickel Plated CuZn or Stainless Steel
Contact Carrier:	TPU (Polyurethane) or POM (Nylon)
Contacts:	Gold Plated CuZn
Protection:	NEMA 1, 3, 4, 6P and IEC IP 67, IP 68, IP 69K
Rated Voltage:	250 V
Rated Current:	9 A
Ambient Temperature:	-40° to +75°C (-22° to +167°F)

Dimensions

6-Port



Pinouts



TURCK

Network Media Products

DeviceNet™, eurofast® Passive Multi-Port Junctions

- Rugged, Fully Encapsulated Enclosure
- For Connecting I/O in Concentrated Areas
- Bus-In / Bus-Out Eliminates Need for Splitter Tee
- Suitable for Outdoor Applications

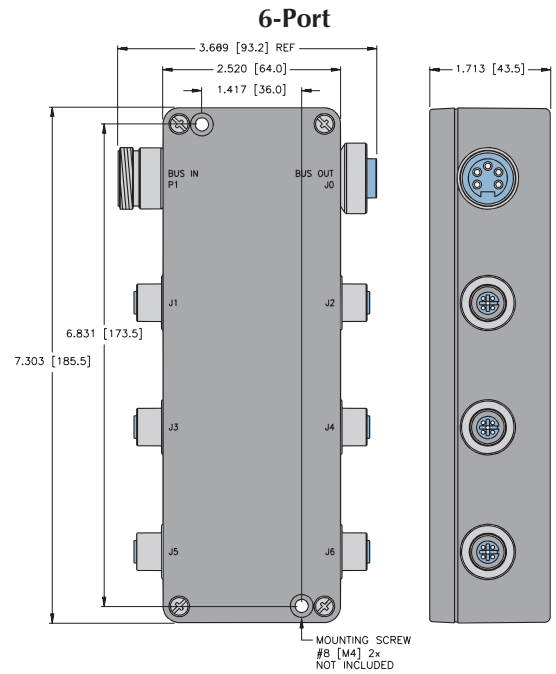
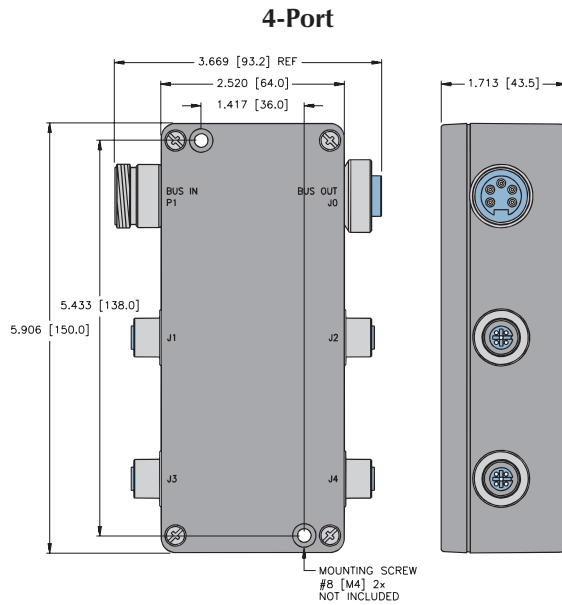


Part Number	Specs	Application	Wiring Diagram
JBBS-57-E401	Die-cast aluminum enclosure.	4-port Junction <ul style="list-style-type: none"> • Bus in/bus out straight (7/8-16UN) <i>minifast</i>® through ports • Four device ports with (M12x1) <i>eurofast</i> connectors 	
JBBS-57-E403			
JBBS-57-E411			
JBBS-57-E421	Fiberglass		
JBBS-57-E601	Die-cast aluminum enclosure.	6-port Junction <ul style="list-style-type: none"> • Bus in/bus out straight (7/8-16UN) <i>minifast</i> through ports • Six device ports with (M12x1) <i>eurofast</i> connectors 	
JBBS-57-E621	Fiberglass		

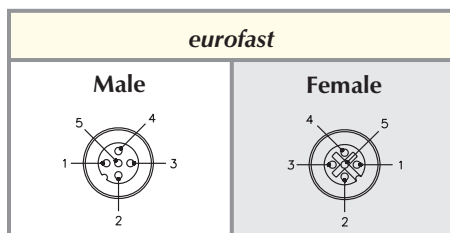
Specifications

Housing:	Anodized Aluminum/Fiberglass
Coupling Nut:	Nickel Plated CuZn or Stainless Steel
Contact Carrier:	TPU (Polyurethane) or POM (Nylon)
Contacts:	Gold Plated CuZn
Protection:	NEMA 1, 3, 4, 6P and IEC IP 67, IP 68, IP 69K
Rated Voltage:	250 V
Rated Current:	4 A
Ambient Temperature:	-40° to +75°C (-22° to +167°F)

Dimensions



Pinouts



TURCK

Network Media Products

DeviceNet™, eurofast® Passive Multi-Port Junctions

- Rugged, Fully Encapsulated Enclosure
- For Connecting I/O in Concentrated Areas
- Bus-In / Bus-Out Eliminates Need for Splitter Tee
- Suitable for Outdoor Applications

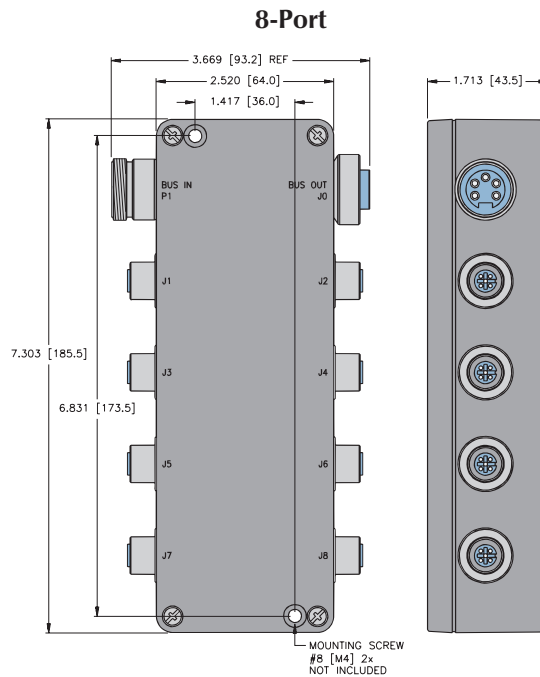


Part Number	Specs	Application	Wiring Diagram
JBBS-57-E801	Die-cast aluminum enclosure.	8-port Junction	
JBBS-57-E803			
JBBS-57-E821	Fiberglass	<ul style="list-style-type: none"> • Bus in/bus out straight (7/8-16UN) <i>minifast</i> through ports • Eight device ports with (M12x1) <i>eurofast</i> connectors 	

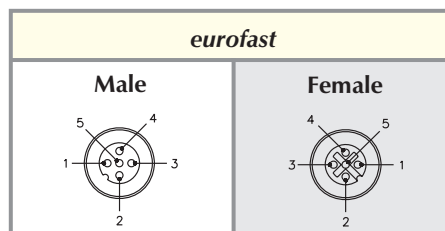
Specifications

Housing:	Anodized Aluminum/Fiberglass
Coupling Nut:	Nickel Plated CuZn or Stainless Steel
Contact Carrier:	TPU (Polyurethane) or POM (Nylon)
Contacts:	Gold Plated CuZn
Protection:	NEMA 1, 3, 4, 6P and IEC IP 67, IP 68, IP 69K
Rated Voltage:	250 V
Rated Current:	4 A
Ambient Temperature:	-40° to +75°C (-22° to +167°F)

Dimensions



Pinouts



TURCK

Network Media Products

DeviceNet™, eurofast® Passive Multi-Port Junctions

- Rugged, Fully Encapsulated Enclosure
- For Connecting I/O in Concentrated Areas
- Bus-In / Bus-Out Eliminates Need for Splitter Tee
- Suitable for Outdoor Applications

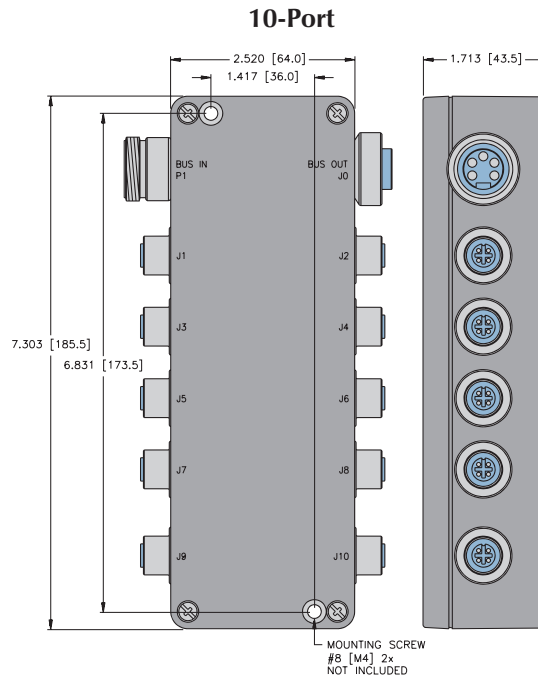


Part Number	Specs	Application	Wiring Diagram
<p>JBBS-57-E1001</p>	<p>Die-cast aluminum enclosure.</p>	<p>10-port Junction</p> <ul style="list-style-type: none"> • Bus in/bus out straight (7/8-16UN) <i>minifast</i>® through ports • Ten device ports with (M12x1) <i>eurofast</i> connectors 	

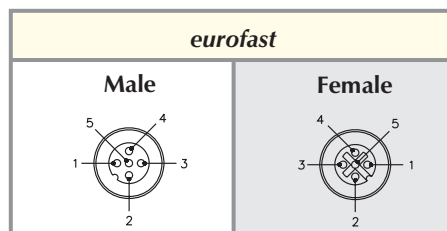
Specifications

Housing:	Anodized Aluminum
Coupling Nut:	Nickel Plated CuZn or Stainless Steel
Contact Carrier:	TPU (Polyurethane) or POM (Nylon)
Contacts:	Gold Plated CuZn
Protection:	NEMA 1, 3, 4, 6P and IEC IP 67, IP 68, IP 69K
Rated Voltage:	250 V
Rated Current:	4 A
Ambient Temperature:	-40° to +75°C (-22° to +167°F)

Dimensions



Pinouts



TURCK

Network Media Products

DeviceNet™, eurofast® Passive Multi-Port Junctions

- Switchable DeviceNet Diagnostic Box
- Used fo DeviceNet Troubleshooting

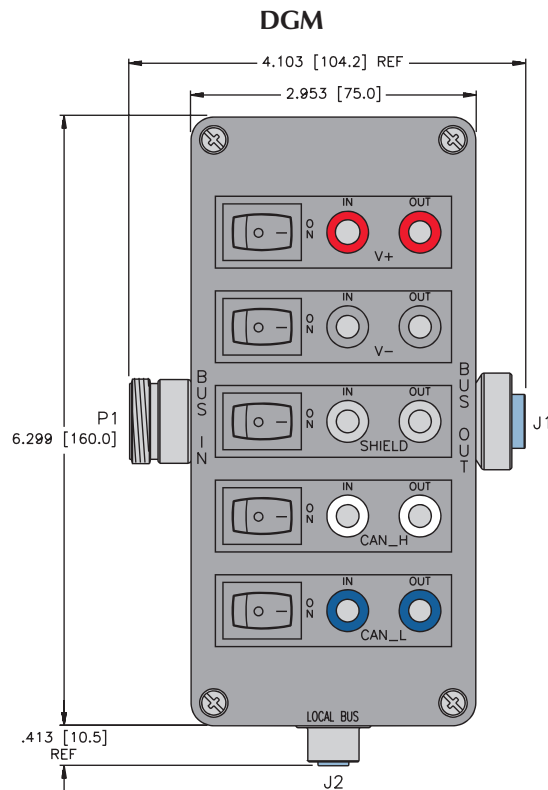


Part Number	Specs	Application	Wiring Diagram
<p style="text-align: center;">JBBS-57-DGM</p>	<p style="text-align: center;">Fiberglass</p>	<p style="text-align: center;">Diagnostic Box</p> <ul style="list-style-type: none"> • Taps into CAN_H, CAN_L, V+, V- and SHIELD • Used to diagnose DeviceNet (should not be installed permanently on network) 	

Specifications

Housing:	Fiberglass
Coupling Nut:	Nickel Plated CuZn or Stainless Steel
Contact Carrier:	TPU (Polyurethane) or POM (Nylon)
Contacts:	Gold Plated CuZn
Protection:	IEC IP20
Rated Voltage:	250 V
Rated Current:	4 A
Ambient Temperature:	-40° to +75°C (-22° to +167°F)

Dimensions



Pinouts

<i>euromast</i> Male	<i>minifast</i> Male	<i>minifast</i> Female

TURCK

Network Media Products

DeviceNet™, eurofast® Passive Multi-Port Junctions

- System Module Junction Box

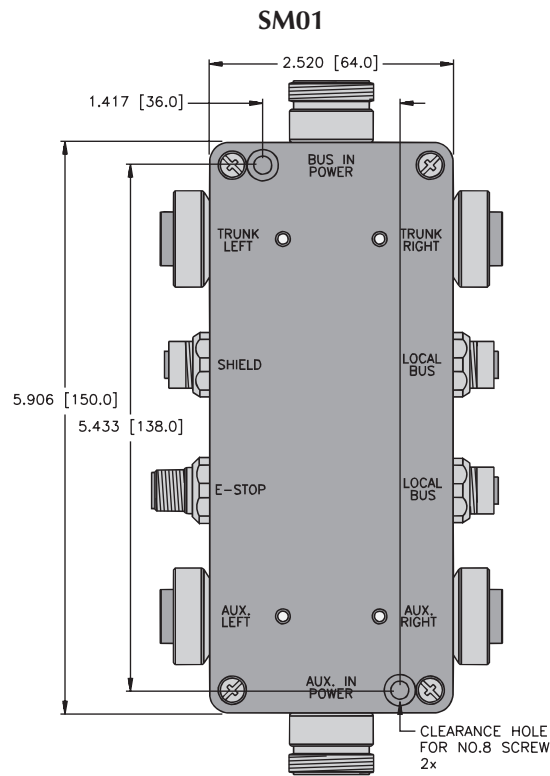


Part Number	Specs	Application	Wiring Diagram
JBBS-57-SM01	Die-cast aluminum enclosure.	<p>System module with two circuit groups</p> <ul style="list-style-type: none"> • DeviceNet circuit • Supplies DC power • Two drops • Auxiliary power • Supplies DC power • Catagory 2 E-stop • General purpose • M(machine)-stop 	

Specifications

Housing:	Anodized Aluminum
Coupling Nut:	Nickel Plated CuZn or Stainless Steel
Contact Carrier:	TPU (Polyurethane) or POM (Nylon)
Contacts:	Gold Plated CuZn
Protection:	NEMA 1, 3, 4, 6P and IEC IP 67, IP 68, IP 69K
Rated Voltage:	250 V
Rated Current:	4 A
Ambient Temperature:	-40° to +75°C (-22° to +167°F)

Dimensions



TURCK

Network Media Products

DeviceNet™, minifast® Junction Tee

- **Indoor Use Only**
(for outdoor applications use JBBS family)
- **Multi-Port Junction Provides a Rugged Connection to Network Devices**
- **Bus-in/Bus-out Feature Eliminates Need for Splitter Tee**



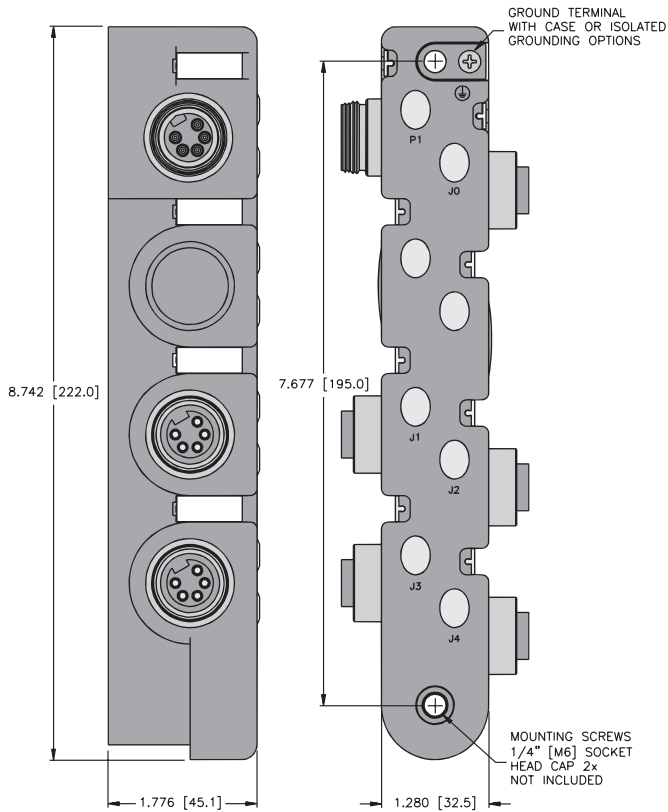
Part Number	Application	Wiring Diagrams
JTBS 57-M433	<p>4-port Junction Tee</p> <ul style="list-style-type: none"> • (7/8-16UN) <i>minifast</i> bus in/bus out connections • Four (7/8-16UN) <i>minifast</i> device ports • For nickel plated brass connectors change part number to JTBS 57-M434 	
JTBS 57VM-M433	<p>4-port Junction Tee</p> <ul style="list-style-type: none"> • (7/8-16UN) <i>minifast</i> bus in/bus out connections • Four (7/8-16UN) <i>minifast</i> device ports • For nickel plated brass connectors change part number to JTBS 57VM-M434 • Voltage monitoring provides low voltage (12.9 V) and high voltage (25.6) indication LED indication: (Lo) < 12.9 V Amber (Ok) 12.9 - 25.6 V Green (Hi) > 25.6 V Amber • CL I, Div 2; Groups A-D see TURCK drawing N1-2.400 T6, Ta = 70°C 	
JTBS 57-M633	<p>6-port Junction Tee</p> <ul style="list-style-type: none"> • (7/8-16UN) <i>minifast</i> bus in/bus out connections • Six (7/8-16UN) <i>minifast</i> device ports • For nickel plated brass connectors change part number to JTBS 57-M634 	
JTBS 57VM-M633	<p>6-port Junction Tee</p> <ul style="list-style-type: none"> • (7/8-16UN) <i>minifast</i> bus in/bus out connections • Six (7/8-16UN) <i>minifast</i> device ports • For nickel plated brass connectors change part number to JTBS 57VM-M634 • Voltage monitoring provides low voltage (12.9 V) and high voltage (25.6) indication LED indication: (Lo) < 12.9 V Amber (Ok) 12.9 - 25.6 V Green (Hi) > 25.6 V Amber • CL I, Div 2; Groups A-D see TURCK drawing N1-2.400 T6, Ta = 70°C 	

Specifications

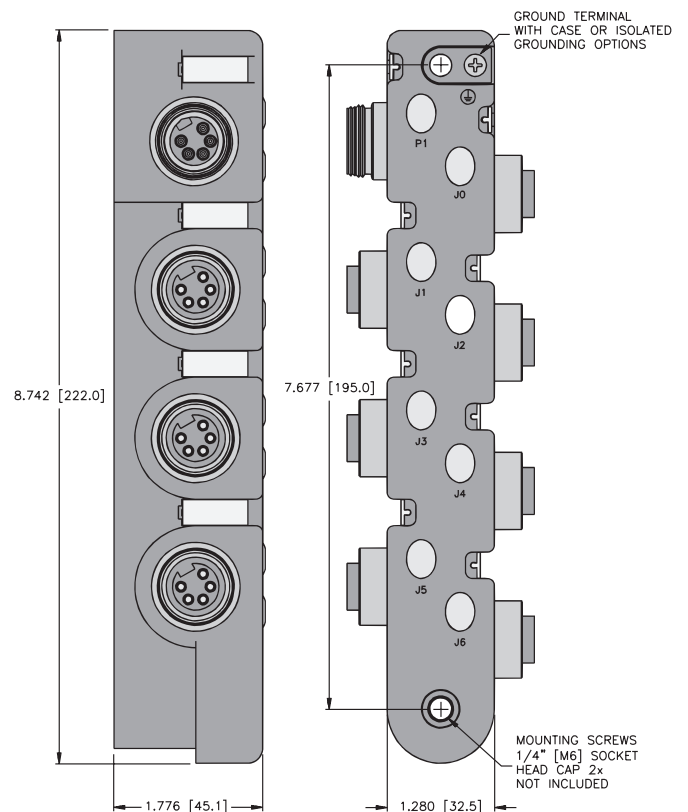
Housing:	PUR (Polyurethane)
Coupling Nut:	Nickel Plated CuZn or Stainless Steel
Contact Carrier:	PUR (Polyurethane) or POM (Nylon)
Contacts:	Gold Plated CuZn
Protection:	NEMA 1, 3, 4, 6P and IEC IP 67
Rated Voltage:	300 V
Rated Current:	9 A
Ambient Temperature:	-40° to +75°C (-22° to +167°F)

Dimensions

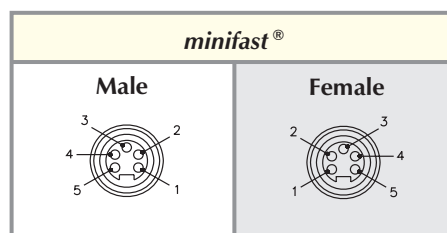
4-port



6-port



Pinouts



TURCK

Network Media Products

DeviceNet™, eurofast® Junction Tee

- **Indoor Use Only**
(for outdoor applications use *JBBS* family)
- **Multi-Port Junction Provides a Rugged Connection to Network Devices**
- **Bus-in/Bus-out Feature Eliminates Need for Splitter Tee**



Part Number	Application	Wiring Diagrams
JTBS 57-E433	<p>4-port Junction Tee</p> <ul style="list-style-type: none"> • (7/8-16UN) <i>minifast</i>® bus in/bus out connections • Four (M12x1) <i>eurofast</i> device ports • For nickel plated brass connectors change part number to JTBS 57-E434 	
JTBS 57VM-E433	<p>4-port Junction Tee</p> <ul style="list-style-type: none"> • (7/8-16UN) <i>minifast</i> bus in/bus out connections • Four (M12x1) <i>eurofast</i> device ports • For nickel plated brass connectors change part number to JTBS 57VM-E434 • Voltage monitoring provides low voltage (12.9 V) and high voltage (25.6) indication LED indication: (Lo) < 12.9 V Amber (Ok) 12.9 - 25.6 V Green (Hi) > 25.6 V Amber • CL I, Div 2; Groups A-D see TURCK drawing N1-2.400 T6, Ta = 70°C 	
JTBS 57-E633	<p>6-port Junction Tee</p> <ul style="list-style-type: none"> • (7/8-16UN) <i>minifast</i> bus in/bus out connections • Six (M12x1) <i>eurofast</i> device ports • For nickel plated brass connectors change part number to JTBS 57-E634 	
JTBS 57VM-E633	<p>6-port Junction Tee</p> <ul style="list-style-type: none"> • (7/8-16UN) <i>minifast</i> bus in/bus out connections • Six (M12x1) <i>eurofast</i> device ports • For nickel plated brass connectors change part number to JTBS 57VM-E634 • Voltage monitoring provides low voltage (12.9 V) and high voltage (25.6) indication LED indication: (Lo) < 12.9 V Amber (Ok) 12.9-25.6 V Green (Hi) > 25.6 V Amber • CL I, Div 2; Groups A-D see TURCK drawing N1-2.400 T6, Ta = 70°C 	

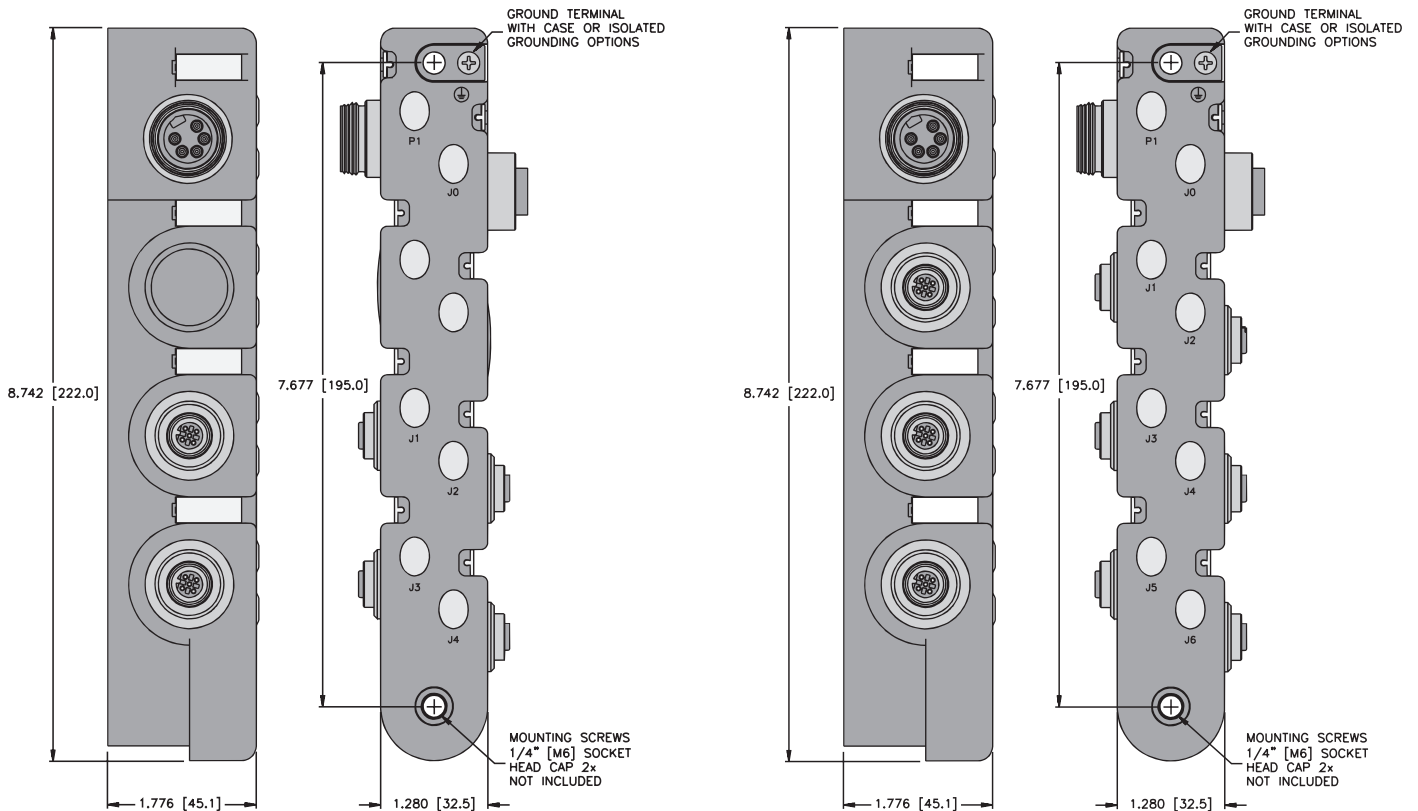
Specifications

Housing:	PUR (Polyurethane)
Coupling Nut:	Nickel Plated CuZn or Stainless Steel
Contact Carrier:	POM (Nylon)
Contacts:	Gold Plated CuZn
Protection:	NEMA 1, 3, 4, 6P and IEC IP 67
Rated Voltage:	250 V
Rated Current:	4 A
Ambient Temperature:	-40° to +75°C (-22° to +167°F)

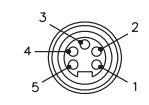
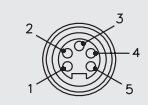
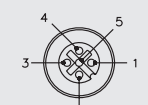
Dimensions

4-port

6-port



Pinouts

<i>minifast</i> ®		<i>eurofast</i> ®
Male	Female	Female
		

TURCK

Network Media Products

DeviceNet™, eurofast® Drop Junctions

- Creates a Drop or Branch from the Main Bus Line
- Cable Drop Lengths Available Up to a Maximum of 6 Meters



Housing	Part Number	Application	Wiring Diagrams
	VB2-FKM/FKM/FSM 57	VB2 Junction <ul style="list-style-type: none"> • Ready for <i>eurofast</i> drop and trunk cordsets • Maximum six meter drop 	
	VB2-RKC 57x-*M-FKM FSM	VB2 Junction with Trunk Line <ul style="list-style-type: none"> • Ready for <i>eurofast</i> trunk line • Maximum six meter drop 	
	VB2-FKM/RKC RSC 57x-*M/*M	VB2 Junction with Trunk Line <ul style="list-style-type: none"> • Ready for <i>eurofast</i> drop cordsets • Maximum six meter branch 	

* Indicates length in meters.
 x Indicates cable type.

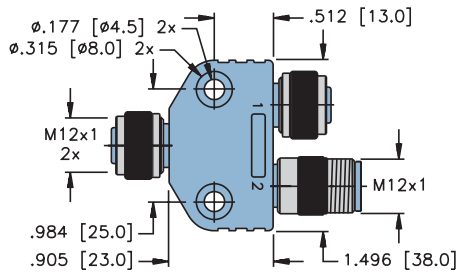
Specifications

Housing:	PUR (Polyurethane)
Coupling Nut:	Nickel Plated CuZn or Stainless Steel
Contact Carrier:	PUR (Polyurethane) or POM (Nylon)
Contacts:	Gold Plated CuZn
Protection:	NEMA 1, 3, 4, 6P and IEC IP 68
Rated Voltage:	250 V
Rated Current:	4 A
Ambient Temperature:	-40° to +75°C (-22° to +167°F)

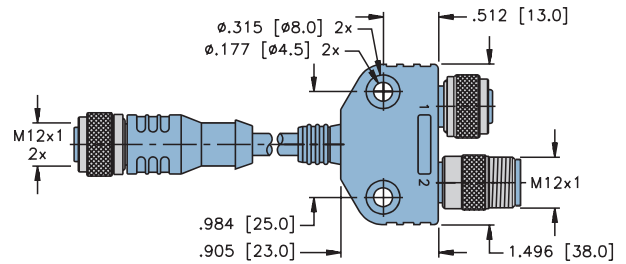
Mounting: Mounting hole accepts #8 screw.

DeviceNet Media

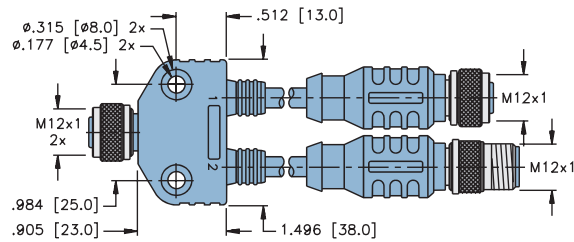
VB2-FKM/FKM/FSM 57



VB2-RKC 57x-*M-FKM FSM



VB2-FKM/RKC RSC 57x-*M/*M



Pinouts

