

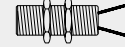
# TURCK Cylinder Position Sensors

## QST



### Cylinder Position Indicators, Strap-On Style Plastic Housing with Potted-in Cable *permaprox*®

2-Wire DC, Requires Remote Amplifier



5-30 VDC

Variable Resistance Output, NAMUR (EN 50227)

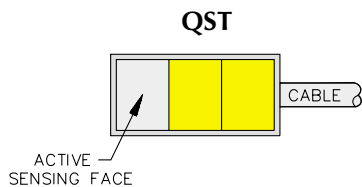


## Sensor Selection

Part Number	Embeddable	Drawing #	Wiring Diagram	# of LEDs	Switching Frequency	FM Approved Division 1 *	Max. Approach Velocity (m/s)	ID Number	Connection
BIM-QST-Y1X	•	1	A	1	1000	•	10	M1058000	2 meter cable, PVC Jacket

\* Factory Mutual approval applies only when used with Factory Mutual approved switching amplifiers.

## Sensing Face (Bottom view)



## Cable/Conductor

Cable: PVC Jacket; 2 meter standard length  
Copper Conductor: 24 AWG (PVC insulated)

## Material

Housing: PA 12-GF30 Plastic  
Sensing Face: PA 12-GF30 Plastic

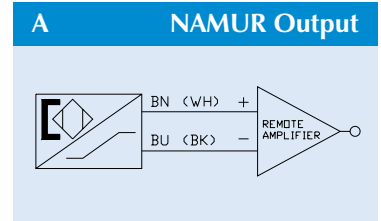
## Accessories

*permaprox* accessories can be found on pages E17 and E18.  
Mounting Clamp not included with sensor.  
See Mounting information on pages E9-E16.  
Remote Amplifier required. Consult "*Automation Controls*" catalog.

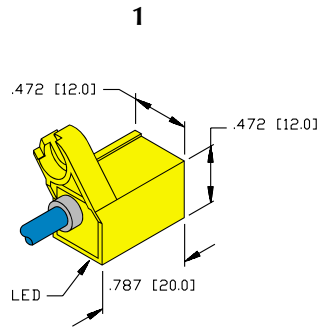
## Specifications

Nominal Voltage . . . . .	8.2 VDC (EN 50227)
Resistance Change from Nonactivated to Activated Condition . . . . .	>8.0 kΩ to 1.0 kΩ
Resulting Current Change . . . . .	≤1.0 mA to ≥2.2 mA
Recommended Switching Point for Remote Amplifier . . . . .	1.55 mA
Power-On Effect . . . . .	Realized in Amplifier
Reverse Polarity Protection . . . . .	Incorporated
Wire-Break Protection . . . . .	Realized in Amplifier
Transient Protection . . . . .	Realized in Amplifier
Operating Temperature . . . . .	-25°C to +70°C (-13°F to +158°F)
Enclosure . . . . .	Meets NEMA 1,3,4,6,13 and IEC IP 67
Shock . . . . .	30 g, 11 ms
Vibration . . . . .	55 Hz, 1 mm Amplitude in all 3 Planes
Repeatability . . . . .	≤0.1 mm (constant temperature & voltage)
Temperature Drift . . . . .	≤0.1 mm
Magnetic Actuation Strength . . . . .	20-350 Gauss (2-35 mT)
LED On . . . . .	Output Energized

## Wiring Diagram



## Dimensions



Note: Mounting Clamp must be ordered separately.

# TURCK Cylinder Position Sensors

**AKT**



## Cylinder Position Indicators, Clamp-On Style with Cable or Quick Disconnect *permaprox*®

2-Wire DC, Requires Remote Amplifier  
5-30 VDC  
Variable Resistance Output, NAMUR (EN 50227)



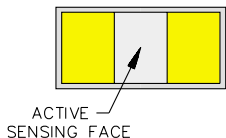
### Sensor Selection

Part Number	Embeddable	Drawing #	Wiring Diagram	# of LEDs	Switching Frequency	FM Approved Division 1 *	Max. Approach Velocity (m/s)	ID Number	Connection
BIM-AKT-Y1X	•	1	A	1	1000	•	10	M1055090	2 meter cable, PVC Jacket Copper Conductors 24 AWG (PVC insulated)
BIM-AKT-Y1X-H1141	•	2	B	1	1000	•	10	M1055290	<b>eurofast</b> <b>Mating Cordsets</b> RK 4.21T-2 (2 meter) For other styles see Section H or consult "Cordsets" catalog

\* Factory Mutual approval only applies when used with Factory Mutual approved switching amplifiers.

### Sensing Face (Bottom view)

**AKT**



### Material

Connector / Housing: PA 12-GF30 Plastic  
Sensing Face: PA 12-GF30 Plastic  
Mounting Clamp: Die-Cast Zinc

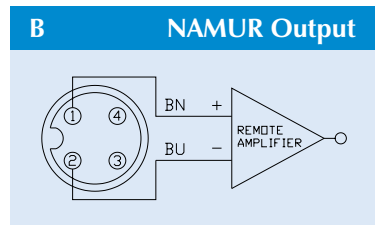
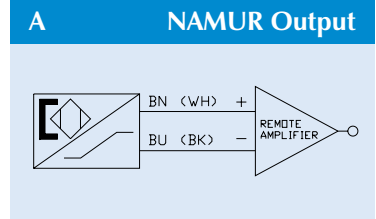
### Accessories

*permaprox* accessories can be found on pages E17 and E18.  
Mounting Clamp KLA-1 included with sensor.  
See Mounting information on pages E9-E16.  
Remote Amplifier required. Consult "*Automation Controls*" catalog.

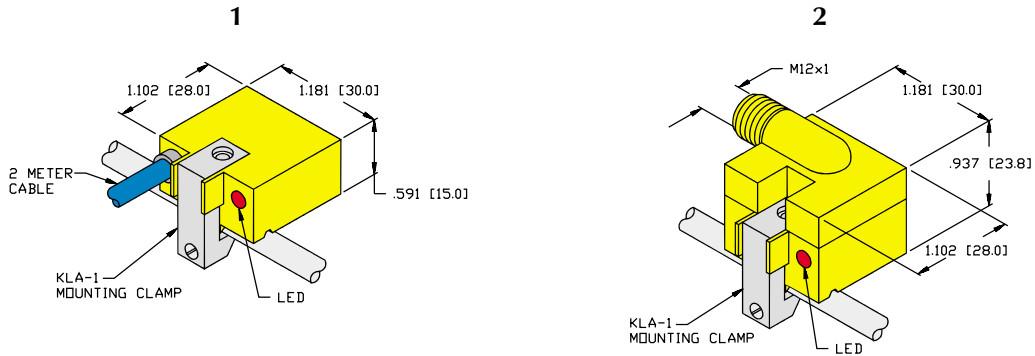
## Specifications

Nominal Voltage . . . . .	8.2 VDC (EN 50227)
Resistance Change from Nonactivated to Activated Condition . . . . .	>8.0 kΩ to 1.0 kΩ
Resulting Current Change . . . . .	≤1.0 mA to ≥2.2 mA
Recommended Switching Point for Remote Amplifier . . . . .	1.55 mA
Power-On Effect . . . . .	Realized in Amplifier
Reverse Polarity Protection . . . . .	Incorporated
Wire-Break Protection . . . . .	Realized in Amplifier
Transient Protection . . . . .	Realized in Amplifier
Operating Temperature . . . . .	-25°C to +70°C (-13°F to +158°F)
Enclosure . . . . .	Meets NEMA 1,3,4,6,13 and IEC IP 67
Shock . . . . .	30 g, 11 ms
Vibration . . . . .	55 Hz, 1 mm Amplitude in all 3 Planes
Repeatability . . . . .	≤0.1 mm (constant temperature & voltage)
Temperature Drift . . . . .	≤0.1 mm
Magnetic Actuation Strength . . . . .	20-350 Gauss (2-35 mT)
LED On . . . . .	Output Energized

## Wiring Diagrams



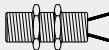
## Dimensions



**PST**



**Cylinder Position Indicators, Strap-On Style**  
Plastic Housing with Potted-in Cable *permaprox*®

2-Wire DC, Requires Remote Amplifier   
5-30 VDC  
Variable Resistance Output, NAMUR (EN 50227)



**INT**



**Sensor Selection**

Part Number	Embeddable	Drawing #	Wiring Diagram	# of LEDs	Switching Frequency	FM Approved Division 1 *	Max. Approach Velocity (m/s)	ID Number	Connection
BIM-PST-Y1X	•	1	A	1	1000	•	10	M1057090	2 meter cable, PVC Jacket
BIM-INT-Y1X	•	2	A	1	1000	•	10	M1056800	

\* Factory Mutual approval applies only when used with Factory Mutual approved switching amplifiers.

**Round Cylinder Mounting Strap Part Numbers and Diameters (for INT style)**  
**KLR-1 mounting bracket required for use with ASB straps.**

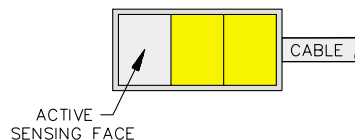
Part Numbers	ASB-2	ASB-3	ASB-4	ASB-5	ASB-6	ASB-7	ASB-9
Cylinder Diameter (mm)	11-19	18-29	28-39	38-49	48-59	58-69	68-89

**Cable/Conductor**

Cable: PVC Jacket; 2 meter standard length  
Copper Conductor: 24 AWG (PVC insulated)

**Sensing Face** (Bottom view)

PST & INT



**Material**

Housing: PA 12-GF30 Plastic; INT: PA 12  
Sensing Face: PA 12-GF30 Plastic; INT: PA 12  
Mounting Bands: Stainless Steel  
Mounting Screw(INT): Brass

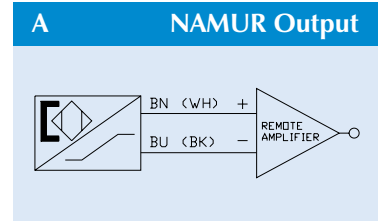
**Accessories**

*permaprox* accessories can be found on pages E17 and E18.  
Mounting Band KLP-80 included with sensor.  
See Mounting information on pages E9-E16.  
Remote Amplifier required. Consult "Automation Controls" catalog.

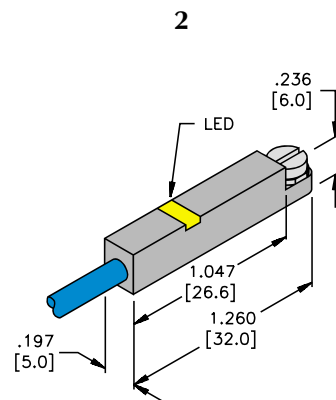
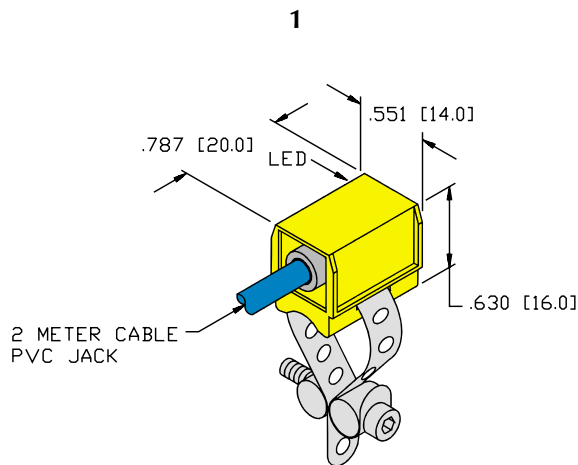
## Specifications

Nominal Voltage . . . . .	8.2 VDC (EN 50227)
Resistance Change from Nonactivated to Activated Condition . . . . .	>8.0 kΩ to 1.0 kΩ
Resulting Current Change . . . . .	≤1.0 mA to ≥2.2 mA
Recommended Switching Point for Remote Amplifier . . . . .	1.55 mA
Power-On Effect . . . . .	Realized in Amplifier
Reverse Polarity Protection . . . . .	Incorporated
Wire-Break Protection . . . . .	Realized in Amplifier
Transient Protection . . . . .	Realized in Amplifier
Operating Temperature . . . . .	-25°C to +70°C (-13°F to +158°F)
Enclosure . . . . .	Meets NEMA 1,3,4,6,13 and IEC IP 67
Shock . . . . .	30 g, 11 ms
Vibration . . . . .	55 Hz, 1 mm Amplitude in all 3 Planes
Repeatability . . . . .	≤0.1 mm (constant temperature & voltage)
Temperature Drift . . . . .	≤0.1 mm
Magnetic Actuation Strength . . . . .	20-350 Gauss (2-35 mT)
LED On . . . . .	Output Energized

## Wiring Diagram



## Dimensions



SW 2.5 mm mounting screw.

# Inductive Cylinder Position Sensors



Housing Style	Part Number	ID Number	Features	Magnetic Actuation Strength (Gauss)	Output
<b>12 mm - eurofast® Connector</b> 	BIM-M12E-AG4X-H1141/S235	M1579910	Up to 90 mm Range	5 Typical	2-Wire DC
	BIM-M12E-AN4X-H1141	M1579914	Up to 90 mm Range	5 Typical	3-Wire DC NPN
	BIM-EM12E-AP4X-H1141	M1579915	Up to 90 mm Range	5 Typical	3-Wire DC PNP
	BIM-M12E-AP4X-H1141	M1579913	Up to 90 mm Range	5 Typical	
	BIM-M12E-Y1X-H1141	M1074003	Up to 90 mm Range	5 Typical	2-Wire DC NAMUR
<b>12 mm - Potted-In Cable</b> 	BIM-M12E-AG4X	M4430200	Up to 90 mm Range	5 Typical	2-Wire DC
	BIM-EM12E-AN4X	M1579922	Up to 90 mm Range	5 Typical	3-Wire DC NPN
	BIM-M12E-AN4X	M1579912	Up to 90 mm Range		
	BIM-EM12E-AP4X	M1579918	Up to 90 mm Range	5 Typical	3-Wire DC PNP
	BIM-M12E-AP4X/S90	M1579911	Up to 90 mm Range		
	BIM-EM12E-Y1X	M1070036	Up to 90 mm Range	5 Typical	2-Wire DC NAMUR
	BIM-M12E-Y1X	M1074002	Up to 90 mm Range	5 Typical	

For detailed sensor specifications see Section M.  
Normally Closed versions available upon request, consult factory.



Voltage	Switching Freq. (Hz)	Operating Current (mA) VAC/VDC	Operating Temp. (°C)	Protection	Housing	Face	Power LED	Output LED	Mating Cord, Cable Length/Jacket	Wiring Diagram #	Wiring Diagrams
10-65 VDC	300	≤200	-25 to +70	IP 67	CPB	POM	N/A	YE	RK 4.2T-*	4	<p><b>Diagram 1</b></p>
	1000	≤200	-25 to +70	IP 67	CPB	POM	N/A	YE	RK 4T-*	1	<p><b>Diagram 2</b></p>
10-65 VDC	1000	≤200	-25 to +70	IP 67	SS	POM	N/A	YE	RK 4T-*	2	<p><b>Diagram 3</b></p>
	1000	≤200	-25 to +70	IP 67	CPB	POM	N/A	YE	RK 4T-*	2	
5-30 VDC	1000	Remote	-25 to +70	IP 67	CPB	POM	N/A	YE	RK 4.21T-*	3	<p><b>Diagram 4</b></p>
10-65 VDC	1000	≤100	-25 to +70	IP 67	CPB	POM	N/A	YE	2M/PUR	4	
10-65 VDC	1000	≤200	-25 to +70	IP 67	SS	POM	N/A	YE	2M/PUR	5	<p><b>Diagram 5</b></p>
	1000	≤200	-25 to +70	IP 67	CPB	POM	N/A	YE	2M/PUR	5	
10-65 VDC	1000	≤200	-25 to +70	IP 67	SS	POM	N/A	YE	2M/PUR	6	<p><b>Diagram 6</b></p>
	1000	≤200	-25 to +70	IP 67	CPB	POM	N/A	YE	2M/PUR	6	
5-30 VDC	1000	Remote	-25 to +70	IP 67	SS	POM	N/A	YE	2M/PUR	7	<p><b>Diagram 7</b></p>
	1000	Remote	-25 to +70	IP 67	CPB	POM	N/A	YE	2M/PUR	7	

\* Length in meters.

For material descriptions see page M22.

# Inductive Cylinder Position Sensors



Housing Style	Part Number	ID Number	Features	Magnetic Actuation Strength (Gauss)	Output
<b>8 mm - Barrel, <i>picofast</i>® Connector</b> 	BIM-EG08-AN6X-V1131	S4621303	Up to 78 mm Range	7.5 Typical	3-Wire DC NPN
	BIM-EG08-AP6X-V1131	S4621314	Up to 78 mm Range	7.5 Typical	3-Wire DC PNP
<b>8 mm - Barrel, <i>euofast</i>® Connector</b> 	BIM-EG08-AN6X-H1341	S4621301	Up to 78 mm Range	7.5 Typical	3-Wire DC NPN
	BIM-EG08-AP6X-H1341	S4621311	Up to 78 mm Range	7.5 Typical	3-Wire DC PNP
	BIM-EG08-Y1X-H1341	S1074001	Up to 78 mm Range	7.5 Typical	2-Wire DC NAMUR
<b>8 mm - Barrel, Potted-In Cable</b> 	BIM-EG08-AN6X	S4621300	Up to 78 mm Range	7.5 Typical	3-Wire DC NPN
	BIM-EG08-AP6X	S4621310	Up to 78 mm Range	7.5 Typical	3-Wire DC PNP
	BIM-EG08-Y1X	S1074000	Up to 78 mm Range	7.5 Typical	2-Wire DC NAMUR

For detailed sensor specifications see Section M.  
Normally Closed versions available upon request, consult factory.



Voltage	Switching Freq. (Hz)	Operating Current (mA) VAC/VDC	Operating Temp. (°C)	Protection	Housing	Face	Power LED	Output LED	Mating Cord, Cable Length/Jacket	Wiring Diagram #	Wiring Diagrams
10-30 VDC	1000	≤150	-25 to +70	IP 67	SS	PA 12	N/A	YE	PKG 3Z-*	4	<p><b>Diagram 1</b></p>
10-30 VDC	1000	≤150	-25 to +70	IP 67	SS	PA 12	N/A	YE	PKG 3Z-*	5	<p><b>Diagram 2</b></p>
10-30 VDC	1000	≤150	-25 to +70	IP 67	SS	PA 12	N/A	YE	RK 4T-*	6	<p><b>Diagram 3</b></p>
10-30 VDC	1000	≤150	-25 to +70	IP 67	SS	PA 12	N/A	YE	RK 4T-*	7	<p><b>Diagram 4</b></p>
5-30 VDC	1000	Remote	-25 to +70	IP 67	SS	PA 12	N/A	YE	RK 4.21T-*	8	<p><b>Diagram 5</b></p>
10-30 VDC	1000	≤150	-25 to +70	IP 67	SS	PA 12	N/A	YE	2M/PUR	1	<p><b>Diagram 6</b></p>
10-30 VDC	1000	≤150	-25 to +70	IP 67	SS	PA 12	N/A	YE	2M/PUR	2	<p><b>Diagram 7</b></p>
5-30 VDC	1000	Remote	-25 to +70	IP 67	SS	PA 12	N/A	YE	2M/PUR	3	<p><b>Diagram 8</b></p>

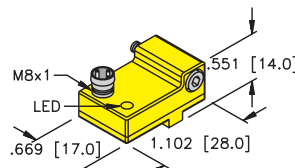
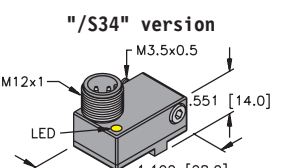
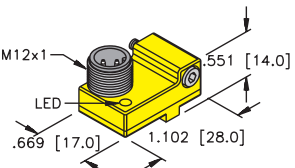
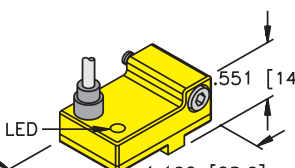
\* Length in meters.

For material descriptions see page M22.

Cylinder

# Inductive Cylinder Position Sensors



Housing Style	Part Number	ID Number	Features	Magnetic Actuation Strength (Gauss)	Output
<b>NST - picrofast® Connector</b>  	BIM-NST-AN6X-V1131	M4685900	w/o Bracket	20-350	3-Wire DC NPN
	BIM-NST-AP6X-V1131	M4685800	w/o Bracket	20-350	3-Wire DC PNP
<b>NST - eurofast® Connector</b>    	BIM-NST-AN6X-H1141/S34	M4685501	w/o Bracket	20-350	3-Wire DC NPN
	BIM-NST-AN6X-H1141	M4685500	w/o Bracket	20-350	
	BIM-NST-AP6X-H1141/S34	M4685401	w/o Bracket	20-350	3-Wire DC PNP
	BIM-NST-AP6X-H1141	M4685400	w/o Bracket	20-350	
<b>NST - Potted-In Cable</b>  	BIM-NST-AN6X	M4685700	w/o Bracket	20-350	3-Wire DC NPN
	BIM-NST-AP6X	M4685600	w/o Bracket	20-350	3-Wire DC PNP
	BIM-NST-Y1X	M1058400	w/o Bracket	20-350	2-Wire DC NAMUR

For detailed sensor specifications see Section M.  
Normally Closed versions available upon request, consult factory.



Voltage	Switching Freq. (Hz)	Operating Current (mA) VAC/VDC	Operating Temp. (°C)	Protection	Housing	Face	Power LED	Output LED	Mating Cord, Cable Length/Jacket	Wiring Diagram #	Wiring Diagrams
10-30 VDC	1000	≤200	-25 to +70	IP 67	PA 12	PA 12	N/A	YE	PKG 3Z-*	4	<b>Diagram 1</b> 
10-30 VDC	1000	≤200	-25 to +70	IP 67	PA 12	PA 12	N/A	YE	PKG 3Z-*	5	<b>Diagram 2</b> 
10-30 VDC	20	≤200	-25 to +70	IP 67	PA 12	PA 12	N/A	YE	RK 4T-*	6	<b>Diagram 3</b> 
	1000	≤200	-25 to +70	IP 67	PA 12	PA 12	N/A	YE	RK 4T-*	6	
10-30 VDC	20	≤200	-25 to +70	IP 67	PA 12	PA 12	N/A	YE	RK 4T-*	7	<b>Diagram 4</b> 
	1000	≤200	-25 to +70	IP 67	PA 12	PA 12	N/A	YE	RK 4T-*	7	
10-30 VDC	1000	≤200	-25 to +70	IP 67	PA 12	PA 12	N/A	YE	2M/PVC	1	<b>Diagram 5</b> 
10-30 VDC	1000	≤200	-25 to +70	IP 67	PA 12	PA 12	N/A	YE	2M/PVC	2	<b>Diagram 6</b> 
10-30 VDC	1000	≤200	-25 to +70	IP 67	PA 12	PA 12	N/A	YE	2M/PVC	2	<b>Diagram 7</b> 
5-30 VDC	1000	Remote	-25 to +70	IP 67	PA 12	PA 12	N/A	YE	2M/PVC	3	

\* Length in meters.

For material descriptions see page M22.

# Inductive Cylinder Position Sensors



Housing Style	Part Number	ID Number	Features	Magnetic Actuation Strength (Gauss)	Output	
<b>IKE/IKT - picofast® Quick Disconnect</b> 	BIM-IKE-AN6X-V1131	S4621795	KLI-3 Included	20-350	3-Wire DC NPN	
	BIM-IKT-AN6X-V1131	S4622195	KLI-3 Included	20-350		
	BIM-IKE-AP6X-V1131	S4621695	KLI-3 Included	20-350	3-Wire DC PNP	
	BIM-IKT-AP6X-V1131	S4622095	KLI-3 Included	20-350		
	<b>IKE/IKT - eurofast® Quick Disconnect</b> 	BIM-IKE-AD4X-H1141	S4421690	KLI-3 Included	20-350	2-Wire DC
		BIM-IKT-AD4X-H1141	S4482290	KLI-3 Included	20-350	
BIM-IKE-AN6X-H1141		S4621790	KLI-3 Included	20-350	3-Wire DC NPN	
BIM-IKT-AN6X-H1141		S4621190	KLI-3 Included	20-350		
BIM-IKE-AP6X-H1141		S4621690	KLI-3 Included	20-350	3-Wire DC PNP	
BIM-IKT-AP6X-H1141		S4621090	KLI-3 Included	20-350		
BIM-IKE-Y1X-H1141		S1056690	KLI-3 Included	20-350	2-Wire NAMUR	
BIM-IKT-Y1X-H1141		M1056290	KLI-3 Included	20-350		

For detailed sensor specifications see Section M.  
Normally Closed versions available upon request, consult factory.



Voltage	Switching Freq. (Hz)	Operating Current (mA) VAC/VDC	Operating Temp. (°C)	Protection	Housing	Face	Power LED	Output LED	Mating Cord, Cable Length/Jacket	Wiring Diagram #	Wiring Diagrams
10-30 VDC	1000	≤200	-25 to +70	IP 67	Zinc	PA 12	N/A	YE	PKG 3Z-*	1	<b>Diagram 1</b> 
	1000	≤200	-25 to +70	IP 67	Zinc	PA 12	N/A	YE	PKG 3Z-*	1	
10-30 VDC	1000	≤200	-25 to +70	IP 67	Zinc	PA 12	N/A	YE	PKG 3Z-*	2	<b>Diagram 2</b> 
	1000	≤200	-25 to +70	IP 67	Zinc	PA 12	N/A	YE	PKG 3Z-*	2	
10-65 VDC	300	≤100	-25 to +70	IP 67	Zinc	PA 12	N/A	YE	RK 4.2T-*	3	<b>Diagram 3</b> 
	300	≤100	-25 to +70	IP 67	Zinc	PA 12	N/A	YE	RK 4.2T-*	3	
10-30 VDC	1000	≤200	-25 to +70	IP 67	Zinc	PA 12	N/A	YE	RK 4T-*	4	<b>Diagram 4</b> 
	1000	≤200	-25 to +70	IP 67	Zinc	PA 12	N/A	YE	RK 4T-*	4	
10-30 VDC	1000	≤200	-25 to +70	IP 67	Zinc	PA 12	N/A	YE	RK 4T-*	5	<b>Diagram 5</b> 
	1000	≤200	-25 to +70	IP 67	Zinc	PA 12	N/A	YE	RK 4T-*	5	
5-30 VDC	1000	Remote	-25 to +70	IP 67	Zinc	PA 12	N/A	YE	RK 4.21T-*	6	<b>Diagram 6</b> 
	1000	Remote	-25 to +70	IP 67	Zinc	PA 12	N/A	YE	RK 4.21T-*	6	

\* Length in meters.

For material descriptions see page M22.

# Inductive Cylinder Position Sensors



Housing Style	Part Number	ID Number	Features	Magnetic Actuation Strength (Gauss)	Output
<b>AKT - eurofast® Connector</b> 	BIM-AKT-AD4X-H1141	M4480290	KLA-1 Included	20-350	2-Wire DC
	BIM-AKT-AN6X-H1141	M4675390	KLA-1 Included	20-350	3-Wire DC NPN
	BIM-AKT-AP6X-H1141	M4675290	KLA-1 Included	20-350	3-Wire DC PNP
	BIM-AKT-AP6X-H1141/S34	M4682090	KLA-1 Included	20-350	
	BIM-AKT-Y1X-H1141	M1055290	KLA-1 Included	20-350	2-Wire NAMUR
<b>AKT - Potted-In Cable</b> 	BIM-AKT-AD4X	M4480090	KLA-1 Included	20-350	2-Wire DC
	BIM-AKT-AN6X	M4675190	KLA-1 Included	20-350	3-Wire DC NPN
	BIM-AKT-AP6X	M4675090	KLA-1 Included	20-350	3-Wire DC PNP
	BIM-AKT-Y1X	M1055090	KLA-1 Included	20-350	2-Wire NAMUR
	<b>IKE/IKT - Potted-In Cable</b> 	BIM-IKE-AD4X	S4421490	KLI-3 Included	20-350
BIM-IKT-AD4X		S4482090	KLI-3 Included	20-350	
BIM-IKE-AN6X		S4621590	KLI-3 Included	20-350	3-Wire DC NPN
BIM-IKT-AN6X		S4620190	KLI-3 Included	20-350	
BIM-IKE-AP6X		S4621490	KLI-3 Included	20-350	3-Wire DC PNP
BIM-IKT-AP6X		S4620090	KLI-3 Included	20-350	
BIM-IKE-Y1X		S1056490	KLI-3 Included	20-350	2-Wire NAMUR

For detailed sensor specifications see Section M.  
Normally Closed versions available upon request, consult factory.



Voltage	Switching Freq. (Hz)	Operating Current (mA) VAC/VDC	Operating Temp. (°C)	Protection	Housing	Face	Power LED	Output LED	Mating Cord, Cable Length/Jacket	Wiring Diagram #	Wiring Diagrams
10-65 VDC	300	≤100	-25 to +70	IP 67	PA 12	PA 12	N/A	YE	RK 4.2T-*	1	<b>Diagram 1</b> 
10-30 VDC	1000	≤200	-25 to +70	IP 67	PA 12	PA 12	N/A	YE	RK 4T-*	2	<b>Diagram 2</b> 
10-30 VDC	1000	≤200	-25 to +70	IP 67	PA 12	PA 12	N/A	YE	RK 4T-*	3	<b>Diagram 3</b> 
	20	≤200	-25 to +70	IP 67	PA 12	PA 12	N/A	YE	RK 4T-*	3	
5-30 VDC	1000	Remote	-25 to +70	IP 67	PA 12	PA 12	N/A	YE	RK 4.21T-*	4	<b>Diagram 3</b> 
10-65 VDC	300	≤100	-25 to +70	IP 67	PA 12	PA 12	N/A	YE	2M/PVC	5	<b>Diagram 4</b> 
10-30 VDC	1000	≤200	-25 to +70	IP 67	PA 12	PA 12	N/A	YE	2M/PVC	6	<b>Diagram 5</b> 
10-30 VDC	1000	≤200	-25 to +70	IP 67	PA 12	PA 12	N/A	YE	2M/PVC	7	<b>Diagram 5</b> 
5-30 VDC	1000	Remote	-25 to +70	IP 67	PA 12	PA 12	N/A	YE	2M/PVC	8	<b>Diagram 6</b> 
10-65 VDC	300	≤100	-25 to +70	IP 67	Zinc	PA 12	N/A	YE	2M/PVC	5	<b>Diagram 6</b> 
	300	≤100	-25 to +70	IP 67	Zinc	PA 12	N/A	YE	2M/PVC	5	
10-30 VDC	1000	≤200	-25 to +70	IP 67	Zinc	PA 12	N/A	YE	2M/PVC	6	<b>Diagram 7</b> 
	1000	≤200	-25 to +70	IP 67	Zinc	PA 12	N/A	YE	2M/PVC	6	
10-30 VDC	1000	≤200	-25 to +70	IP 67	Zinc	PA 12	N/A	YE	2M/PVC	7	<b>Diagram 7</b> 
	1000	≤200	-25 to +70	IP 67	Zinc	PA 12	N/A	YE	2M/PVC	7	
5-30 VDC	1000	Remote	-25 to +70	IP 67	Zinc	PA 12	N/A	YE	2M/PVC	8	<b>Diagram 8</b> 

\* Length in meters.

For material descriptions see page M22.

# Inductive Cylinder Position Sensors



Housing Style	Part Number	ID Number	Features	Magnetic Actuation Strength (Gauss)	Output
<b>KST - picofast® Quick Disconnect</b> 	BIM-KST-AN6X-V1131	M4674300	KST SB170 and KST SB335 Included	20-350	3-Wire DC NPN
	BIM-KST-AP6X-V1131	M4674200	KST SB170 and KST SB335 Included	20-350	3-Wire DC PNP
<b>KST - Potted-In Cable</b> 	BIM-KST-AN6X	M4674100	KST SB170 and KST SB335 Included	20-350	3-Wire DC NPN
	BIM-KST-AP6X	M4674000	KST SB170 and KST SB335 Included	20-350	3-Wire DC PNP
<b>QST - picofast® Connector</b> 	BIM-QST-AN6X-V1131	S4688300	w/o Bracket	20-350	3-Wire DC NPN
	BIM-QST-AP6X-V1131	S4688200	w/o Bracket	20-350	3-Wire DC PNP
<b>QST - Potted-In Cable</b> 	BIM-QST-AN6X	M4688100	w/o Bracket	20-350	3-Wire DC NPN
	BIM-QST-AP6X	S4688000	w/o Bracket	20-350	3-Wire DC PNP
	BIM-QST-Y1X	M1058000	w/o Bracket	20-350	2-Wire NAMUR

For detailed sensor specifications see Section M.  
Normally Closed versions available upon request, consult factory.



Voltage	Switching Freq. (Hz)	Operating Current (mA) VAC/VDC	Operating Temp. (°C)	Protection	Housing	Face	Power LED	Output LED	Mating Cord, Cable Length/Jacket	Wiring Diagram #	Wiring Diagrams
10-30 VDC	1000	≤200	-25 to +70	IP 67	Zinc	PA 12	N/A	YE	PKG 3Z-*	4	<b>Diagram 1</b> 
10-30 VDC	1000	≤200	-25 to +70	IP 67	Zinc	PA 12	N/A	YE	PKG 3Z-*	5	<b>Diagram 2</b> 
10-30 VDC	1000	≤200	-25 to +70	IP 67	Zinc	PA 12	N/A	YE	2M/PVC	1	<b>Diagram 3</b> 
10-30 VDC	1000	≤200	-25 to +70	IP 67	Zinc	PA 12	N/A	YE	2M/PVC	2	<b>Diagram 4</b> 
10-30 VDC	1000	≤200	-25 to +70	IP 67	PA 12	PA 12	N/A	YE	PKG 3Z-*	4	<b>Diagram 5</b> 
10-30 VDC	1000	≤200	-25 to +70	IP 67	PA 12	PA 12	N/A	YE	PKG 3Z-*	5	
10-30 VDC	1000	≤200	-25 to +70	IP 67	PA 12	PA 12	N/A	YE	2M/PVC	1	
10-30 VDC	1000	≤200	-25 to +70	IP 67	PA 12	PA 12	N/A	YE	2M/PVC	2	
5-30 VDC	1000	Remote	-25 to +70	IP 67	PA 12	PA 12	N/A	YE	2M/PVC	3	

\* Length in meters.

For material descriptions see page M22.

# Inductive Cylinder Position Sensors



Housing Style	Part Number	ID Number	Features	Magnetic Actuation Strength (Gauss)	Output
	BIM-INT-AG41X	S4550000		20-350	2-Wire DC
	BIM-INT-AN6X	S4623600		20-350	3-Wire DC NPN
	BIM-INT-AP6X	S4623500		20-350	3-Wire DC PNP
	BR-INT-AR7X	S4623200	REED Contact	20-34	3-Wire DC REED Contact
	BR-INT-ADZ71X	S4700510	REED Contact	20-34	2-Wire AC/DC
	BIM-INT-Y1X	S1056800		20-350	2-Wire NAMUR

For detailed sensor specifications see Section A.  
Normally Closed versions available upon request, consult factory.



Voltage	Switching Freq. (Hz)	Operating Current (mA) VAC/VDC	Operating Temp. (°C)	Protection	Housing	Face	Power LED	Output LED	Cable Length/Jacket	Wiring Diagram #	Wiring Diagrams
10-55 VDC	300	≤100	-25 to +70	IP 67	PA 12	PA 12	N/A	YE	2M/PUR	4	<p><b>Diagram 1</b></p>
10-30 VDC	1000	≤200	-25 to +70	IP 67	PA 12	PA 12	N/A	YE	2M/PUR	2	<p><b>Diagram 2</b></p>
10-30 VDC	1000	≤200	-25 to +70	IP 67	PA 12	PA 12	N/A	YE	2M/PUR	3	<p><b>Diagram 3</b></p>
10-30 VDC	500	≤500	-25 to +70	IP 67	PA 12	PA 12	N/A	YE	2M/PUR	1	<p><b>Diagram 4</b></p>
3-140 VAC 4-200 VDC	500	≤500	-25 to +70	IP 67	PA 12	PA 12	N/A	YE	2M/PUR	5	<p><b>Diagram 5</b></p>
5-30 VDC	1000	Remote	-25 to +70	IP 67	PA 12	PA 12	N/A	YE	2M/PVC	6	<p><b>Diagram 6</b></p>

\* Length in meters.

For material descriptions see page A34.

Cylinder