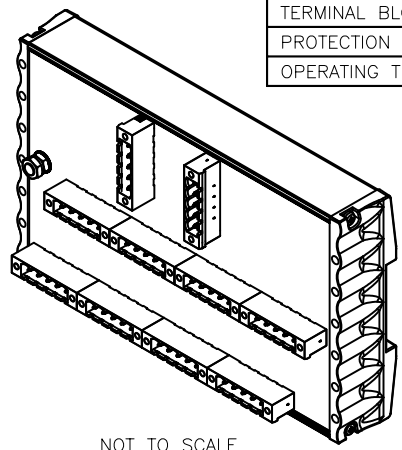
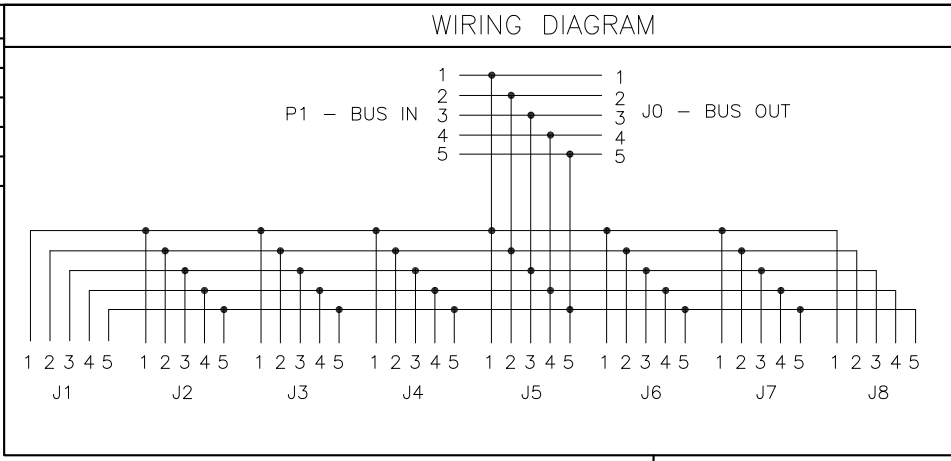


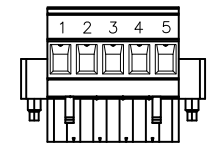
SPECIFICATIONS	
HOUSING MATERIAL/COLOR	EXTRUDED ALUMINUM/GRAY
END CAPS/COLOR	NYLON/GRAY
TERMINAL BLOCK MATERIAL/COLOR	NYLON/BLACK
PROTECTION CLASS	IP 20
OPERATING TEMPERATURE	-30°C to +70°C (-22°F to +158°F)



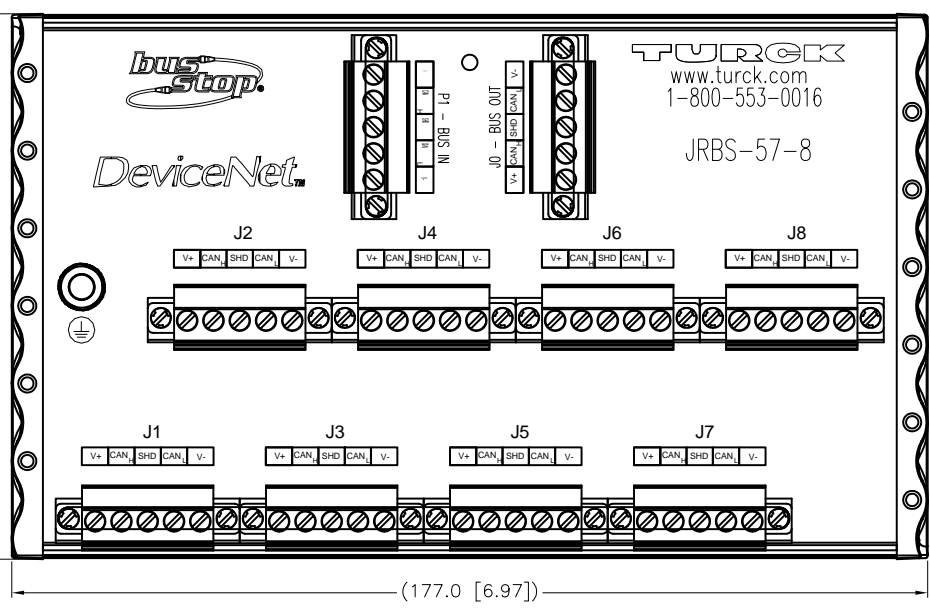
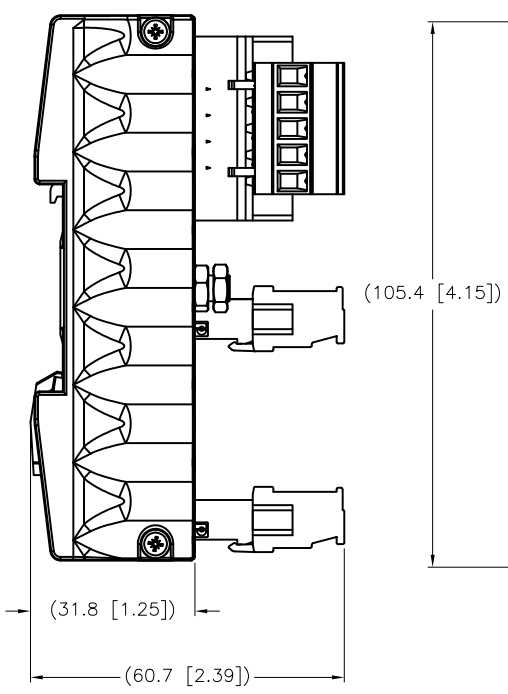
NOT TO SCALE



TERMINAL BLOCK PLUG



- 1 = RED (V+)
- 2 = WHITE (CAN_H)
- 3 = BARE (SHLD)
- 4 = BLUE (CAN_L)
- 5 = BLACK (V-)



SOURCE DRAWING - FOR REFERENCE ONLY

RELATED DOCUMENTS		3RD ANGLE PROJECTION		THIS DRAWING IS PROPERTY OF TURCK INC. USE OF THIS DOCUMENT WITHOUT WRITTEN PERMISSION IS PROHIBITED.		TURCK INC High Technology Sensors and Automation Controls 3000 CAMPUS DRIVE MINNEAPOLIS, MN 55441 1-800-544-7769 (763) 553-7300 (763) 553-0708 fax turck.com	
1.	2.		TOLERANCES UNLESS OTHERWISE SPECIFIED 0.5 TO 6 ±0.1 6 TO 30 ±0.2 30 TO 200 ±0.3 OVER 200 ±0.4 ANGLES ±1° ALL INCH DIMENSIONS ARE REFERENCE ONLY	DRFT	RDS	DATE	08/04/06
3.	4.			DSGN	RDS	SCALE	1=1.5
MATERIAL		FINISH		UNIT OF MEASUREMENT		IDENTIFICATION NO.	
				MILLIMETER [INCH]		U3-00885	
A DRAWING RELEASE		MS 02/15/07		DO NOT SCALE THIS DRAWING		REV	
REV DESCRIPTION		BY DATE ECO NO.		FILE: U3-00885		SHEET 1 OF 1	