

Inductive Cylinder Position Sensors

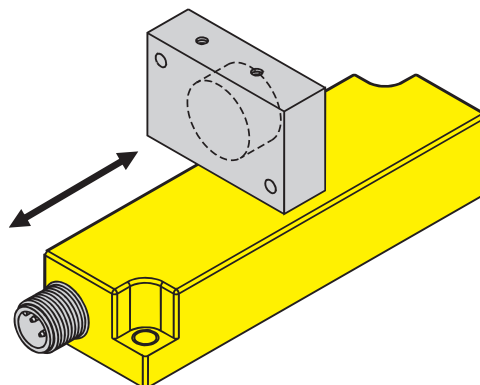


Housing Style	Part Number	ID Number	Linear Operating Distance (mm)	Response Freq. (Hz)	Output
20 mm - Embeddable, eurofast® Quick Disconnect 	WIM40-Q20L60-LIU5-H1141	M1539280	10-50	1000	4-Wire DC Current and Voltage
20 mm - Embeddable, eurofast® Quick Disconnect, Mounted Spacers 	WIM40-Q20L60-LIU5-H1141/S400	M1536605	10-50	1000	4-Wire DC Current and Voltage
20 mm - Embeddable, eurofast Quick Disconnect 	WIM70-Q20L100-LIU5-H1141	M1539276	15-85	1000	4-Wire DC Current and Voltage

/S400 = Mounted spacer rollers.

Magnetic Field

WIM Analog Magnetic field sensors are used with external magnetic that move parallel to the sensor face. The WIM products come in several packages which can be used with the pneumatic cylinders that incorporate a magnet, or a magnet mounted on moving assembly. The sensing range is determined by the field of strength of the magnet.

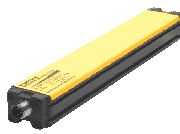


TURCK mold-on connectors available on all cable sensors. See page M25.



Voltage	Output Voltage/Current	Operating Temp. (°C)	Protection	Slew Rate V/ms, mA/ms	Housing	Face	Mating Cord, Cable Length/Mat.	Wiring Diagram #	Wiring Diagrams
15-30 VDC	0-10 V/4-20 mA	-25 to +70	IP 67	20, 32	PBT	PBT	RK 4.4T-*	1	<p>Diagram 1</p>
15-30 VDC	0-10 V/4-20 mA	-25 to +70	IP 67	20, 32	PBT	PBT	RK 4.4T-*	1	
15-30 VDC	0-10 V/4-20 mA	-25 to +70	IP 67	20, 32	PBT	PBT	RK 4.4T-*	1	

* Length in meters.



Housing Style	Part Number	ID Number	Linear Operating Distance	Update Time	Output
25 mm - Embeddable, eurofast Quick Disconnect 	WIM100-Q25L141-LIU5X2-H1141	M1536630	100	5 ms	4-wire DC Current and Voltage
	WIM125-Q25L166-LIU5X2-H1141	M1536631	125	5 ms	
	WIM160-Q25L201-LIU5X2-H1141	M1536632	160	5 ms	
	WIM200-Q25L241-LIU5X2-H1141	M1536633	200	5 ms	

L = Length in mm. Example Q25L241 = 241 mm long.

TURCK mold-on connectors available on all cable sensors. See page M25.

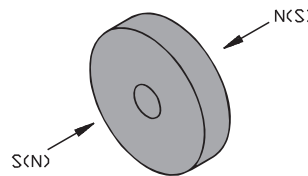
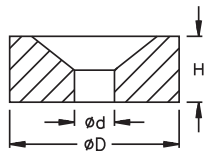


Voltage	Output Voltage/Current	Operating Temp. (°C)	Protection	Housing	Face	Mating Cordset	Wiring Diagram #	Wiring Diagrams
15-30 VDC	0-10 V/4-20 mA	-25 to +70	IP 67	AL	PC-GF20	RK 4.4T-*	1	Diagram 1
	0-10 V/4-20 mA	-25 to +70	IP 67	AL	PC-GF20	RK 4.4T-*	1	
	0-10 V/4-20 mA	-25 to +70	IP 67	AL	PC-GF20	RK 4.4T-*	1	
	0-10 V/4-20 mA	-25 to +70	IP 67	AL	PC-GF20	RK 4.4T-*	1	

* Length in meters.

Actuation Magnets

Actuation Magnet Part Numbers	Diameter D (mm)	Height H	Drilling for mounting d	Sensing Range M12	Sensing Range EG08	Material
DMR15-6-3	15	6	3	36	32	Barium Fer-rite (Oxyd 300)
DMR20-10-4	20	10	4	59	50	
DMR31-15-5	31	15	5	90	78	



Actuation Magnet

Part Number	ID Number
DM-Q12	M6900367

Material: Plastic

Cylinder