

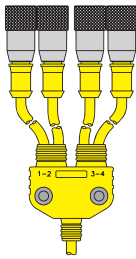
# TURCK

## Industrial Connectivity Products

### microfast® 4 Branch Molded Junctions, Parallel Wiring

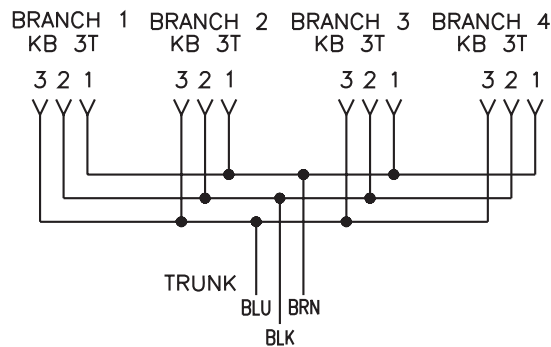
- For Use on Photoelectric Controls, Power Distribution and other Dual-Input Applications
- Tough Polyurethane Construction



Application	Specifications	Wiring Diagram	Housing	Part Number
Parallel wired, 3 conductor	125 VAC / VDC 2.0 A Yellow PVC 5.2 mm OD 3x22 AWG	Parallel		V3-*/KB 3T-*/**/*/*S651

\* Length in meters.

### Wiring Diagram



<b>Junction Body:</b>	Oil resistant yellow polyurethane.
<b>Connector:</b>	Oil resistant polyurethane body material, Nylon or PUR contact carrier.
<b>Contacts:</b>	Gold plated brass.
<b>Coupling Nuts:</b>	Nickel plated brass.
<b>Cable:</b>	See table.
<b>Temperature:</b>	-40°C to +105°C (-40°F to +221°F).
<b>Protection:</b>	NEMA 1,3,4,6P and IEC IP 67.

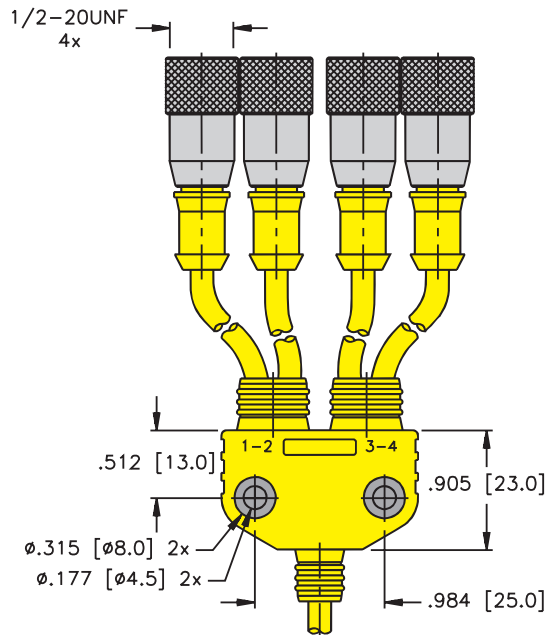
**Cable Length:** Trunk - nominal 1 meter. Branches - nominal 0.3 meters. Other lengths available by request - consult factory.

**Cable Options:** Standard cable jacket - grey PVC. PUR and other jackets available by request - consult factory.

**Connector Options:** (for legs with cable)  
Stainless steel coupling nut add "V" to part number (KB to KBV).

**Notes:** Mounting holes accept #8 screw.

### V3-\*/KB 3T-\*/\*\*\*/S651



### Pinouts

