

*minifast*® Tees

- Available with Parallel or Junction-style Wiring
- Simplifies Wiring Installations
- Tough Molded Polyurethane Body



Housing Style	Part Number	Cable	Features	Pinout
	RSM-2RKM 20	PUR 1 Male and 2 female connectors 250 V, 9.0 A 80°C	<i>Parallel wired, 2 conductor</i>	
	RSM-2RKM 30	PUR 1 Male and 2 female connectors 250 V, 9.0 A 80°C	<i>Parallel wired, 3 conductor</i>	
	RSM-2RKM 40	PUR 1 Male and 2 female connectors 250 V, 9.0 A 80°C	<i>Parallel wired, 4 conductor</i>	
	RSM-2RKM 50	PUR 1 Male and 2 female connectors 250 V, 9.0 A 80°C	<i>Parallel wired, 5 conductor</i>	
	RSM 50-2RKM 30	PUR 1 Male 5-pin connector, 2 female 3-pin connectors 250 V, 9.0 A 80°C	<i>Combine 2 cables into 1</i>	

**Pinouts**

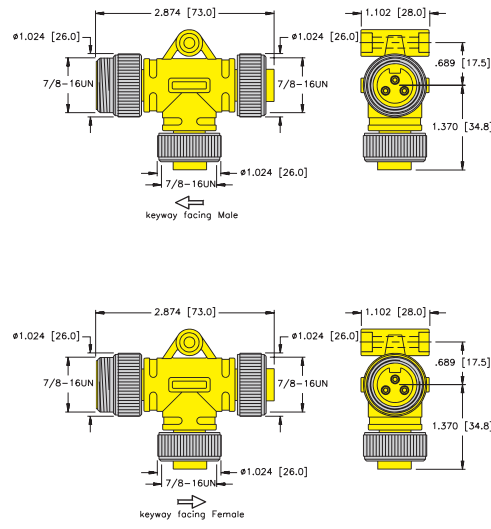
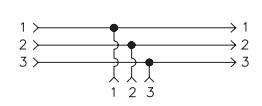
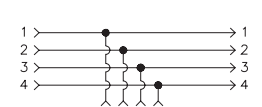
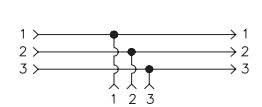
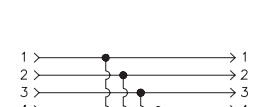
Female				Male			
2-Pin	3-Pin	4-Pin	5-Pin	2-Pin	3-Pin	4-Pin	5-Pin

minifast® Tees

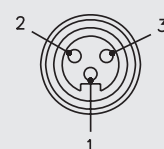
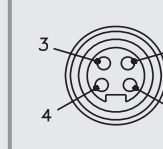
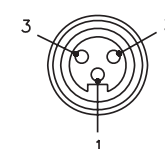
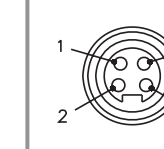
- Drop Keyway Facing Male or Female Connector
- Available with Parallel Wiring
- Simplifies Wiring Installations
- Tough Molded Polyurethane Body



Accessories

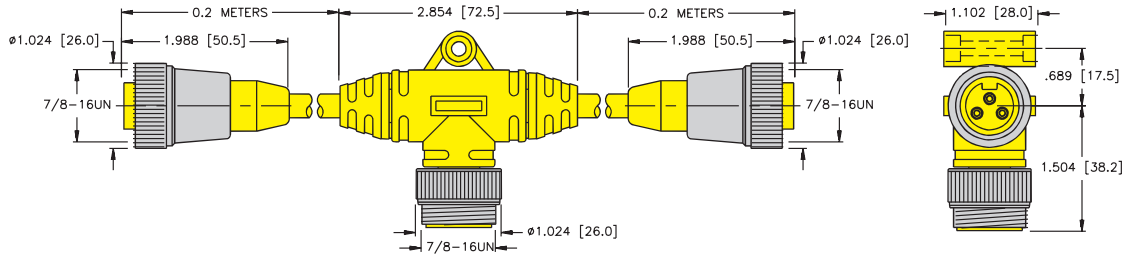
Housing Style	Part Number	Cable	Features	Pinout
 <p>Technical drawings showing dimensions for minifast tee connectors. Dimensions include: 2.874 [73.0] (total length), 1.102 [28.0] (keyway length), 1.370 [34.8] (height), 0.689 [17.5] (height to top of keyway), and 7/8-16UN (thread). Keyway facing Male and Female are indicated.</p>	RSM-2RKM 30-KM	PUR 1 Male and 2 female connectors 250 V, 9.0 A 80°C	Parallel wired, 3 conductor, keyway facing male connector	
	RSM-2RKM 40 KM	PUR 1 Male and 2 female connectors 250 V, 9.0 A 80°C	Parallel wired, 4 conductor, keyway facing male connector	
	RSM-2RKM 30-KF	PUR 1 Male and 2 female connectors 250 V, 9.0 A 80°C	Parallel wired, 3 conductor, keyway facing female connector	
	RSM-2RKM 40-KF	PUR 1 Male and 2 female connectors 250 V, 9.0 A 80°C	Parallel wired, 4 conductor, keyway facing female connector	

Pinouts

Female		Male	
			
3-Pin	4-Pin	3-Pin	4-Pin

*minifast*® Junction Tees, Cable on Female Branches

- Junction-style Wiring
- Simplifies Wiring Installations
- Tough Molded Polyurethane Body



Housing Style	Part Number	Cable	Features	Wiring Diagram
See above	RKM 30-* -RSM 50-RKM 30-*	PUR body Two 3-pin female cordsets, PVC Yellow, 3x18 AWG 7.3 mm O.D., one 5-pin male connector 250 V, 9.0 A 80°C	Combine 2 cables into 1	
	RKM 40-* -RSM 40-RKM 40-*	PUR body Two 4-pin female cordsets, PVC Yellow, 4x18 AWG 7.3 mm OD, one 4-pin male connector 250 V, 9.0 A 80°C	Parallel Wired	
	RKM 301-* -RSM 301-RKM 301-*	PUR body Two 3-pin female cordsets, PVC Yellow, 3x18 AWG 7.3 mm OD, one 3-pin male connector 250 V 9.0 A 80°C	Combine 2 cables into 1, series wired	

\* Length in meters.

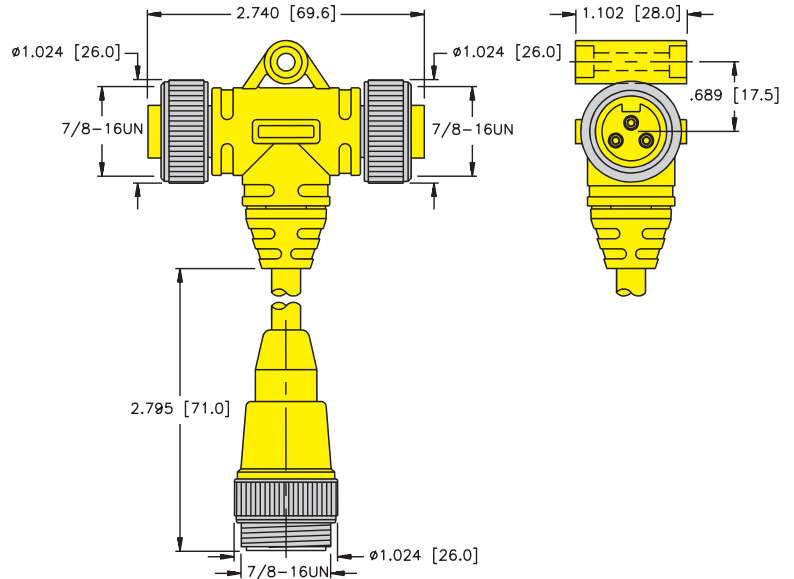
Standard coupling nut material is nickel plated brass .. "RSM or RKM"; "RS or RK" indicates nylon and "RSV or RKV" indicates 316 stainless steel.

**Pinouts**

Female			Male		
<b>3-Pin</b>	<b>4-Pin</b>	<b>5-Pin</b>	<b>3-Pin</b>	<b>4-Pin</b>	<b>5-Pin</b>

**minifast® Junction Tees, Cable on Male Trunk**

- Junction-style Wiring
- Simplifies Wiring Installations
- Tough Molded Polyurethane Body



Housing Style	Part Number	Specs	Features	Wiring Diagram
See above	RKM 30-RSM 50-*-RKM 30	PUR body two 3-pin female connectors, one 5-pin male cordset, PVC Yellow, 5x18 AWG 7.3 mm OD, 250 V, 9.0 A, 80°C	Combine 2 cables into 1	
	RKM 50-RSM 50-*-RKM 50	PUR body Two 5-pin female connectors, one 5-pin male cordset, PVC Yellow, 5x18 AWG 7.3 mm OD, 250 V, 9.0 A, 80°C	Parallel wired	
	RKM 301-RSM 301-*-RKM 301	PUR body Two 3-pin female connectors, one 3-pin male cordset, PVC Yellow, 3x18 AWG 7.3 mm OD, 250 V, 9.0 A, 80°C	Combine 2 cables into 1, series wired	

\* Length in meters.

Standard coupling nut material is nickel plated brass .. "RSM or RKM"; "RS or RK" indicates nylon and "RSV or RKV" indicates 316 stainless steel.

**Pinouts**

Female		Male	
3-Pin	5-Pin	3-Pin	5-Pin