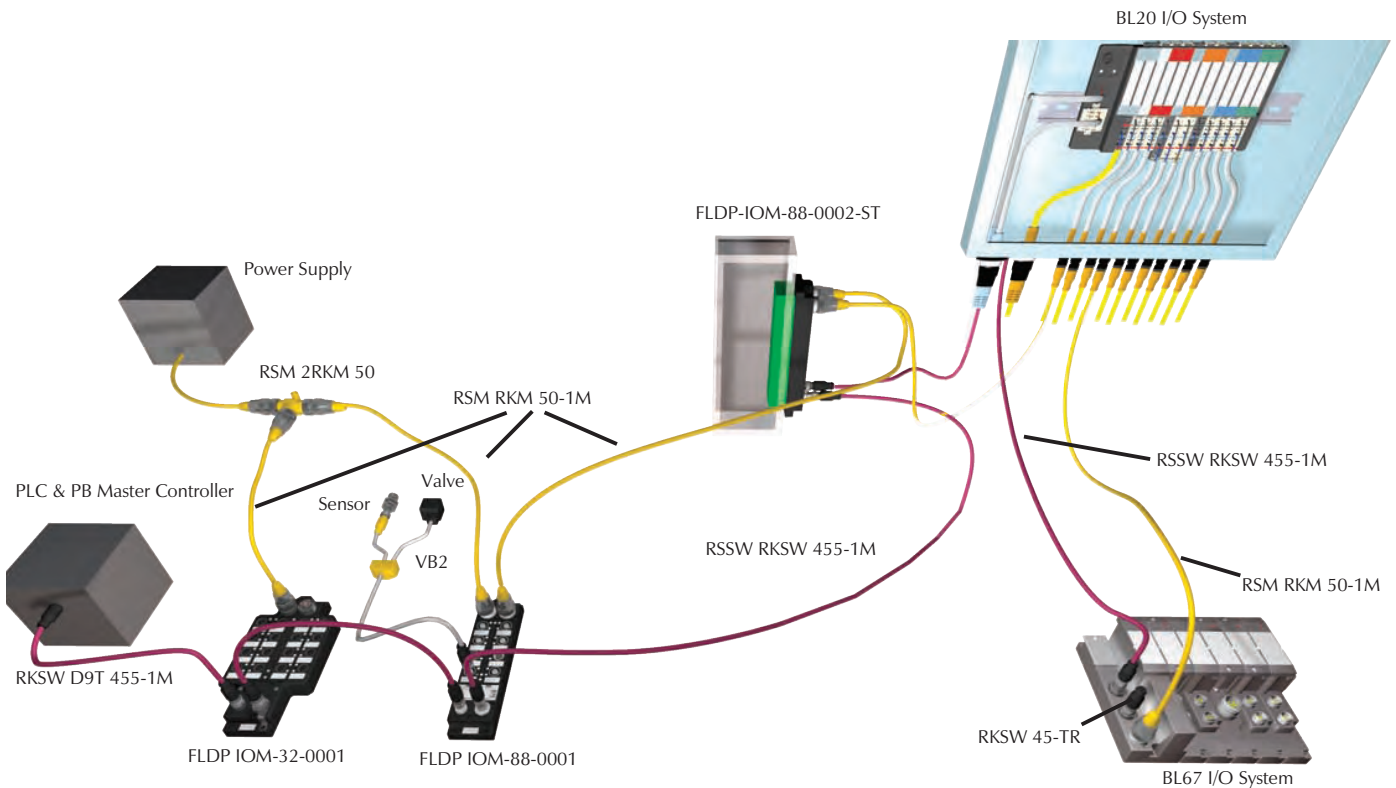
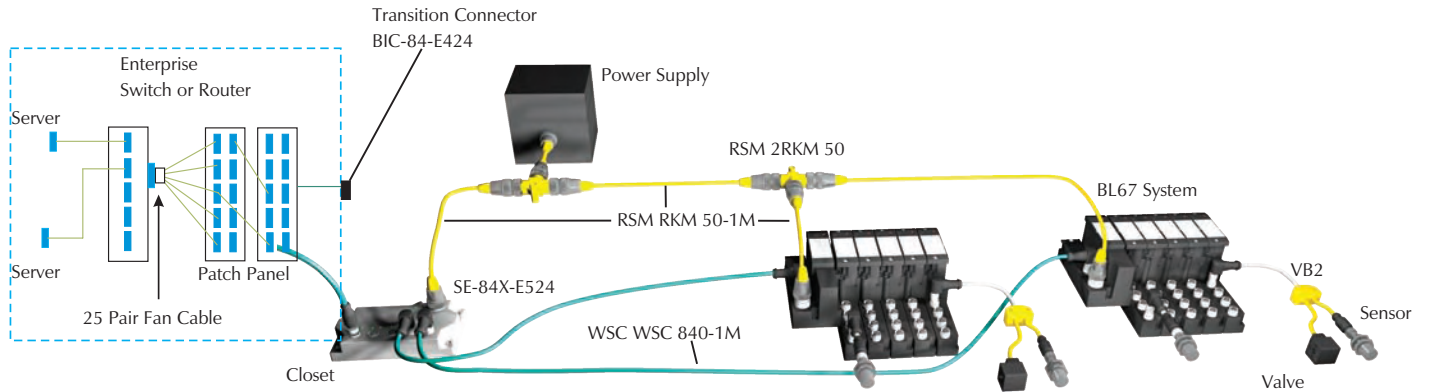


Power Cordset and Tee Applications

This is only an example of the broad offering of power connectivity products.
See Connectivity Catalog B2005 for entire product line.



Power Cords

TURCK

Network Media Products

TURCK 5-Pin Power Cordsets, Cable Specifications

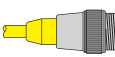

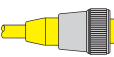

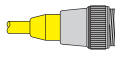
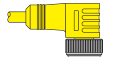
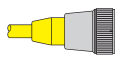

- NEMA 1, 3, 4, 6P and IEC IP 67 Protection
- 300 V, 9 A



Type	Approvals	Data Pair		Outer Jacket	Shields	Bulk Cable Part Number / Weight/300 M
		AWG Color Code	DCR (/1000 feet) Insulation	Material Color Nominal O.D.	Type Drain Wire	
50 AWM 2517 105°C 300 Volts	NEC AWM CEC AWM FT1	5/18 AWG BK, BU, GN/YE, BN, WH	6.9 Ohms PVC	PVC Yellow 7.2 mm (.285 in)	None	RB50549-*M 60 lbs.

* Indicates length in meters.
Standard cable lengths are 30, 100 and 200 meters. Consult factory for other lengths.

TURCK 5-Pin Power, Cordset Selection Matrix

		<i>minifast</i> [®]			
		Pin (Male)		Socket (Female)	
		1 	2 	3 	4 
		RSM	WSM	RKM	WKM
Bare		RSM 50-*M	WSM 50-*M	RKM 50-*M	WKM 50-*M
<i>minifast</i>	Pin (Male)				
	1 	RSM RSM 50-*M	RSM WSM 50-*M	RSM RKM 50-*M	RSM WKM 50-*M
	2 		WSM WSM 50-*M	WSM RKM 50-*M	WSM WKM 50-*M
	3 			RKM RKM 50-*M	RKM WKM 50-*M
Socket (Female)					
4 				WKM WKM 50-*M	

See pages S51 for dimensional drawings.

* Indicates length in meters.

Refer to the Cordset Builder at www.turck.com for assistance with cordset/cable combinations.

Standard cable lengths are 0.3, 0.5, 1.0, 2.0, 2.5, 3.0, 3.5, 4.0, 5.0, 6.0, 8.0, 10, 15....50 meters. Consult factory for other lengths.

For stainless steel coupling nuts change part number RSM ... to RSV, WSM ... to WSV.

Pinouts

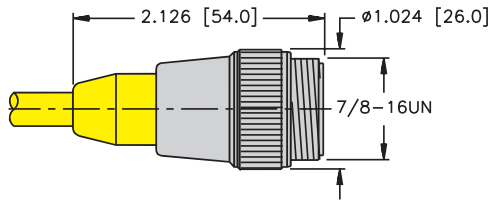
<i>minifast</i>		
Female		Male
	<ol style="list-style-type: none"> 1. Black 2. Blue 3. Green/Yellow 4. Brown 5. White 	

TURCK 5-Pin Power, Cordset Connector Dimensions

Specifications

Housing:	PUR (Polyurethane)
Coupling Nut:	Nickel Plated CuZn or Stainless Steel
Contact Carrier:	PUR (Polyurethane)
Contacts:	Gold Plated CuZn
Protection:	NEMA 1, 3, 4, 6P and IEC IP 67
Rated Voltage:	300 V
Rated Current:	9 A
Ambient Temperature:	-40° to +105°C (-40° to +221°F)

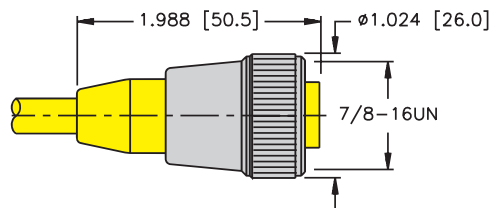
1



RSM ..

Pages S50

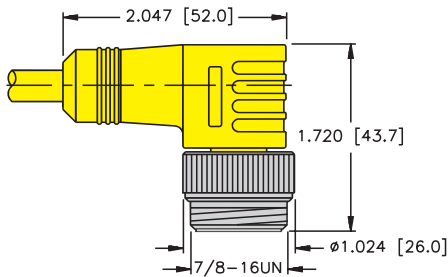
3



RKM ..

Pages S50

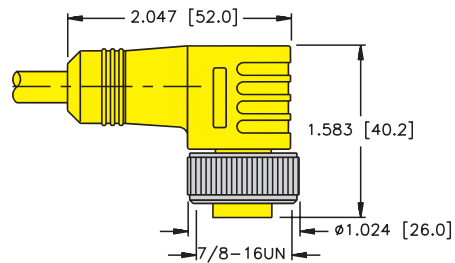
2



WSM ..

Pages S50

4



WKM ..

Pages S50

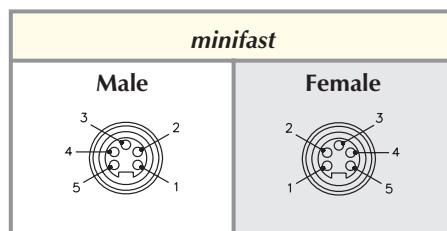
TURCK 5-Pin Power Tee

- Simplifies Wiring Installations
- Tough Molded Polyurethane Body



Housing	Part Number	Specs	Application	Wiring Diagrams
	RSM 2RKM 50	TPU (Polyurethane) 250 V, 4 A -40° to +75°C	<i>minifast</i> Power Tee <ul style="list-style-type: none"> • Data, ground, shield • Stainless steel coupling nuts 	

Pinouts



TURCK

Network Media Products

TURCK 4-Pin Power Cordsets, Cable Specifications

- NEMA 1, 3, 4, 6P and IEC IP 67 Protection
- 600 V, 9 A



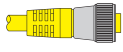
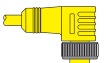
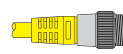
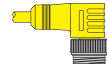
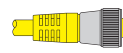
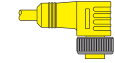


Type	Approvals	Data Pair		Outer Jacket	Shields	Bulk Cable Part Number / Weight/300 M
		AWG Color Code	DCR (/1000 feet) Insulation	Material Color Nominal O.D.	Type Drain Wire	
46 105°C 600 Volts	NEC STOW CEC STOW FT2	4/16 AWG BK, WH, RD, GN,	4.3 Ohms PVC	PVC Yellow 11 mm (.435 in)	None	RB50538-*M 120 lbs.

* Indicates length in meters.

Standard cable lengths are 30, 100 and 200 meters. Consult factory for other lengths.

TURCK 4-Pin Power, Cordset Selection Matrix

		<i>minifast</i> [®]			
		Pin (Male)		Socket (Female)	
		1 	2 	3 	4 
		RSM	WSM	RKM	WKM
Bare		RSM 46-*M	WSM 46-*M	RKM 46-*M	WKM 46-*M
<i>minifast</i>	Pin (Male)				
	1 	RSM RSM 46-*M	RSM WSM 46-*M	RSM RKM 46-*M	RSM WKM 46-*M
	2 		WSM WSM 46-*M	WSM RKM 46-*M	WSM WKM 46-*M
	3 			RKM RKM 46-*M	RKM WKM 46-*M
Socket (Female)					
4 				WKM WKM 46-*M	

See pages S55 for dimensional drawings.

* Indicates length in meters.

Refer to the Cordset Builder at www.turck.com for assistance with cordset/cable combinations.

Standard cable lengths are 0.3, 0.5, 1.0, 2.0, 2.5, 3.0, 3.5, 4.0, 5.0, 6.0, 8.0, 10, 15....50 meters. Consult factory for other lengths.

For stainless steel coupling nuts change part number RSM ... to RSV, WSM ... to WSV.

Pinouts

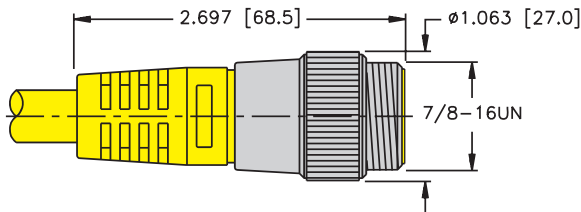


TURCK 4-Pin Power, Cordset Connector Dimensions

Specifications

Housing:	PUR (Polyurethane)
Coupling Nut:	Nickel Plated CuZn or Stainless Steel
Contact Carrier:	TPU (Polyurethane)
Contacts:	Gold Plated CuZn
Protection:	NEMA 1, 3, 4, 6P and IEC IP 68
Rated Voltage:	300 V
Rated Current:	9 A
Ambient Temperature:	-40° to +105°C (-40° to +221°F)

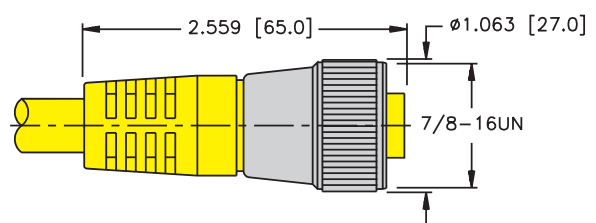
1



RSV ..

Pages S54

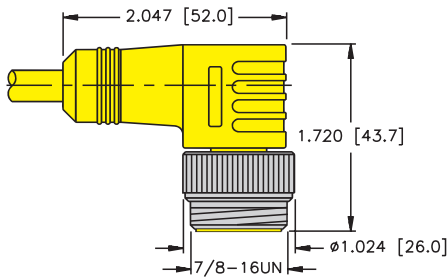
3



RKV ..

Pages S54

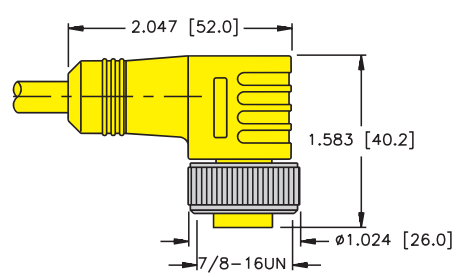
2



WSV ..

Pages S54

4



WKV ..

Pages S54

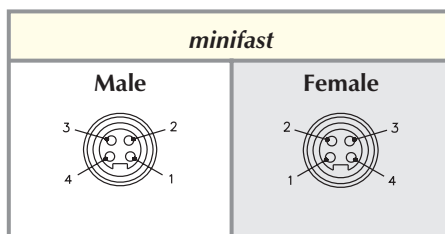
TURCK 4-Pin Power Tee

- Simplifies Wiring Installations
- Tough Molded Polyurethane Body



Housing	Part Number	Specs	Application	Wiring Diagrams
	RSM 2RKM 40	TPU (Polyurethane) 250 V, 4 A -40° to +75°C	<i>minifast</i> Power Tee <ul style="list-style-type: none"> • Data, ground, shield • Stainless steel coupling nuts 	

Pinouts



TURCK

Network Media Products

TURCK IP 67 Power Supplies

- Minimizes the required air gap between devices (0.4 mm according to EN 60 950)
- IP 67
- Insensitive to shock and vibration
- Flange mounting either on or off machine



Part Number	ID Number	Wattage	V Output	I Output	Dimensions (mm)
PSU67-11-2420/M	M6884140	50	24 VDC	2 A	166 x 85 x 35
PSU67-11-2440/M	M6884141	100	24 VDC	4 A	166 x 85 x 35

Specifications

Output Power:	50 W, 100 W, 200 W (Future Dual Output)
Input Voltage Range:	90-264 VAC / 110-375 VDC
Output Voltage:	24 VDC
Efficiency:	Up to $\geq 90\%$
Isolation Protection:	3.3 kVAC
Ambient Temp.:	-25 to +60°C (-13 to +140°F)
Case, Potting Mat.:	UL94-VO / Vacuum Encapsulated
Protection Class:	II
Derating:	2% K max
Connection Type:	7/8-16UN minifast
Mounting:	Flange
Approvals:	UL, CE, CAN/CSA

Input Power Cable

WKM 30-*M	Right Angle Female/Input Power
RKM 30-*M	Straight Female/Input Power

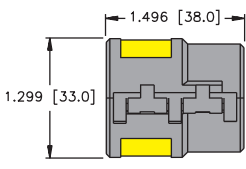
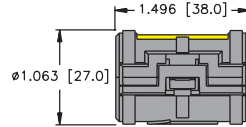
Output Power Cable (DeviceNet™)

RSM 40-* -WKM 50/DN

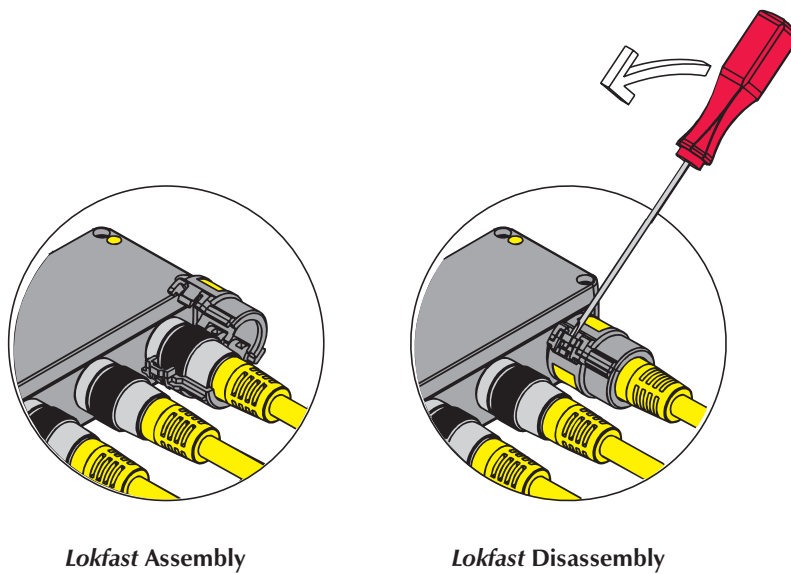
Output Power Cable (Profibus®)

RSM 40-* -WKM 50/BL67

Lokfast™ Guards

Housing	Part Number	Application
	SHLD, MINI	Trunk connections are to be locked with a Lokfast Guard to mechanically prevent separation.
	SHLD, MINI FW	
	SHLD, EURO	
	SHLD, EURO FW	

Lokfast Guards come 10 per bag.



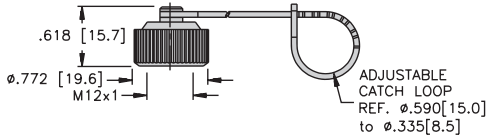
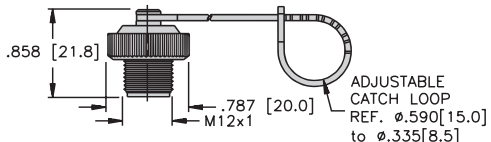
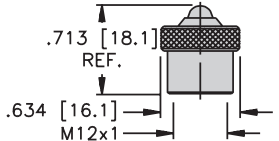
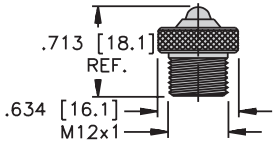
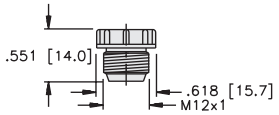
minifast® Closure Caps

Housing	Part Number	Specs	Application
	RKM-CC	Nickel plated brass 7/8-16UN threads 6" stainless steel lanyard	Closure cap, mates to male cordsets, receptacles
	RKMV-CC	Stainless steel 7/8-16UN threads 6" stainless steel lanyard	Closure cap, mates to male cordsets, receptacles
	RSM-CC	Nickel plated brass 7/8-16UN threads 6" stainless steel lanyard	Closure cap, mates to female cordsets, receptacles
	RSMV-CC	Stainless steel 7/8-16UN threads 6" stainless steel lanyard	Closure cap, mates to female cordsets, receptacles
	RKF-CC	Nickel plated brass 7/8-16UN threads 6" stainless steel lanyard	Closure cap, mates to male receptacles
	RKFV-CC	Stainless steel 7/8-16UN threads 6" stainless steel lanyard	Closure cap, mates to male receptacles
	RSF-CC	Nickel plated brass 7/8-16UN threads 6" stainless steel lanyard	Closure cap, mates to female receptacles
	RSFV-CC	Stainless steel 7/8-16UN threads 6" stainless steel lanyard	Closure cap, mates to female receptacles
	RKF-MC	Nickel plated brass 7/8-16UN threads BUNA-N gasket	Closure cap, mates to male receptacles
	RKFV-MC	Stainless steel 7/8-16UN threads BUNA-N gasket	Closure cap, mates to male receptacles
	RSF-MC	Nickel plated brass 7/8-16UN threads BUNA-N gasket and O-ring	Closure cap, mates to female cordsets, receptacles
	RSFV-MC	Stainless steel 7/8-16UN threads BUNA-N gasket and O-ring	Closure cap, mates to female cordsets, receptacles

euromast® Closure Caps

Housing	Part Number	Specs	Application
	RK-CC	Nickel plated brass M12x1 threads 6" lanyard	Mates to male cordsets and receptacles
	RKV-CC	Stainless steel M12x1 threads 6" lanyard	Mates to male cordsets and receptacles
	RS-CC	Nickel plated brass M12x1 threads 6" lanyard	Mates to female cordsets and receptacles
	RSV-CC	Stainless steel M12x1 threads 6" lanyard	Mates to female cordsets and receptacles
	FK-CC	Nickel plated brass M12x1 threads 6" lanyard with eyelet	Mates to male cordsets and receptacles
	FKV-CC	Stainless steel M12x1 threads 6" lanyard with eyelet	Mates to male cordsets and receptacles
	FS-CC	Nickel plated brass M12x1 threads 6" lanyard with eyelet	Mates to female cordsets and receptacles
	FSV-CC	Stainless steel M12x1 threads 6" lanyard with eyelet	Mates to female cordsets and receptacles
	FKK-CC	Plastic M12x1 threads 3" lanyard with eyelet	Mates to male cordsets and receptacles
	FSK-CC	Plastic M12x1 threads 3" lanyard with eyelet	Mates to female cordsets and receptacles

euromast® Closure Caps

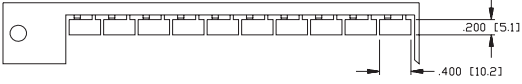
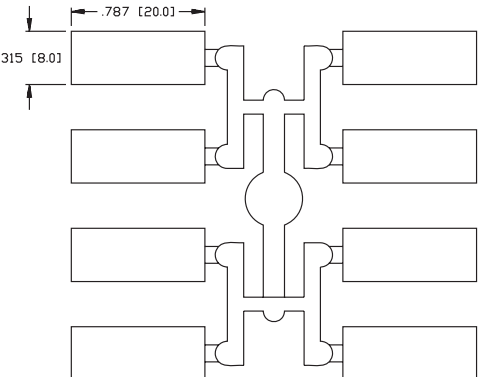
Housing	Part Number	Specs	Application
	RKK-CC	Plastic M12x1 threads	Mates to male cordsets and receptacles
	RSK-CC	Plastic M12x1 threads	Mates to female cordsets and receptacles
	RK-MC	Nickel plated brass M12x1 threads No lanyard	Mates to male cordsets and receptacles
	RKV-MC	Stainless steel M12x1 threads No lanyard	Mates to male cordsets and receptacles
	RS-MC	Nickel plated brass M12x1 threads No lanyard	Mates to female cordsets and receptacles
	RSV-MC	Stainless steel M12x1 threads No lanyard	Mates to female cordsets and receptacles
	VZ3-RED (8/BAG)	Red Nylon	Mates to VB2 series junction boxes and female cordsets and receptacles
	VZ3 (8/BAG)	Nylon	Mates to VB2 series junction boxes and female cordsets and receptacles

TURCK
Network Media Products

***picofast*[®] Closure Caps**

Housing	Part Number	Specs	Application
	<p>PSG-CC (8/BAG)</p>	<p>Nylon</p>	<p>Mates to female snap-lock cordsets, receptacles and junction boxes</p>
	<p>PSGM-CC (8/BAG)</p>	<p>Nylon</p>	<p>Mates to female threaded cordsets, receptacles and junction boxes</p>

Snap-in Labels

Housing	Part Number	Specs	Application
	<p>KS 5/10</p>	<p>10 white labels 5x10 mm each</p>	<p>Snap-in labels for <i>picofast</i>® junction boxes</p>
	<p>VZ 1</p>	<p>8 white labels 8x20 mm each Nylon</p>	<p>Snap-in labels for <i>eurofast</i>® and <i>minifast</i>® JTBS junction boxes</p>

TURCK

Network Media Products

Locknuts

Part Number	Specs	Application	A	B	C	D
LN-PG 9	Nickel plated brass PG 9 threads 5 locknuts per bag	Lock nut eurofast receptacles	0.71" 18.0 mm	0.79" 20.0 mm	0.11" 2.8 mm	PG 9
LN-PG 13.5	Nickel plated brass PG 13.5 threads 5 locknuts per bag	Lock nut eurofast receptacles	0.90" 23.0 mm	1.00" 25.5 mm	0.12" 3.0 mm	PG 13.5
LN 1/4-18/10	Nickel plated brass 1/4-18 threads 10 locknuts per bag	Lock nut eurofast and microfast receptacles	0.43"	0.49"	0.22"	1/4-18
LN 1/2-14/10	Die-cast Zinc 1/2-14 threads 10 locknuts per bag	Lock nut minifast , eurofast and microfast receptacles	0.74"	0.85"	0.43"	1/2-14

