

OEM Stations

- PC-Board Slaves
- Small Footprint
- Ideal for Retrofits
- Bus Powered I/O



FDN-PCB-22

FDN-PCB-22-OEM*

* Not CE



Electrical

- Operating Current: <50 mA plus sum of I/O currents (from DeviceNet)
- Input Current: <700 mA sum of all inputs (from DeviceNet)
- Output Current: <500 mA per output (from DeviceNet)

Power Distribution

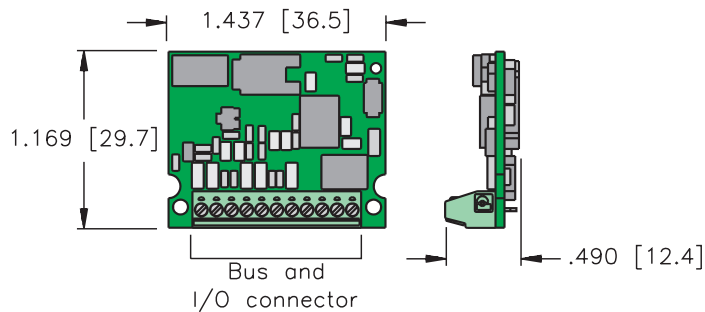
- Inputs: DeviceNet power supply
- Outputs: DeviceNet power supply

Mechanical

- Operating Temperature: -40 to +70°C (-40 to +158°F)
- Protection: Open Frame

Diagnostics (Logical)

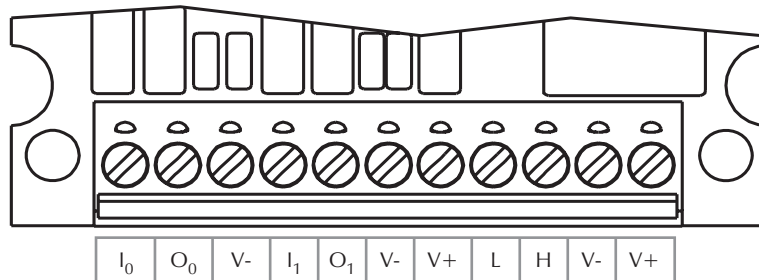
- One bit in I/O table indicates input fault for entire station, one bit per output for fault indication



Inputs								Outputs				Data	
Part Number	Connector	Input Count	Pinout	Style	Group Diagnostics	Individual Diagnostics	OCD	Output Count	Pinout	Current	Individual Diagnostics	OCD	Map
FDN-PCB-22	Screw Terminal	2	DN-O1	PNP	X			2	DN-O1	0.5A	X		1
FDN-PCB-22-OEM	None	2	DN-O1	PNP	X			2	DN-O1	0.5A	X		1

Input/Output Connectors

DN-O1



Note: L refers to CAN_L and H refers to CAN_H

I/O Data Map 1

	Byte	Bit 7	Bit 6	Bit 5	Bit 4	Bit 3	Bit 2	Bit 1	Bit 0
In	0	IGS	-	-	-	OS-1	OS-0	I-1	I-0
Out	0	-	-	-	-	-	-	O-1	O-0

OEM Station

- PC-Board Slaves
- Small Footprint
- Ideal for Retrofits
- Included Mounting Bracket



Electrical

- Operating Current: <50 mA plus sum of I/O currents (from DeviceNet)
- Input Current: <700 mA sum of all inputs (from DeviceNet)
- Output Current: <500 mA per output (from DeviceNet)

Power Distribution

- Inputs: DeviceNet power supply
- Outputs: Auxiliary power supply

Mechanical

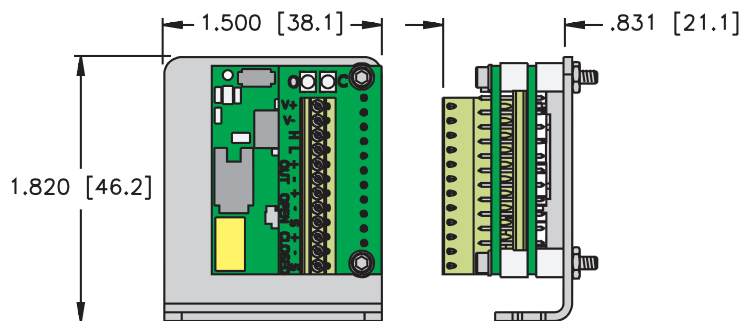
- Operating Temperature: -40 to +70°C (-40 to +158°F)
- Protection: Open Frame

FDN-PCB-22-1003-BKT



Diagnostics (Logical)

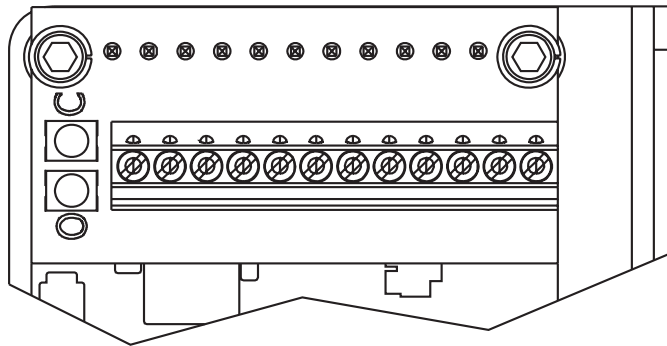
- One bit in I/O table indicates input fault for entire station, one bit per output for fault indication



Part Number	Inputs						Outputs				Data	
	Input Count	Pinout	Style	Group Diagnostics	Individual Diagnostics	OCD	Output Count	Pinout	Current	Individual Diagnostics	OCD	Map
FDN-PCB-22-1003-BKT	2	DN-O3	PNP	X			1	DN-O3	0.5 A	X		1

Input/Output Connectors

DN-O3



V+	V-	H	L	+	-	+	-	S	+	-	S
				Out		Open Input			Closed Input		

DeviceNet

I/O

Note: L refers to CAN_L and H refers to CAN_H

I/O Data Map 1

	Byte	Bit 7	Bit 6	Bit 5	Bit 4	Bit 3	Bit 2	Bit 1	Bit 0
In	0	IGS	-	-	-	OS-1	-	I-1	I-0
Out	0	-	-	-	-	-	-	O-1	-

Operator Station



ODNA-4S-4XSG-E

- Ideal for Operator Interfaces
- IP 67 Protection
- Bus Powered I/O
- Automatic Baud Rate Sensing

Electrical

- Operating Current: <50 mA plus sum of all I/O currents (from DeviceNet)
- Input Current: <700 mA sum of all inputs (from DeviceNet)
- Output Current: <500 mA per output (from DeviceNet)

Power Distribution

- Inputs: DeviceNet power supply
- Outputs: Auxiliary power supply

Mechanical

- Operating Temperature: -25 to +70°C (-13 to +158°F)
- Protection: NEMA 4 / IEC IP 67

Material

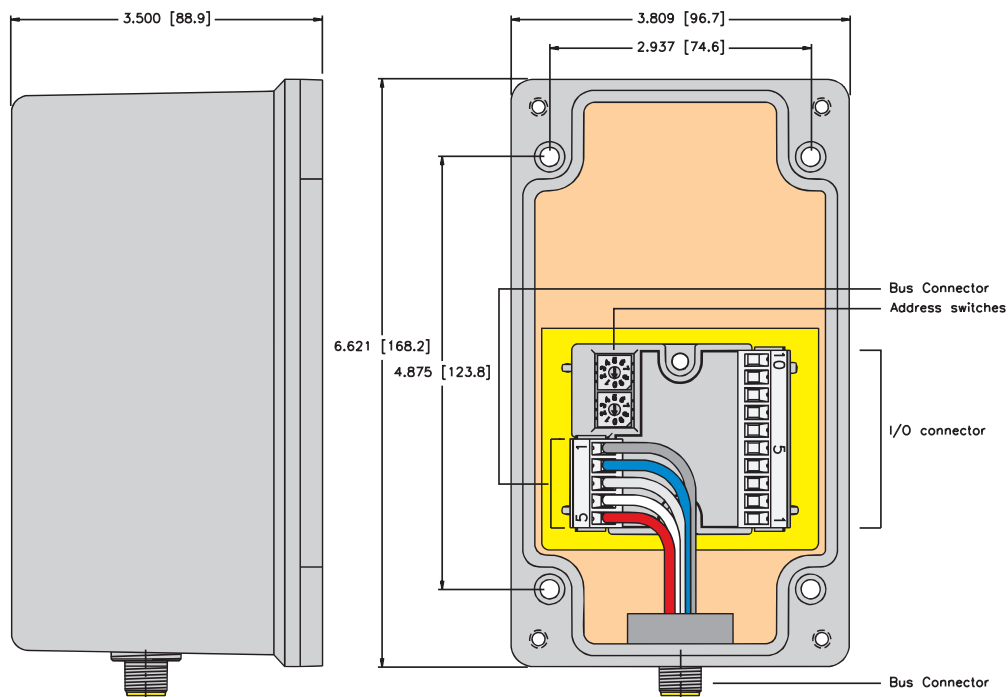
- Connectors: Nickel-plated brass (stainless steel available on request)
- Housing: Fiberglass

Diagnostics (Logical)

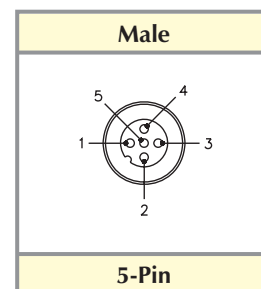
- One bit in I/O table indicates an I/O fault for inputs, one bit for outputs

Diagnostics (Physical)

- LED to indicate status of DeviceNet communication



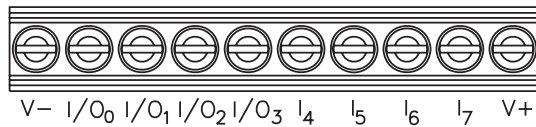
DeviceNet eurofast® Pinouts



Part Number	Inputs						Outputs				Data	
	Input Count	Pinout	Style	Group Diagnostics	Individual Diagnostics	OCD	Output Count	Pinout	Current	Individual Diagnostics	OCD	Map
ODNA-4S-4XSG-E	8	FS	PNP	X			4	FS	0.5A	X		1

Input/Output Connectors

FS



I/O Data Map 1

	Byte	Bit 7	Bit 6	Bit 5	Bit 4	Bit 3	Bit 2	Bit 1	Bit 0
In	0	I-7	I-6	I-5	I-4	I-3	I-2	I-1	I-0
	1	IGS	OGS	-	-	-	-	-	-
Out	0	-	-	-	-	0-3	0-2	0-1	0-0

Covers for ODNA-4S-4XSG-E	
Part Number	Cutouts
OCA-B	Blank
OCA-1-30	1 x 30 mm
OCA-2-30	2 x 30 mm
OCA-1-22	1 x 22 mm
OCA-2-22	2 x 22 mm
OCA-3-22	3 x 22 mm