

TURCK

Pressure Instrumentation

PK Series Pressure Sensors

PK Series

PK sensors were designed to provide an economical sensor option for switch point detection in air and inert gas applications. The compact sensors are IP 65 rated, and ideal for use in pneumatic and robotic applications.

PK sensors are available in two body styles: the pico and nano style to provide for a broader range of mounting options. The sensor is programmed through easy-to-use push buttons, and the menu may be inverted for additional programming flexibility.

PK sensors provide the two pressure ranges most commonly found in pneumatic applications: -29.5 to 0 inHg and 0 to 145 psi, with 3% accuracy.



PK Sensors - Specifications

Electrical Data:

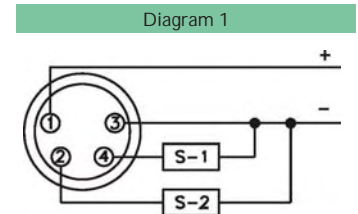
Response Time	<2.5 ms
Operating Frequency	400 Hz
Supply Voltage	10.8-30 V, keyed residual ripple 10%
Input Current During Programming	<55 mA
Input Current in Normal Operation	<35 mA
Switching Outputs.	2x PNP 250 mA short-circuit proof
Display	3 digit 7 segment display
Ambient Temperature Error	3% of measured value at 0 to 50°C
Repeat Accuracy	0.2% of measured value
Hysteresis Adjustable	0 to 100%
Measuring Range	0....-1 bar / 0....10 bar
Overpressure	5 bar / 16 bar

Environmental Conditions:

Protection	IP 67
Measuring Medium	Filtered compressed air, lubricated or unlubricated, inert gases
Emitted Interference.	DIN EN 50081-1
Interference Immunity.	DIN EN 50082-2
High Voltage Test	1000 VDC 1 min
Insulation Resistance	>100 MΩ at 500 VDC
Operating Temperature	-10 to 50°C
Storage Temperature	-20 to 85°C
Permissible Humidity	10 to 90% RH
Shock Resistance	10G XYZ
Vibration Resistance.	10 to 55 Hz, 1.5 mm, 3 planes

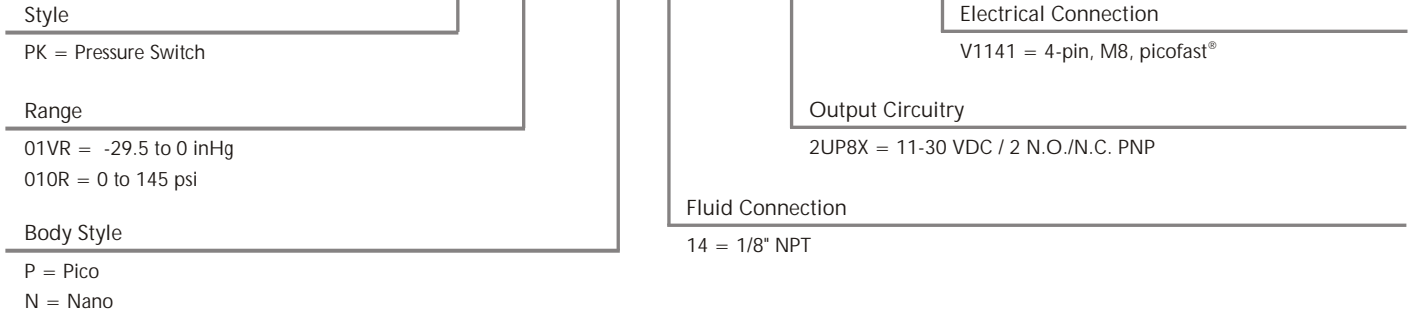
Mechanical Data:

Electrical Connector Plug	M8, 4-pin, picofast®
Measuring Medium Connector	Male 1/8" NPT



PK Sensors - Part Number Key

PK 010R - P 14 - 2UP8X - V1141



PRESSURE

Housing	Part Number	ID Number	Pressure Range	Connection	Mating Cordset	Wiring Diagram	Output
Nano, picofast® Quick Disconnect 	PK01VR-N14-2UP8X-V1141	M6833002	-29.5 to 0 inHg	1/8" NPT	PKG 4M-*	1	2 PNP N.O./N.C.
	PK010R-N14-2UP8X-V1141	M6833003	0 to 145 psi	1/8" NPT	PKG 4M-*	1	
Pico, picofast Quick Disconnect 	PK01VR-P14-2UP8X-V1141	M6833006	-29.5 to 0 inHg	1/8" NPT	PKG 4M-*	1	2 PNP N.O./N.C.
	PK010R-P14-2UP8X-V1141	M6833007	0 to 145 psi	1/8" NPT	PKG 4M-*	1	