

TURCK

Network Media Products

PROFIBUS®-PA, *minifast*® Passive Multiport Junctions (Bricks)

- Rugged, Fully Encapsulated Enclosure
- For Connecting I/O in Concentrated Areas
- Suitable for Outdoor Applications

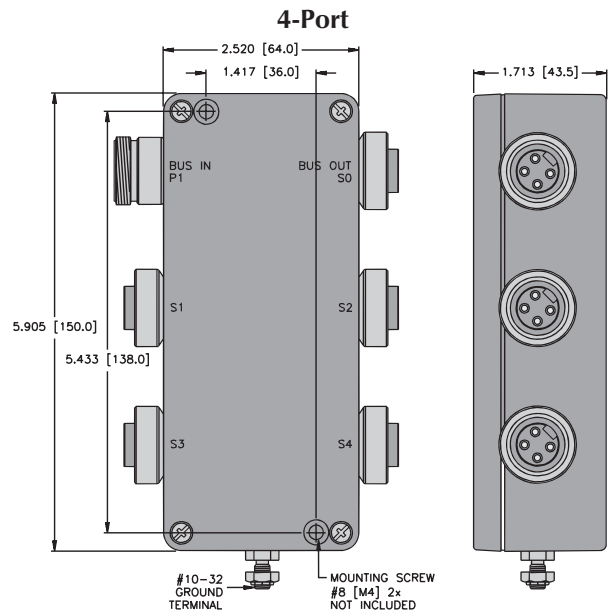
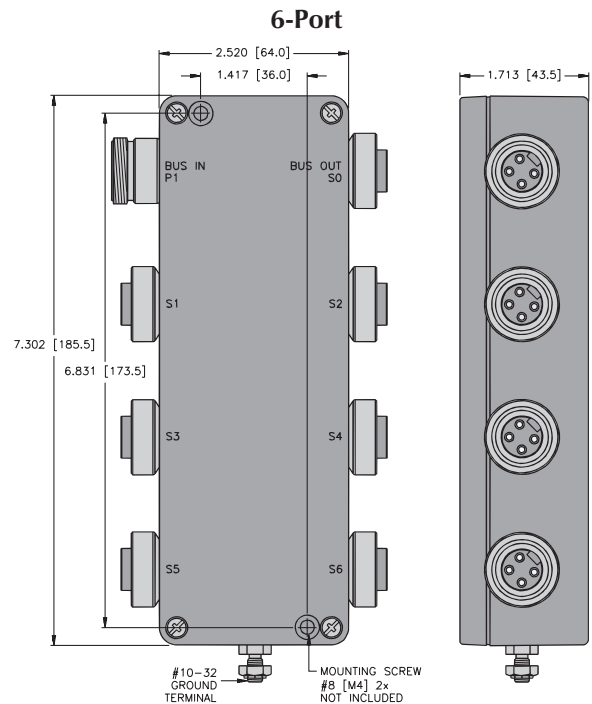
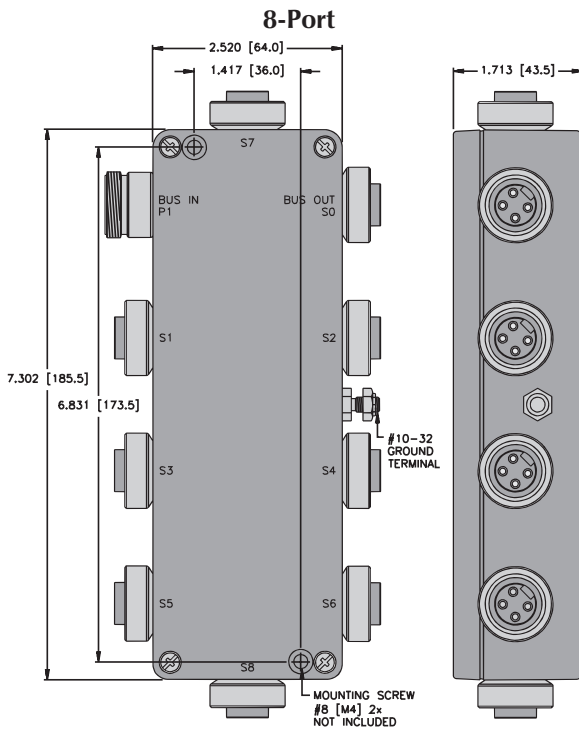


Part Number	Specs	Application	Wiring Diagrams
JBBS-48-M413	No short-circuit protection	4-port Junction <ul style="list-style-type: none"> • Bus in/bus out connections (7/8-16UN) <i>minifast</i> • Four (7/8-16UN) <i>minifast</i> connectors for field devices • CL I, Div 2; Groups A-D see TURCK drawing N1-2.400 T6, Ta = 70°C (SC Only) 	
JBBS-48SC-M413	Electrical <ul style="list-style-type: none"> • Short-circuit protection: 55 mA (Isc) • Open circuit voltage: 35 VDC • Current consumption: 5 mA Diagnostic <ul style="list-style-type: none"> • LED indicators Power: Green = On Short-circuit: Red = Shorted 		
JBBS-48-M613	No short-circuit protection	6-port Junction <ul style="list-style-type: none"> • Bus in/bus out connections (7/8-16UN) <i>minifast</i> • Six (7/8-16UN) <i>minifast</i> connectors for field devices • CL I, Div 2; Groups A-D see TURCK drawing N1-2.400 T6, Ta = 70°C (SC Only) 	
JBBS-48SC-M613	Electrical <ul style="list-style-type: none"> • Short-circuit protection: 55 mA (Isc) • Open circuit voltage: 35 VDC • Current consumption: 5 mA Diagnostic <ul style="list-style-type: none"> • LED indicators Power: Green = On Short-circuit: Red = Shorted 		
JBBS-48-M813	No short-circuit protection	8-port Junction <ul style="list-style-type: none"> • Bus in/bus out connections (7/8-16UN) <i>minifast</i> • Eight (7/8-16UN) <i>minifast</i> connectors for field devices • CL I, Div 2; Groups A-D see TURCK drawing N1-2.400 T6, Ta = 70°C (SC Only) 	
JBBS-48SC-M813	Electrical <ul style="list-style-type: none"> • Short-circuit protection: 55 mA (Isc) • Open circuit voltage: 35 VDC • Current consumption: 5 mA Diagnostic <ul style="list-style-type: none"> • LED indicators Power: Green = On Short-circuit: Red = Shorted 		

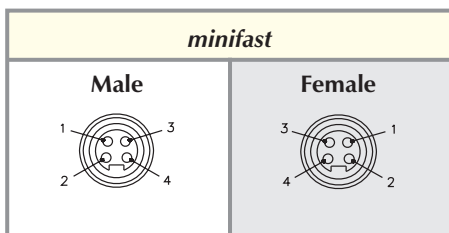
Specifications

Housing:	Anodized Aluminum
Coupling Nut:	Nickel Plated CuZn or Stainless Steel
Contact Carrier:	TPU (Polyurethane)
Contacts:	Gold Plated CuZn
Protection:	NEMA 1, 3, 4, 6P and IEC IP 67, IP 68, IP 69K
Rated Voltage:	300 V
Rated Current:	9 A
Ambient Temperature:	-40° to +75°C (-40° to +167°F)

Dimensions



Pinouts



TURCK

Network Media Products

PROFIBUS®-PA, *minifast*® Passive Multiport Junctions (Bricks)

- Rugged, Fully Encapsulated Enclosure
- For Connecting I/O in Concentrated Areas
- Suitable for Outdoor Applications

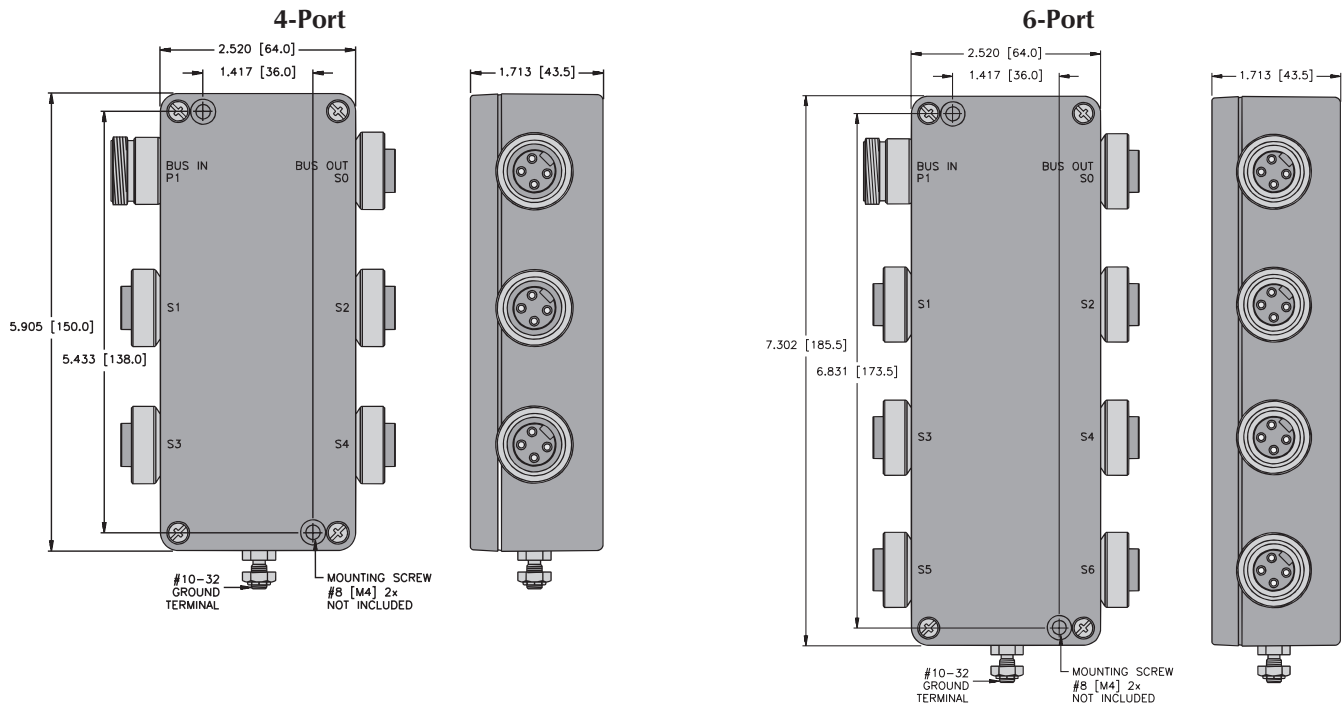


Part Number	Specs	Application	Wiring Diagrams
JBBS-48-M423	No short-circuit protection Fiberglass housing	4-port Junction <ul style="list-style-type: none"> • Bus in/bus out connections (7/8-16UN) <i>minifast</i> • Four (7/8-16UN) <i>minifast</i> connectors for field devices CL I, Div 2; Groups A-D see TURCK drawing N1-2.400 T6, Ta = 70°C (SC Only)	
JBBS-48-M623	No short-circuit protection Fiberglass housing	6-port Junction <ul style="list-style-type: none"> • Bus in/bus out connections (7/8-16UN) <i>minifast</i> • Six (7/8-16UN) <i>minifast</i> connectors for field devices CL I, Div 2; Groups A-D see TURCK drawing N1-2.400 T6, Ta = 70°C (SC Only)	

Specifications

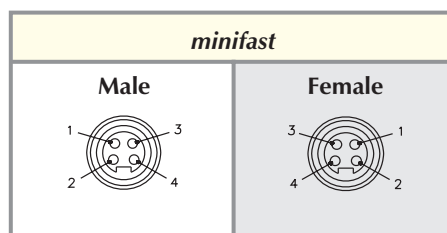
Housing:	Fiberglass
Coupling Nut:	Nickel Plated CuZn or Stainless Steel
Contact Carrier:	TPU (Polyurethane)
Contacts:	Gold Plated CuZn
Protection:	NEMA 1, 3, 4, 6P and IEC IP 67, IP 68, IP 69K
Rated Voltage:	300 V
Rated Current:	9 A
Ambient Temperature:	-40° to +75°C (-40° to +167°F)

Dimensions



PROFIBUS-PA Media

Pinouts



TURCK

Network Media Products

PROFIBUS®-PA, eurofast® Passive Multiport Junctions (Bricks)

- Rugged, Fully Encapsulated Enclosure
- For Connecting I/O in Concentrated Areas
- Suitable for Outdoor Applications

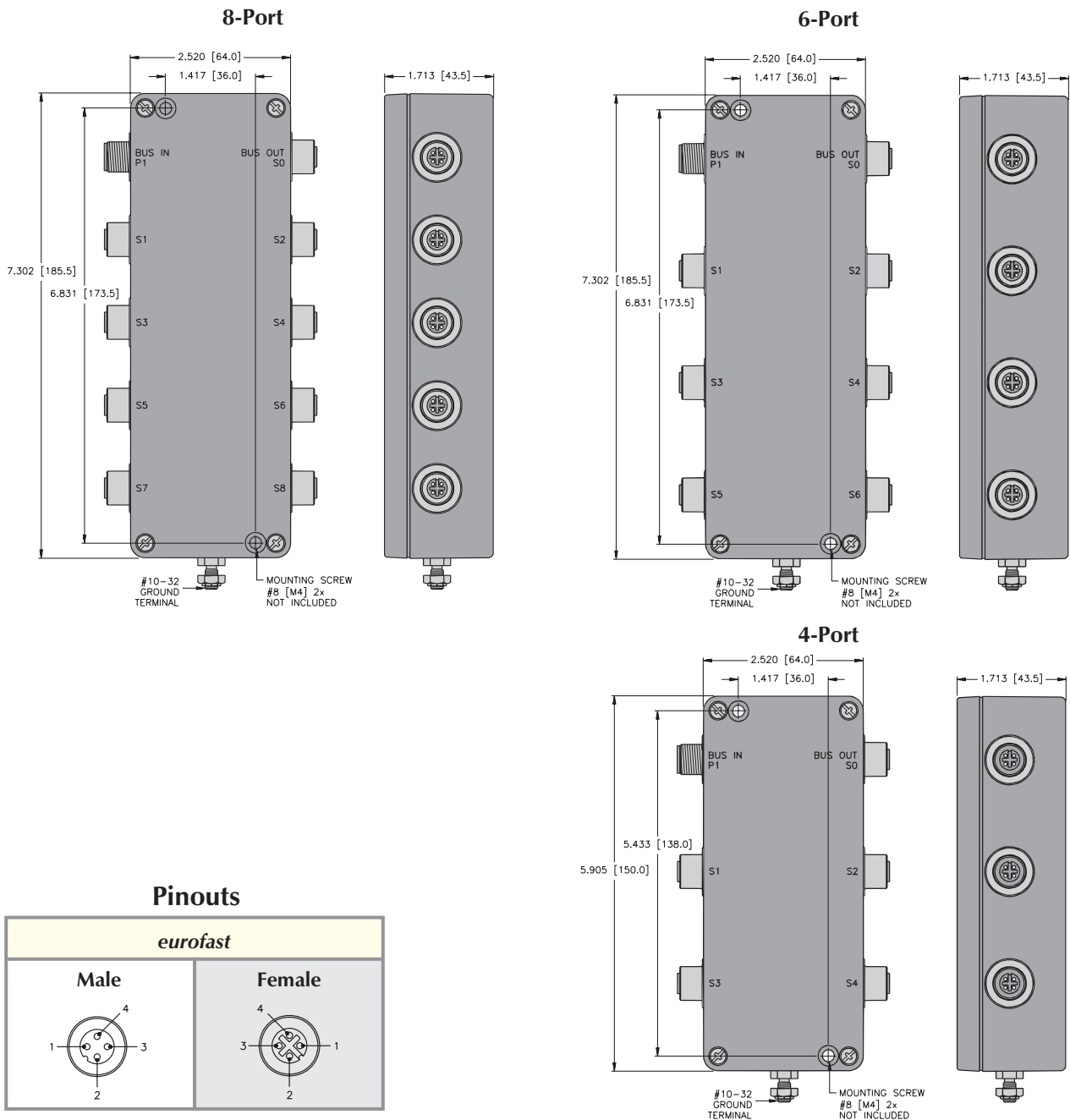


Part Number	Specs	Application	Wiring Diagrams
JBBS-48-E413	No short-circuit protection	4-port Junction <ul style="list-style-type: none"> • Bus in/bus out connections (M12x1) eurofast • Four (M12x1) eurofast connectors for field devices • CL I, Div 2; Groups A-D see TURCK drawing N1-2.400 T6, Ta = 70°C (SC Only) 	
JBBS-48SC-E413	Electrical <ul style="list-style-type: none"> • Short-circuit protection: 55 mA (Isc) • Open circuit voltage: 35 VDC • Current consumption: 5 mA Diagnostic <ul style="list-style-type: none"> • LED indicators Power: Green = On Short-circuit: Red = Shorted 		
JBBS-48-E613	No short-circuit protection	6-port Junction <ul style="list-style-type: none"> • Bus in/bus out connections (M12x1) eurofast • Six (M12x1) eurofast connectors for field devices • CL I, Div 2; Groups A-D see TURCK drawing N1-2.400 T6, Ta = 70°C (SC Only) 	
JBBS-48SC-E613	Electrical <ul style="list-style-type: none"> • Short-circuit protection: 55 mA (Isc) • Open circuit voltage: 35 VDC • Current consumption: 5 mA Diagnostic <ul style="list-style-type: none"> • LED indicators Power: Green = On Short-circuit: Red = Shorted 		
JBBS-48-E813	No short-circuit protection	8-port Junction <ul style="list-style-type: none"> • Bus in/bus out connections (M12x1) eurofast • Eight (M12x1) eurofast connectors for field devices • CL I, Div 2; Groups A-D see TURCK drawing N1-2.400 T6, Ta = 70°C (SC Only) 	
JBBS-48SC-E813	Electrical <ul style="list-style-type: none"> • Short-circuit protection: 55 mA (Isc) • Open circuit voltage: 35 VDC • Current consumption: 5 mA Diagnostic <ul style="list-style-type: none"> • LED indicators Power: Green = On Short-circuit: Red = Shorted 		

Specifications

Housing:	Anodized Aluminum
Coupling Nut:	Nickel Plated CuZn or Stainless Steel
Contact Carrier:	TPU (Polyurethane)
Contacts:	Gold Plated CuZn
Protection:	NEMA 1, 3, 4, 6P and IEC IP 67, IP 68, IP 69K
Rated Voltage:	250 V
Rated Current:	4 A
Ambient Temperature:	-40° to +75°C (-40° to +167°F)

Dimensions



TURCK

Network Media Products

PROFIBUS®-PA, *eurofast*® Passive Multiport Junctions (Bricks), Short-Circuit Protected

- Rugged, Fully Encapsulated Enclosure
- For Connecting I/O in Concentrated Areas
- Suitable for Outdoor Applications



Part Number	Specs	Application	Wiring Diagrams
JBBS-48SC-E613/EX	<p>Diagnostic</p> <ul style="list-style-type: none"> • LED indicators Power: Green = On Short-circuit: Red = Shorted • Short-Circuit Protection ≤ 35 mA • Current consumption ≤ 7 mA • Voltage drop ≤ 0.3 V 	<p>6-port Junction</p> <ul style="list-style-type: none"> • Bus in/bus out connections (M12x1) <i>eurofast</i> • Six (M12x1) <i>eurofast</i> connectors for field devices <p>CL I, Div 2; Groups A-D see TURCK drawing N1-2.400 T6, Ta = 70°C (SC Only) FISCO/ENTITY Field Device</p>	

Specifications

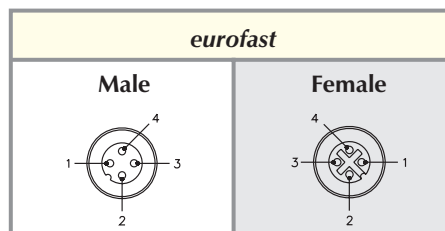
Housing:	Anodized Aluminum
Coupling Nut:	Nickel Plated CuZn
Contact Carrier:	TPU (Polyurethane)
Contacts:	Gold Plated CuZn
Protection:	NEMA 1, 3, 4, 6P and IEC IP 67, IP 68, IP 69K
Rated Voltage:	250 V
Rated Current:	4 A
Ambient Temperature:	-40° to +75°C (-40° to +167°F)

Dimensions

6-Port



Pinouts



TURCK

Network Media Products

PROFIBUS®-PA, *eurofast*® Passive Multiport Junctions (Bricks)

- Rugged, Fully Encapsulated Enclosure
- For Connecting I/O in Concentrated Areas
- Suitable for Outdoor Applications

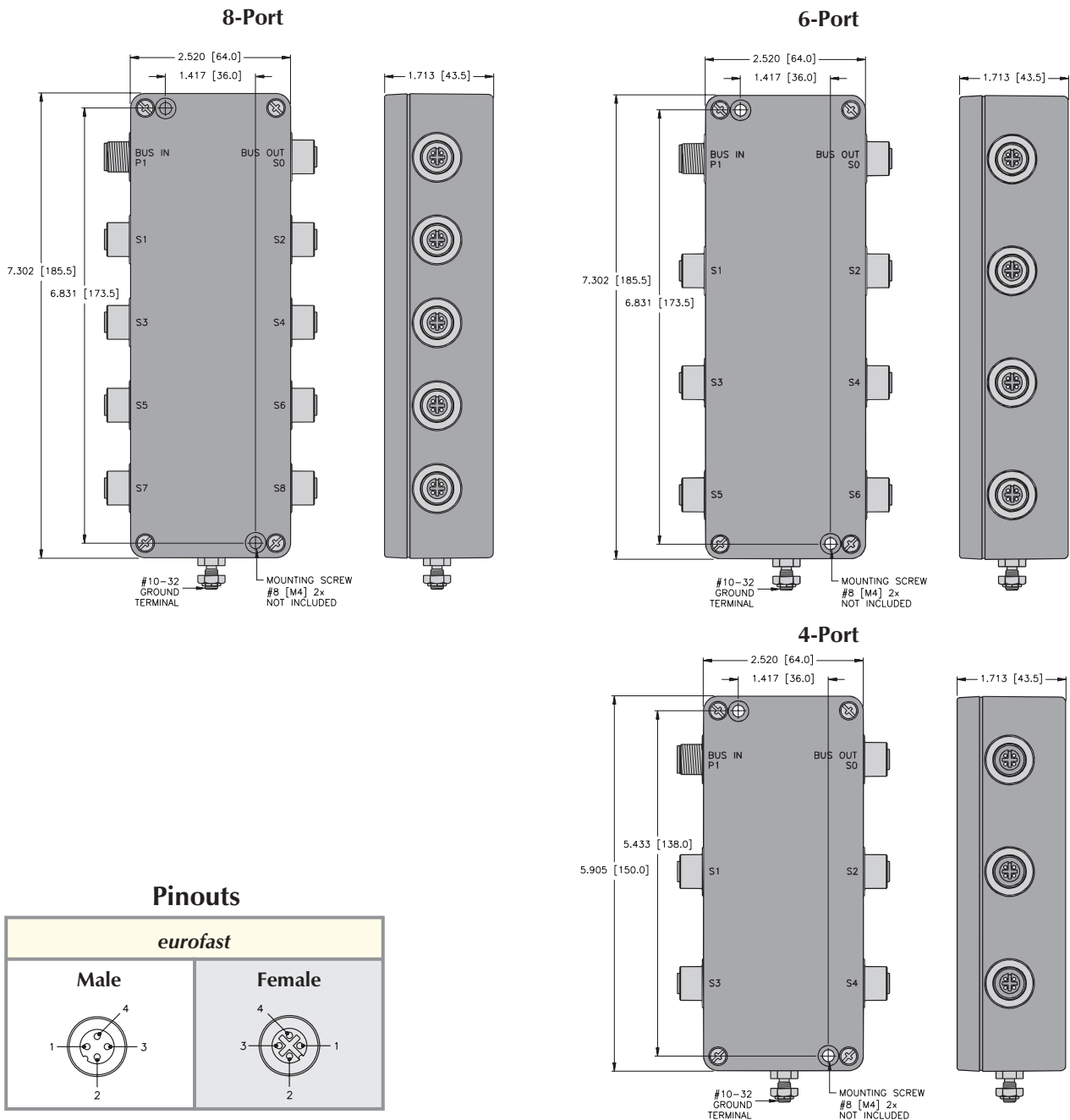


Part Number	Specs	Application	Wiring Diagrams
JBBS-48-E414	No short-circuit protection	<p>4-port Junction</p> <ul style="list-style-type: none"> • Bus in/bus out connections (M12x1) eurofast • Four (M12x1) eurofast connectors for field devices <p>CL I, Div 2; Groups A-D see TURCK drawing N1-2.400 T6, Ta = 70°C (SC Only)</p>	
JBBS-48-E614	No short-circuit protection	<p>6-port Junction</p> <ul style="list-style-type: none"> • Bus in/bus out connections (M12x1) eurofast • Six (M12x1) eurofast connectors for field devices <p>CL I, Div 2; Groups A-D see TURCK drawing N1-2.400 T6, Ta = 70°C (SC Only)</p>	
JBBS-48-E814	No short-circuit protection	<p>8-port Junction</p> <ul style="list-style-type: none"> • Bus in/bus out connections (M12x1) eurofast • Eight (M12x1) eurofast connectors for field devices <p>CL I, Div 2; Groups A-D see TURCK drawing N1-2.400 T6, Ta = 70°C (SC Only)</p>	

Specifications

Housing:	Anodized Aluminum
Coupling Nut:	Nickel Plated CuZn or Stainless Steel
Contact Carrier:	TPU (Polyurethane)
Contacts:	Gold Plated CuZn
Protection:	NEMA 1, 3, 4, 6P and IEC IP 67, IP 68, IP 69K
Rated Voltage:	250 V
Rated Current:	4 A
Ambient Temperature:	-40° to +75°C (-40° to +167°F)

Dimensions



TURCK

Network Media Products

PROFIBUS®-PA, *minifast*® Junction Tees

- **Indoor Use Only**
(for outdoor applications use *JBBS* family)
- **Multi-port Junction Provides a Rugged Connection to Network Devices**
- **Bus-in/Bus-out Feature Eliminates Need for Splitter Tee**



Part Number	Specs	Application	Wiring Diagrams
JTBS-48-M433	No short-circuit protection	4-port Junction Tee <ul style="list-style-type: none"> • (7/8-16UN) <i>minifast</i> bus in/bus out connections • Four (7/8-16UN) <i>minifast</i> device ports • For nickel plated brass connectors change part number to JTBS 48SC-M434 • CL I, Div 2; Groups A-D see TURCK drawing N1-2.400 T6, Ta = 70°C (SC Only) 	
JTBS-48SC-M433	Electrical <ul style="list-style-type: none"> • Short-circuit protection: 55 mA (Isc) • Open circuit voltage: 35 VDC • Current consumption: 5 mA Diagnostic <ul style="list-style-type: none"> • LED indicators Power: Green = On Short-circuit: Red = Shorted 		
JTBS-48-M633	No short-circuit protection	6-port Junction Tee <ul style="list-style-type: none"> • (7/8-16UN) <i>minifast</i> bus in/bus out connections • Six (7/8-16UN) <i>minifast</i> device ports • For nickel plated brass connectors change part number to JTBS 48SC-M634 • CL I, Div 2; Groups A-D see TURCK drawing N1-2.400 T6, Ta = 70°C (SC Only) 	
JTBS-48SC-M633	Electrical <ul style="list-style-type: none"> • Short-circuit protection: 55 mA (Isc) • Open circuit voltage: 35 VDC • Current consumption: 5 mA Diagnostic <ul style="list-style-type: none"> • LED indicators Power: Green = On Short-circuit: Red = Shorted 		

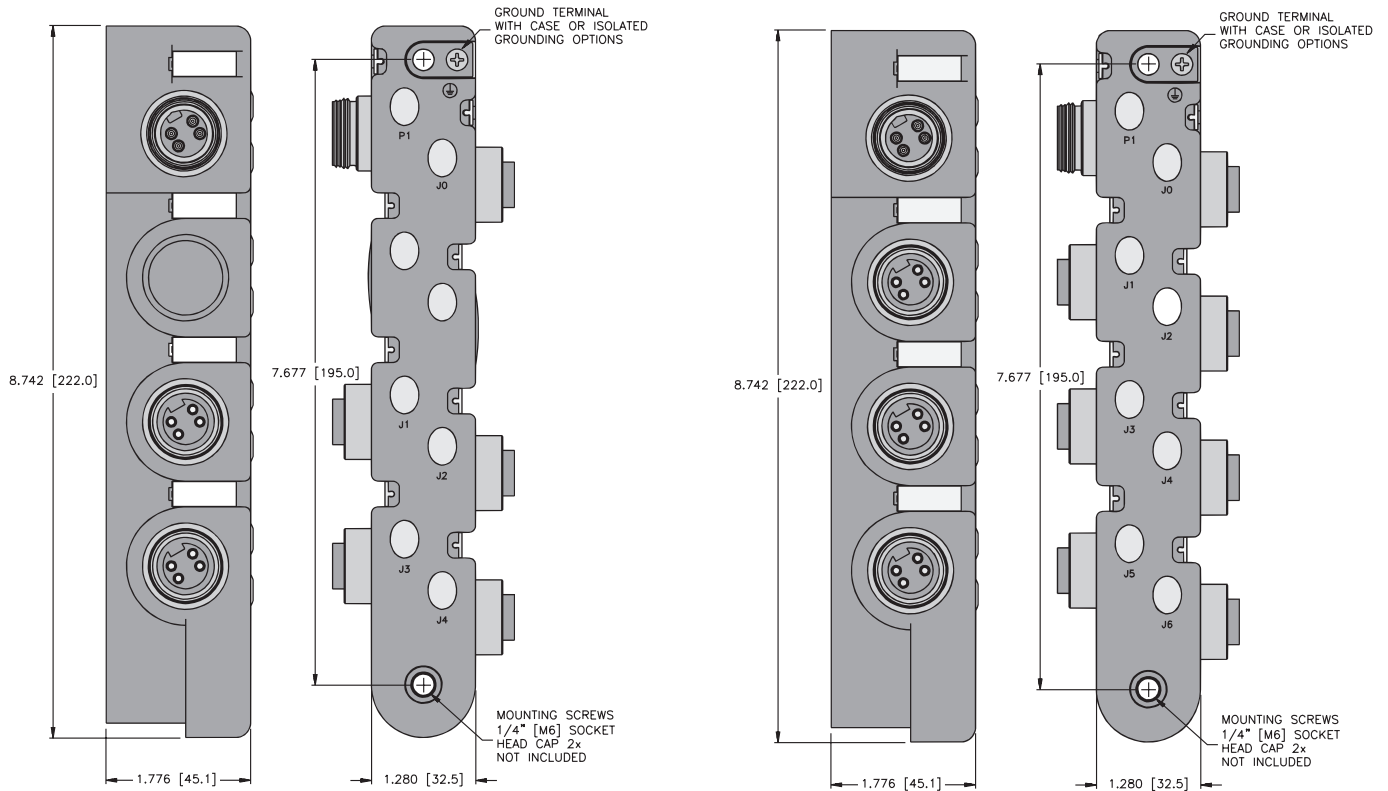
Specifications

Housing:	PUR (Polyurethane)
Coupling Nut:	Nickel Plated CuZn or Stainless Steel
Contact Carrier:	POM (Nylon)
Contacts:	Gold Plated CuZn
Protection:	NEMA 1, 3, 4, 6P and IEC IP 67
Rated Voltage:	250 V
Rated Current:	4 A
Ambient Temperature:	-40° to +75°C (-40° to +167°F)

Dimensions

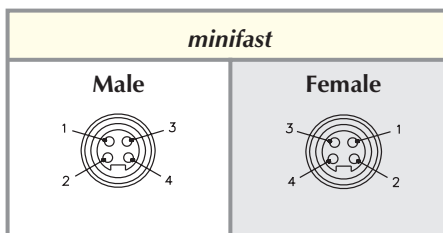
4-port

6-port



PROFIBUS-PA Media

Pinouts



TURCK

Network Media Products

PROFIBUS®-PA, eurofast® Junction Tee

- **Indoor Use Only**
(for outdoor applications use JBBS family)
- **Multi-port Junction Provides a Rugged Connection to Network Devices**
- **Bus-in/Bus-out Feature Eliminates Need for Splitter Tee**



Part Number	Specs	Application	Wiring Diagrams
JTBS-48-E433	No short-circuit protection	4-port Junction Tee	
JTBS-48SC-E433	<p>Electrical</p> <ul style="list-style-type: none"> • Short-circuit protection: 55 mA (Isc) • Open circuit voltage: 35 VDC • Current consumption: 5 mA <p>Diagnostic</p> <ul style="list-style-type: none"> • LED indicators Power: Green = On Short-circuit: Red = Shorted 	<ul style="list-style-type: none"> • (M12x1) eurofast bus in/bus out connections • Four (M12x1) eurofast device ports • For nickel plated brass connectors change part number to JTBS 48SC-E434 • CL I, Div 2; Groups A-D see TURCK drawing N1-2.400 T6, Ta = 70°C (SC Only) 	
JTBS-48-E633	No short-circuit protection	6-port Junction Tee	
JTBS-48SC-E633	<p>Electrical</p> <ul style="list-style-type: none"> • Short-circuit protection: 55 mA (Isc) • Open circuit voltage: 35 VDC • Current consumption: 5 mA <p>Diagnostic</p> <ul style="list-style-type: none"> • LED indicators Power: Green = On Short-circuit: Red = Shorted 	<ul style="list-style-type: none"> • (M12x1) eurofast bus in/bus out connections • Six (M12x1) eurofast device ports • For nickel plated brass connectors change part number to JTBS 48SC-E634 • CL I, Div 2; Groups A-D see TURCK drawing N1-2.400 T6, Ta = 70°C (SC Only) 	

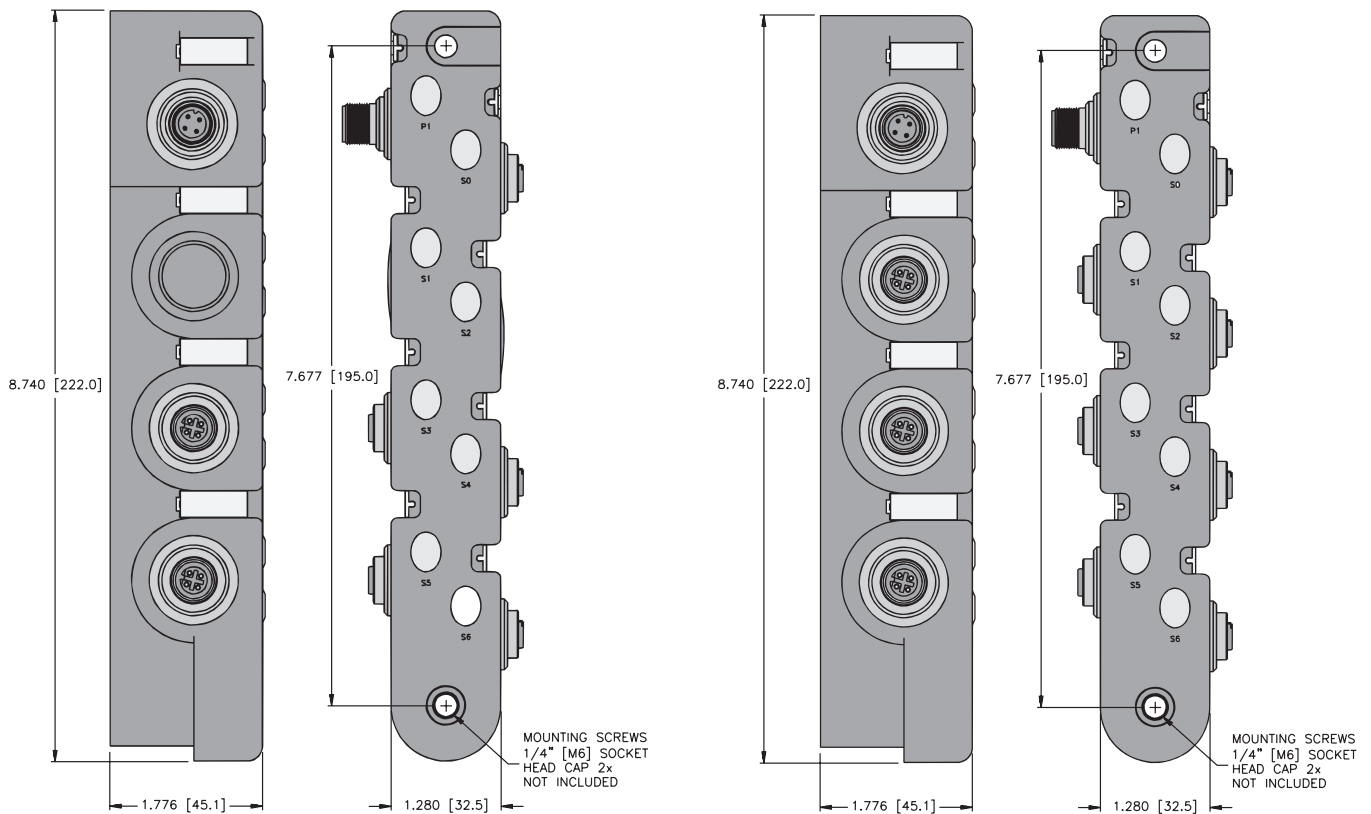
Specifications

Housing:	PUR (Polyurethane)
Coupling Nut:	Nickel Plated CuZn or Stainless Steel
Contact Carrier:	POM (Nylon)
Contacts:	Gold Plated CuZn
Protection:	NEMA 1, 3, 4, 6P and IEC IP 67
Rated Voltage:	250 V
Rated Current:	4 A
Ambient Temperature:	-40° to +75°C (-40° to +167°F)

Dimensions

4-port

6-port



Pinouts

<i>minifast</i>		<i>eurofast</i>
Male	Female	Female
