

PT510

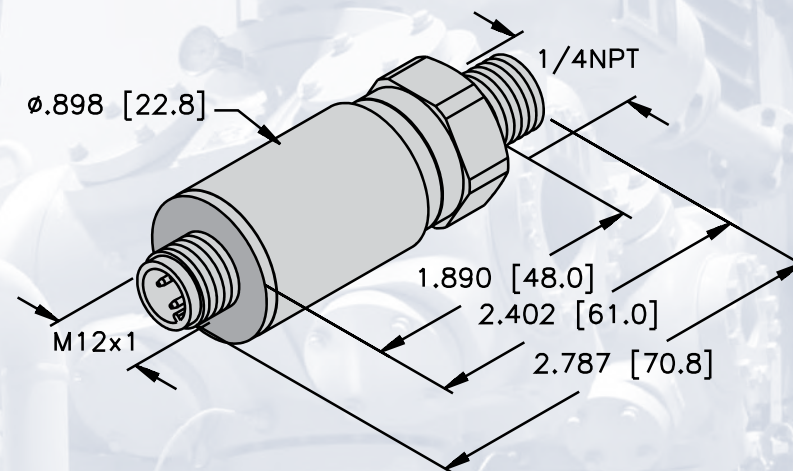
Pressure Sensors for Industrial Applications

TURCK
works

Industrial
Automation

The PT510 pressure sensor from TURCK has the following advantages:

- Stainless Steel Diaphragm
- Fully Welded Construction
- Silicon Gel Filled



Four pressure ranges are available: 0-100 psig, 0-200 psig, 0-300 psig and 0-500 psig. The sensor's output is a 4-20 mA analog signal.

Applications

- Refrigeration
- Irrigation
- Pumping



Specifications

- 8-33 VDC Supply Voltage
- Accuracy 0.5% Full Scale
- IP 67
- 1/4" NPT Fluid Connection

Technical Data

ID Number	Part Number	Range	Output
H683146210	PT510-10psig-13-LI3-H1131	0-100 psig	4-20 mA
H683146211	PT510-200psig-13-LI3-H1131	0-200 psig	4-20 mA
H68314613	PT510-300psig-13-LI3-H1131	0-300 psig	4-20 mA
H68314612	PT510-500psig-13-LI3-H1131	0-500 psig	4-20 mA