

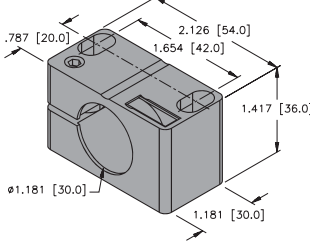
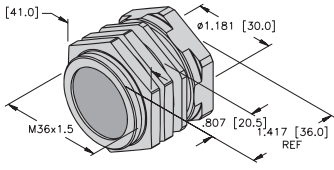
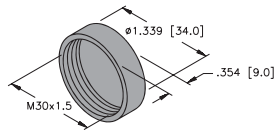
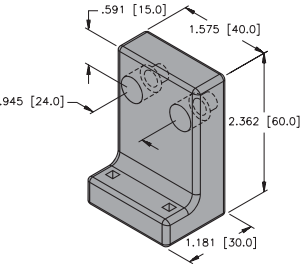
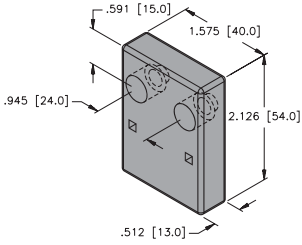
Housing	Part Number	ID Number	Description	Material	For Sensor Types
	SG40/2	M6900369	Temperature resistant protective housing for CP40	Ultem	Rectangular CK40
	JS 025/037	M69429	Mounting rail for housing CK40	Stainless steel	Rectangular CK40
	DS-R30	M6900512	Spacer ring for data carrier Ø 30 mm ¹	Plastic	
	DS-R50	M6900386	Spacer ring for data carrier Ø 50 mm*	Plastic	
	BST-BS	M6947220	Labeling plate for BST- fixing clamps	Plastic	All

* Spacer to provide minimum distance required between data carrier and metal ferrous mounting surface.



Housing	Part Number	ID Number	Description	Material	For Sensor Types
	MF-CK40-1S	M6900481	Protective housing for CK40, single side	Metal	Rectangular CK40
	MF-CK40-2S	M6900482	Protective housing for CK40, angle	Metal	Rectangular CK40
	MF-CK40-3S	M6900483	Protective housing for CK40, U profile	Metal	Rectangular CK40
	T-CK40-T-FC	A5202	Protective teflon caps	PTFE	Rectangular CK40
	T-CK40-D-FC	A5160	Protective cap, resistant to high temperatures	Derlin	Rectangular CK40



Housing	Part Number	ID Number	Description	Material	For Sensor Types
	BST-30B	M6947216	Mounting block with mechanical lock for cylindrical sensors Ø 30 mm	Polyamid	Threaded barrel M30
	BST-30N	M6947217	Mounting block without mechanical lock for cylindrical sensors Ø 30 mm	Polyamid	Threaded barrel M30
	QM-30	M6945103	Mounting brackets for cylindrical sensors Ø 30 mm	Chrome-plated brass	Threaded barrel M30
	CAP 30-PTFE	A3057	Protective teflon caps	PTFE	Threaded barrel M30, for embeddable sensors
	CAP 30N-PTFE	A3058	Protective teflon caps	PTFE	Threaded barrel M30, for nonembeddable sensors
	BST-UH	M6947219	Mounting accessories for mounting blocks	Polyamid	Threaded barrel M18 Threaded barrel M30
	BST-UV	M6947218	Mounting accessories for mounting blocks	Polyamid	Threaded barrel M18 Threaded barrel M30

TURCK offers a wide range of accessories for installation and protection of sensors.

Mounting blocks as well as quick mounting brackets are offered for all cylindrical versions, diameter 6.5 mm, M8x1, M12x1, M18x1 and M30x1.5.

The JS 025/037 mounting rail facilitates installation and adjustment of CP40 and CK40 model sensors.

Protective holders which also simplify installation of CK40 and CP40 model sensors offer additional protection against mechanical damage.

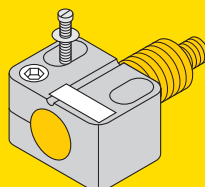
Housing	Part Number	ID Number	Description	Material	Sensor Types
	BS18	M6947100	Mounting block for cylindrical sensors Ø 18 mm	Polyamid	Threaded barrel M18
	BSN18	M6947200	Mounting clamp for cylindrical sensors Ø 18 mm	PBT	Threaded barrel M18
	BST-18B	M6947214	Mounting block with mechanical lock for cylindrical sensors Ø 18 mm	Polyamid	Threaded barrel M18
	BST-18N	M6947215	Mounting block without mechanical lock for cylindrical sensors Ø 18 mm	Polyamid	Threaded barrel M18
	QM-18	M6945102	Mounting brackets for cylindrical sensors Ø 18 mm	Chrome-plated brass	Threaded barrel M18
	CAP-18-PTFE	A3055	Protective teflon caps	PTFE	Threaded barrel M18, for embeddable sensors
	CAP-18N-PTFE	A3056	Protective teflon caps	PTFE	Threaded barrel M18, for nonembeddable sensors

Mounting Blocks:

- Mounting:
 - B version with mechanical lock,
 - N version without mechanical lock
- Position of fixing mounting clamps is retained during replacement of sensors
- Modular structure via mounting accessories
- Universal labelling plates

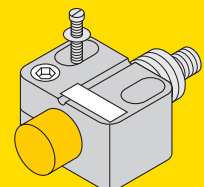
B version














– with mechanical lock



N version

– without mechanical lock



PVC Cable	No. of Conds.	AWG	Jacket Characteristics	ID Number	Ship Wt. (lbs)	Cond. Colors	Shield	UL	CSA	Type	MSHA	Temp. (°C)
	4	26	4.4 mm OD, PVC, YE, 300 V	RF50697-30M RF50697-100M RF50697-200M	2 6 12	BN, WH, BU, BK		•	•	AWM 2517		105° -40°
	5	16	13.2 mm OD, PVC, YE, 600 V	RF50539-30M RF50539-100M RF50539-200M	17 55 110	WH, RD, GN, OG, BK		•	•	STOW	•	105° -40°
	5	16	13.2 mm OD, PVC, YE, 600 V	RF50540-30M RF50540-100M RF50540-200M	17 56 110	RD/BK, RD/WH, RD/BU, GN, RD/OG		•	•	STOW	•	105° -40°
	5	16	13.2 mm OD, PVC, GY, 600 V	RF50680-30M RF50680-100M RF50680-200M	17 54 108	BK, WH, RD, GN, OG		•	•	STOW		105° -40°
	5	18	7.3 mm OD, PVC, YE, 300 V	RF50521-30M RF50521-100M RF50521-200M	6 19 38	RD/BU, GN, RD/OG, RD/BK, RD/WH		•	•	AWM 2517		105° -40°
	5	18	7.3 mm OD, PVC, YE, 300 V	RF50549-30M RF50549-100M RF50549-200M	6 20 39	BK, BU, GN/YE, BN, WH		•	•	AWM 2517	•	105° -40°
	5	18	7.3 mm OD, PVC, GY, 300 V	RF50630-30M RF50630-100M RF50630-200M	6 20 39	BK, BU, GN/YE, BN, WH		•	•	AWM 2517	•	105° -40°
	5	18	7.2 mm OD, PVC, YE, 300 V	RF50578-30M RF50578-100M RF50578-200M	6 19 38	BK, BU, YE, BN, WH		•	•	AWM 2517		105° -40°
	5	18	7.0 mm OD, PVC, YE, 300 V	RF51084-30M RF51084-100M RF51084-200M	6 20 40	BN, BK, WH, GY, BU		•	•	AWM 2517		105° -40°
	5	20 22	5.7 mm OD, PVC, GY, 300 V	RF50563-30M RF50563-100M RF50563-200M	4 11 21	22 = BU, BN, WH, BK 20 = GN/YE		•	•	AWM 2517		105° -40°
	5	22	5.7 mm OD, PVC, GY, 300 V	RF50609-30M RF50609-100M RF50609-200M	4 11 22	GY, BN, WH, BK, BU, Drain (24)	Foil/Drain	•	•	AWM 2517		105° -40°
	5	22	7.3 mm OD, PVC, GY, 300 V	RF50713-30M RF50713-100M RF50713-200M	6 18 36	BN, WH, BU, BK, GY, Drain (20)	Foil/Drain Braid	•	•	AWM 2517		105° -40°
	5	22	5.7 mm OD, PVC, GY, 300 V	RF50543-30M RF50543-100M RF50543-200M	4 11 22	GY, BN, WH, BU, BK		•	•	AWM 2517	•	105° -40°
	5	22	5.7 mm OD, PVC, YE, 300 V	RF50556-30M RF50556-100M RF50556-200M	4 11 22	RD/BK, RD/WH, RD, GN, RD/YE		•	•	AWM 2517	•	105° -40°
	5	22	5.7 mm OD, PVC, YE, 300 V	RF50684-30M RF50684-100M RF50684-200M	4 11 22	BN, WH, GY, BK, BU		•	•	AWM 2517	•	105° -40°
	5	22	6.8 mm OD, PVC, BU, 300 V	RF50767-30M RF50767-100M RF50767-200M	5 15 29	WH, BK, GN, RD, OG		•	•	AWM 2517/PLTC		105° -25°
	5	22	5.7 mm OD, PVC, BK, 300 V	RF50982-30M RF50982-100M RF50982-200M	4 11 22	GY, BN, WH, BU, BK		•	•	AWM 2517	•	105° -40°
	6	12	12.7 mm OD, PVC, BK, 600 V	RF51059-30M RF51059-100M RF51059-200M	18 59 117	BK, RD, BU, OG, YE, BN		•				90° -40°
	6	12	15.3 mm OD, PVC, YE, 600 V	RF51286-30M RF51286-100M RF51286-200M	25 83 165	BU, RD, GN, BN, OG, YE	Braid	•	•	AWM 2839 TC-ER		90° -40°
	6	14	10.5 mm OD, PVC, YE, 300 V	RF51078-30M RF51078-100M RF51078-200M	14 45 89	WH, RD, GN, OG, BK, BU		•	•	AWM 2517		105° -40°
	6	16	13.2 mm OD, PVC, YE, 600 V	RF50565-30M RF50565-100M RF50565-200M	17 56 111	WH, BK, GN, OG, RD, BU		•	•	STOW	•	105° -40°

Display type 571 Incremental

Reliable

- AC and DC supply voltage in one unit.
- 48 x 96 mm DIN housing, IP65.
- Large, 6-digit, 15 mm high LED-display with adjustable brightness.
- Fast counting input, works with our linear measuring system (100KHz).



Versatile

- Version with 2 optocoupler outputs for alarms.
- Version with serial interface RS232/485 for importing and exporting data.
- Measuring function may be programmed for RPM, speed (from elapsed time), machine cycle time, throughput and baking time (time interval), as well as numerous count and stop-watch functions.
- Scaleable display, programmed via 2 keys.

Technical data:

Supply voltage:	16-35 VDC (Normal voltage: 24 VDC) 115/230 VAC ± 12.5%
Display:	15 mm high LED display, 6 digits
Current consumption (DC):	18 V, 120 mA; 24 V, 95 mA; 30 V, 80 mA
Power consumption (AC):	7.5 VA
Sensor power supply:	24 VDC ± 15%, 120 mA (AC and DC supply)
Inputs:	3 inputs (PNP, NPN and Namur) A, B = pulses, C = reset
Max. input frequency:	A, B = 25 kHz, C = 1 kHz
Accuracy:	±1 ppm, ±1 digital
Input level HTL:	Low: 0-3.5 V, High: 9-35 V

Outputs:	
Analogue output: (0.571.012.E90)	0-10 V, -10 - +10 V or 0-20 mA, 4-20 mA
Resolution:	14 bits + sign
Accuracy:	0.1%
Optocoupler output:	5-35 VDC / 150 mA (0.571.012.E00)
Interface:	RS232 and RS485 acc. to ISO 1745 Drivecom Protocol (0.570.012.E05)
Operating temperature:	32 to +113°F (0 to +45°C)
Storage temperature:	-13 to +158°F (-25 to +70°C)
Protection class:	IP65 (front)
EMC:	according to EC EMC directive 89/36/EC
Interface emissions:	EN 50 081-2/EN 55011 class B
Interface resistance:	EN 6100-6-2
Weight:	approx. 200 g

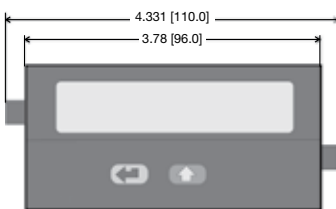
Part Numbers:

Display with 2 outputs:	0.571.011.E00
Display with analog outputs:	0.571.012.E90
Display with serial interface:	0.571.012.E05

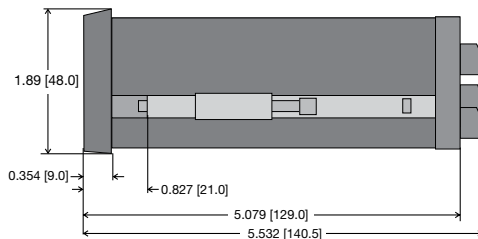
Scope of delivery:

- Display 571
- Gasket
- Mounting kit
- Plug-in screw terminals
- Manual German/English

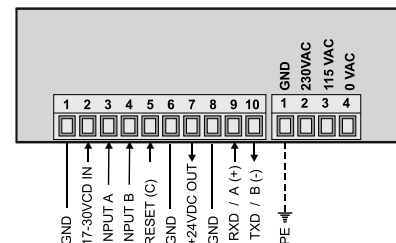
Dimensions:



Panel cut-out: 92 x 45mm

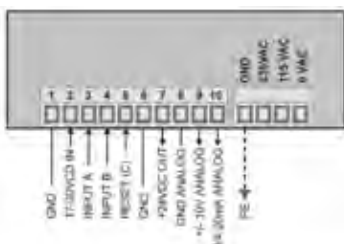


Display with serial interface (0.571.012.E05)

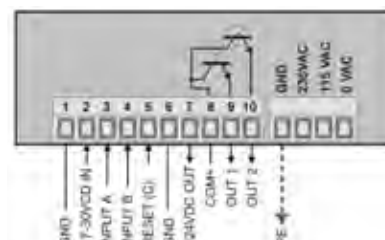


Wiring diagram:

Display with analog output (0.571.012.E90)



Display with 2 optocoupler outputs (0.571.011.E00)



Display type 570

SSI

Reliable

- AC and DC supply voltage in one unit.
- Plug-in screw terminals.
- SSI clock frequency from 100 Hz up to 1 MHz.
- Display and outputs may be adjusted using scale and offset features.
- Large, 6-digit, 15 mm high LED display with adjustable brightness.
- 48 x 96 mm DIN housing, IP65.



Versatile

- Suitable for SSI protocols up to 25 bits.
- Version with 2 optocoupler outputs to work as limit or preset values; also programmable with trail signal.
- Version with scalable analog output, resolution 14 bits, 0-10 V, 10 to +10 V, 0 to 20 mA or 4 to 20 mA.
- Gray or binary code.
- Master or slave mode.
- Versions with serial interface for read the data (RS232/RS485).

Technical data:

Supply voltage:	17-30 VDC, 115/230 VAC ± 12.5%
Display:	15 mm high LED display, 6 digits
Current consumption (DC):	17 V, 109 mA; 24 V, 150 mA; 30 V, 120 mA
Power consumption (AC):	7.5 VA
Sensor power supply:	24 VDC ± 15%, 120 mA
Inputs:	
SSI input frequency range:	100 Hz - 1 MHz
Input reset:	PNP or NPN, programmable 5.1 mA 24 VDC / R _i = 4.7 kOhm
Input level:	Low: 0-2 V, High: 9-35 V
Reset time:	min. 5 ms

Outputs:	
Scalable analog output:	0-10 V, -10 - +10 V or 0-20 mA, 4-20 mA
Resolution:	14 bits + sign
Accuracy:	0.1%
Optocoupler output:	5-35 VDC
Interface:	RS232 and RS485 acc. to ISO 1745 Drivecom Protocol (0.570.012.E05)
Operating temperature:	32 to +113°F (0 to +45°C)
Storage temperature:	-13 to +158°F (-25 to +70°C)
Protection class:	IP65 (front)
EMC:	according to EC EMC directive 89/36/EC
Interface emissions:	EN 50 081-2/EN 55011 class B
Interface resistance:	EN 6100-6-2
Weight:	approx. 200 g

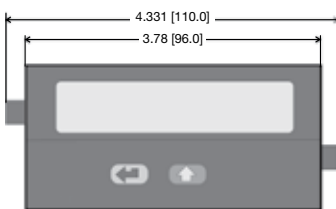
Part Numbers:

Display with 2 outputs:	0.570.011.E00
Display with analog outputs:	0.570.012.E90
Display with serial interface:	0.570.012.E05

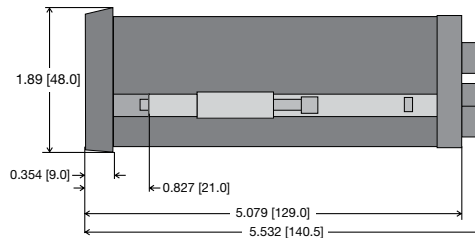
Scope of delivery:

- Display 571
- Gasket
- Mounting kit
- Plug-in screw terminals
- Manual German/English

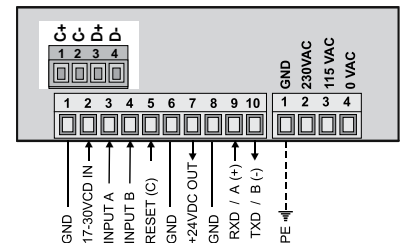
Dimensions:



Panel cut-out: 92 x 45mm

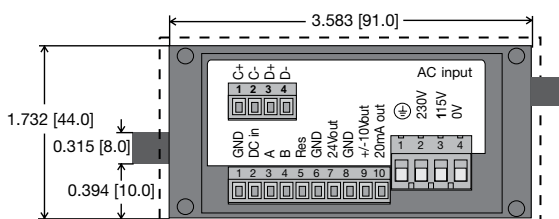


Display with serial interface (0.570.012.E05)

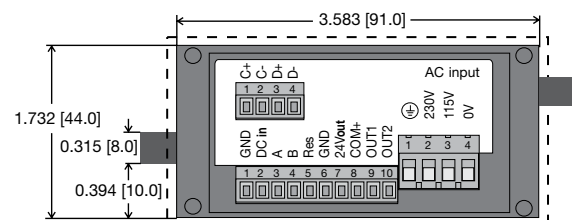


Wiring diagram:

Display with analog output (0.570.012.E90)



Display with 2 optocoupler outputs (0.570.011.E00)



Do not connect A, B; C+, C- = clock signal SSI; D+, D- = data signal SSI

Teflon Covers

Part Number	ID Number	Material
T-CK40-T-FC	A5202	Teflon [®]
T-CK40-D-FC	A5160	Delrin [®]
T-CK40-T-MCC	A5201	Teflon
T-CK40-T-MCB	A9126	Teflon

Inches [mm]

A9126

A5202
A5160

A5201

For use with **CK40** style sensors.

Part Number	ID Number
T-CP40-T-C	A5204

Material: Teflon
Inches [mm]

A5204

For use with **CP40** style sensors.

Part Number	ID Number
T-CP80-T	A5207

Material: Teflon
Inches [mm]

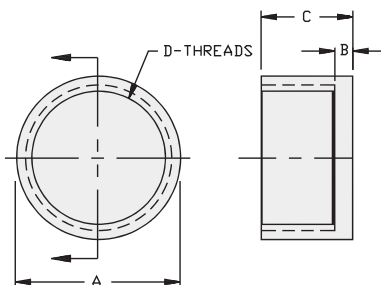
A5207

For use with **CP80** style sensors.

Teflon/Ceramic Covers

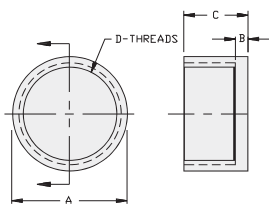
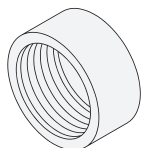
Part Number	ID Number	Barrel Diameter	Dimensions			
			A	B	C	D
CAP 08-PTFE	A3055-1	8 mm Embeddable	.375 [9.5]	0.03 [0.7]	.437 [11.1]	M8x1
CAP 12-PTFE	M69662 00	12 mm Embeddable	0.63 [16.0]	0.03 [0.7]	0.63 [16.0]	M12x1
CAP 18N-PTFE	A3056	18 mm Nonembeddable	0.87 [22.0]	0.04 [1.0]	0.79 [20.0]	M18x1
CAP 18-PTFE	A3055	18 mm Embeddable	0.87 [22.0]	0.04 [1.0]	0.35 [9.0]	M18x1
CAP 30N-PTFE	A3058	30 mm Nonembeddable	1.34 [34.0]	0.05 [1.2]	1.14 [29.0]	M30x1.5
CAP 30-PTFE	A3057	30 mm Embeddable	1.34 [34.0]	0.05 [1.2]	0.35 [9.0]	M30x1.5
CAP 47-PTFE	A3060	47 mm Nonembeddable	2.20 [55.8]	0.06 [1.6]	0.38 [9.7]	PG 36

Material: PTFE
Inches [mm]



For use with metal barrel sensors.

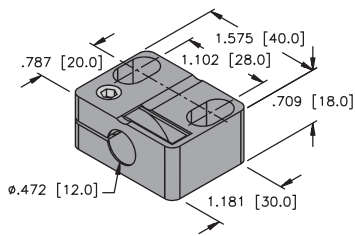
Part Number	ID Number	Dimensions				Max. Temp.	Density	Porosity	Thermal Conductivity (@20°C)
		A	B	C	D				
CAP 12-CER	A2530	0.58 [14.7]	0.035 [.89]	.350 [8.90]	M12x1	4172°F (2300°C)	3.2 oz/in ³ (6 g/cm ³)	Impervious	14 BTU • in/ft ² • m • °F (2 W/m • °K)
CAP 12N-CER	A9129			.600 [15.2]	M12x1				
CAP 18-CER	A2531	0.95 [24.1]	0.045 [1.14]	.350 [8.90]	M18x1				
CAP 18N-CER	A3056-4			.700 17.8	M18x1				
CAP 30-CER	A2532	1.50 [38.1]	0.08 [2.03]	.390 [9.90]	M30x1.5				
CAP 30N-CER	A9137			1.0 [25.4]	M30x1.5				



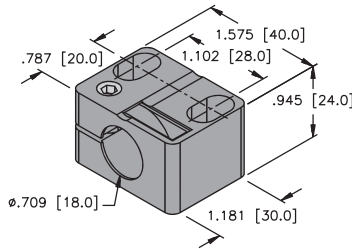
Mounting Clamps

Part Number	ID Number	Barrel Diameter
BST-12N	M6947213	12 mm
BST-18B	M6947214	18 mm
BST-30B	M6947216	30 mm

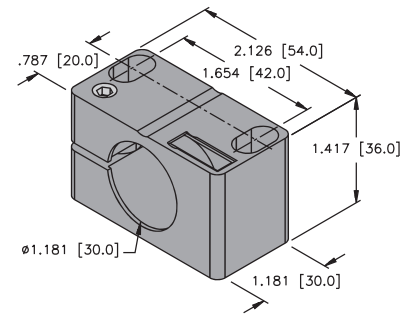
Material: PA 66-6F



BST-12N



BST-18B



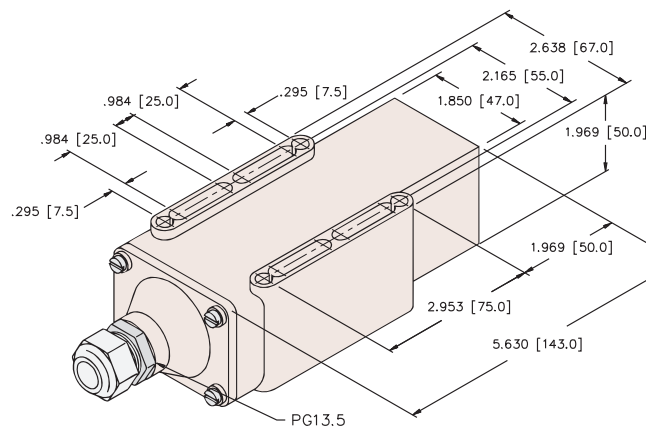
BST-30B

Protective Housing "Wet Suit"

Part Number	ID Number
SG40/2	M6949700

For extreme ambient conditions or long term exposure to elevated temperatures up to 170°C (338°F). Especially resistant to UV-radiation and ozone.
IP 68, NEMA 13

Housing Material: ULTEM 1000
Cover Plate Material: PBT-GF
Cable Gland Material: PVDF
Seal Material: Viton
Inches [mm]



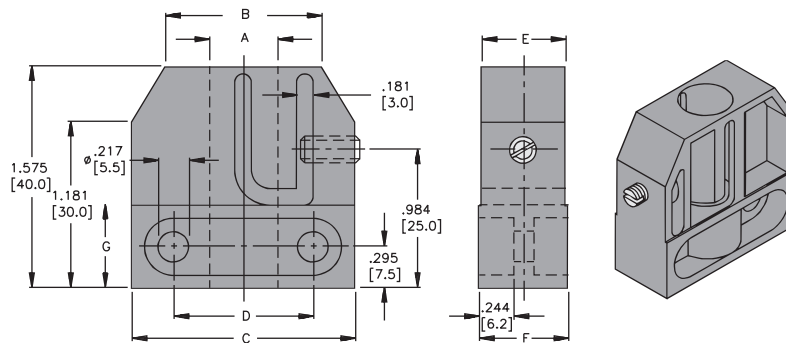
(2) M5x64 MOUNTING BOLTS, WASHERS AND POST INCLUDED.

Recommended cable styles: 16-18 AWG
For use with Limit Switch Style *combiprox*, *multiprox*, and *K40SR* sensors.

Mounting Clamps

Part Number	ID Number	Barrel Diameter	Dimensions						
			A	B	C	D	E	F	G
BS-12	M6947000	12 mm	0.48 [12.2]	1.10 [28.0]	1.57 [40.0]	0.98 [25.0]	0.59 [15.0]	0.63 [16.0]	0.59 [15.0]
BS-18	M6947100	18 mm	0.72 [18.2]	1.30 [33.0]	1.77 [45.0]	1.18 [30.0]	0.83 [21.0]	0.87 [22.0]	0.59 [15.0]

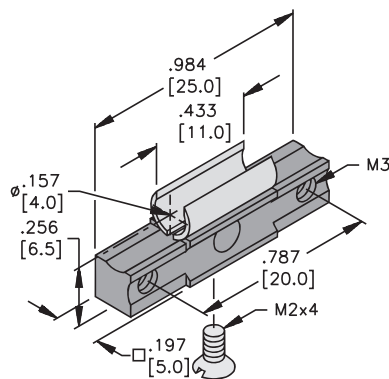
Material: PA 66-GF
Inches [mm]



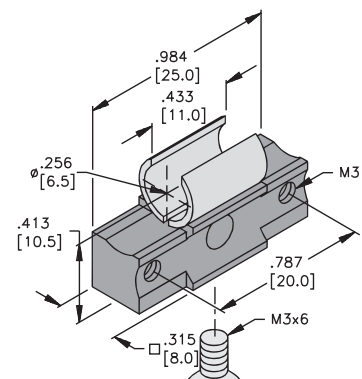
For use with 12 and 18 mm threaded barrel sensors.

Part Number	ID Number	Barrel Diameter
BS 540	S6947500	4.0 mm
BS 865	S6947600	6.5 mm

Block Material: Aluminum
Sleeve Material: Steel
Inches [mm]



BS-540



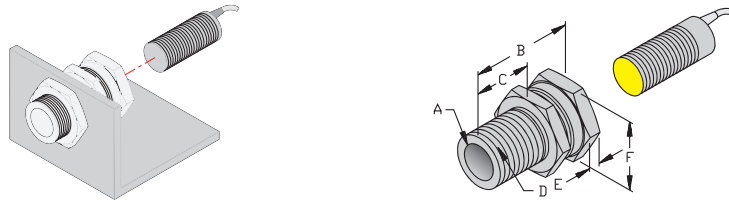
BS-865

For use with H Barrel *picoprox*® sensors.

Quick Mount

Part Number	ID Number	Features	Dimensions					
			A	B	C	D	E	F
QM-08	A2511		0.32 [8.18]	1.28 [32.4]	0.69 [17.5]	M12x1	0.15 [3.85]	0.67 [16.9]
QM-08L	A2512	Ext. Length		1.90 [48.0]	1.34 [34.0]			
QM-08L-T	A9441	Ext. Length, Teflon		1.90 [48.0]	1.34 [34.0]			
QM-12	A2513		0.48 [12.1]	1.34 [33.7]	0.77 [19.5]	M16x1	0.16 [4.01]	0.86 [21.8]
QM-12L	A2514	Ext. Length		1.76 [44.8]	1.18 [30.0]			
QM-12L-T	A2542	Ext. Length, Teflon		1.76 [44.8]	1.18 [30.0]			
QM-18	A2515		0.71 [18.1]	1.52 [38.5]	0.79 [20.0]	M24x1.5	0.19 [4.95]	1.18 [30.0]
QM-18L	A2516	Ext. Length		2.28 [58.0]	1.57 [40.0]			
QM-18L-T	A2543	Ext. Length, Teflon		2.28 [58.0]	1.57 [40.0]			
QM-30	A2517		1.19 [30.1]	1.50 [35.0]	0.79 [20.0]	M36x1.5	0.24 [6.13]	1.61 [41.0]
QM-30L	A2518	Ext. Length		2.28 [58.0]	1.57 [40.0]			
QM-30L-T	A2544	Ext. Length, Teflon		2.28 [58.0]	1.57 [40.0]			

Inches [mm]



Cushion Mount

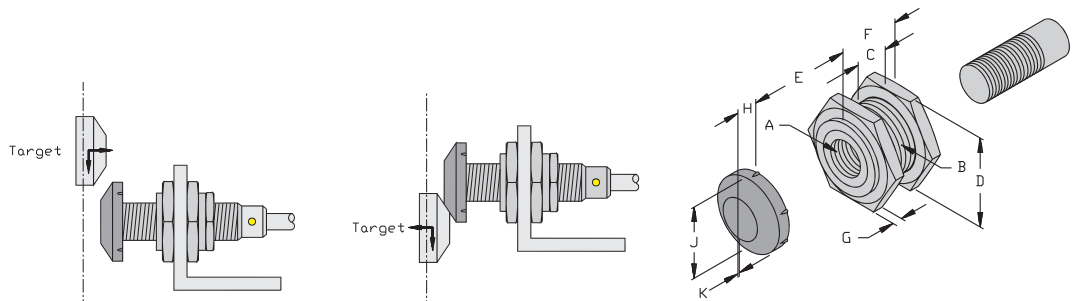
Part Number	ID Number	Dimensions									
		A (INSIDE THREAD)	B (OUTSIDE THREAD)	C (MAX.)	D (Across FLATS)	E (MAXIMUM ALLOWABLE OVERTRAVEL)	F	G	H	J	K
CM-08 CM-08N	A2503 A2504	M8x1	M16x1.5	.433 [11.0]	.875 [22.2]	.395 [10.0]	.750 [19.1]	.155 [3.94]	.200 [5.08]	.600 [15.2]	.0004 [.010]
CM-12 CM-12N	A2505 A2506	M12x1	M22x1.5	.433 [11.0]	1.19 [30.2]	.395 [10.0]	.750 [19.1]	.155 [3.94]	.245 [6.22]	.860 [21.8]	.010 [.250]
CM-18 CM-18N	A2507 A2508	M18x1	M30x1.5	.598 [15.2]	1.38 [35.1]	.395 [10.0]	1.00 [25.4]	0.02 [5.08]	.315 [8.00]	1.18 [30.0]	.001 [.035]
CM-30 CM-30N	A2509 A2510	M30x1.5	M47x1.5	.972 [24.7]	2.05 [52.1]	.591 [15.0]	1.37 [34.9]	0.20 [5.08]	.315 [8.00]	1.75 [44.5]	.035 [.890]

Stainless versions available (*NSS)

Material:

Cap: Plastic

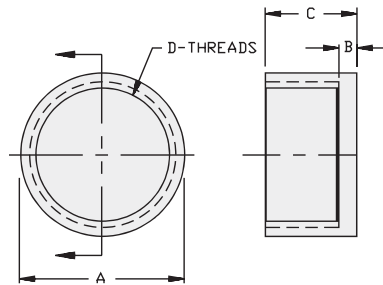
Housing: Anodized aluminum



Teflon/Ceramic Covers

Part Number	ID Number	Barrel Diameter	Dimensions			
			A	B	C	D
CAP 12-PTFE	M69662 00	12 mm Embeddable	0.63 [16.0]	0.03 [0.7]	0.63 [16.0]	M12x1
CAP 18N-PTFE	A3056	18 mm Nonembeddable	0.87 [22.0]	0.04 [1.0]	0.79 [20.0]	M18x1
CAP 18-PTFE	A3055	18 mm Embeddable	0.87 [22.0]	0.04 [1.0]	0.35 [9.0]	M18x1
CAP 30N-PTFE	A3058	30 mm Nonembeddable	1.34 [34.0]	0.05 [1.2]	1.14 [29.0]	M30x1.5
CAP 30-PTFE	A3057	30 mm Embeddable	1.34 [34.0]	0.05 [1.2]	0.35 [9.0]	M30x1.5
CAP 47-PTFE	A3060	47 mm Nonembeddable	2.20 [55.8]	0.06 [1.6]	0.38 [9.7]	PG 36

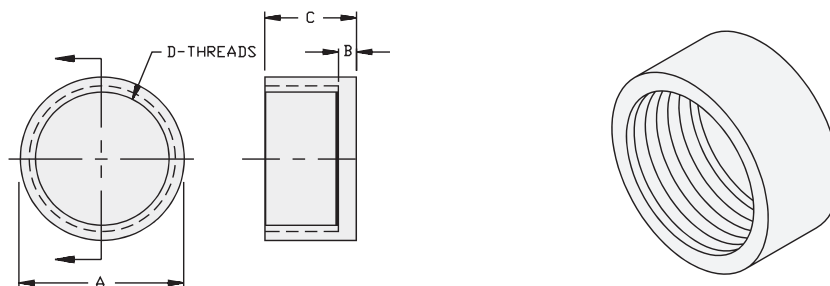
Material: PTFE
 Inches [mm]



For use with metal barrel sensors.

Part Number	ID Number	Dimensions				Max. Temp.	Density	Porosity	Thermal Conductivity (@20°C)
		A	B	C	D				
CAP 12-CER	A2530	0.63 [16.0]	0.04 [1.10]	.352 [8.94]	M12x1	4172°F (2300°C)	3.2 oz/in ³ (6 g/cm ³)	Impervious	14 BTU • in/ft ² • m • °F (2 W/m • °K)
CAP 18-CER	A2531	0.88 [22.3]	0.04 [1.10]	.352 [8.94]	M18x1				
CAP 30-CER	A2532	1.34 [34.0]	0.08 [2.00]	.352 [8.94]	M30x1.5				

Inches [mm]
 Material: Ceramic



For use with embeddable metal barrel sensors.

Cords - Acc

Part Number	ID Number	A	B	C	D
TSG-12	A2500	1.75 [44.5]	1.25 [31.8]	12 mm (threaded or non-threaded)	0.37-0.81 [9.40-20.6]
TSG-18	A2501	1.90 [48.3]	1.48 [37.5]	18 mm (threaded or non-threaded)	0.63-1.12 [16.0-28.4]
TSG-30	A2502	3.45 [87.6]	2.00 [50.8]	30 mm (threaded or non-threaded)	1.00-1.75 [25.4-44.5]

Inches [mm]

Protective Housing "Wet Suit"

Part Number	ID Number
SG40/2	M6949700
<p>For extreme ambient conditions or long term exposure to elevated temperatures up to 170°C (338°F). Especially resistant to UV-radiation and ozone. IP 68, NEMA 13</p> <p>Housing Material: ULTEM 1000 Cover Plate Material: PBT-GF Cable Gland Material: PVDF Seal Material: Viton</p> <p>Inches [mm]</p>	
<p>(2) M5x64 MOUNTING BOLTS, WASHERS AND POST INCLUDED.</p>	
<p>Recommended cable styles: 16-18 AWG For use with Limit Switch Style <i>combiprox</i>, <i>multiprox</i>, <i>C*prox</i> and <i>K40SR</i> sensors.</p>	

Sensing Gap Gages

Part Number	ID Number	Barrel Diameter	Dimensions			
			A	B	C	D
SG-Bi0.8-0.64	A5300	5 mm	0.197 [5.0]	0.025 [0.64]	0.378 [9.6]	0.252 [6.4]
SG-Bi 1-0.81	A5301	8 mm	0.315 [8.0]	0.032 [0.81]	0.378 [9.6]	0.374 [9.5]
SG-Bi 2-1.62	A5302	12 mm	0.472 [12.0]	0.064 [1.62]	0.500 [12.7]	0.630 [16.0]
SG-Bi 5-4.05	A5303	18 mm	0.709 [18.0]	0.160 [4.05]	0.500 [12.7]	0.878 [22.3]
SG-Bi10-8.1	A5304	30 mm	1.181 [30.0]	0.319 [8.1]	0.752 [19.1]	1.492 [37.9]
SG-Bi15-12.15	A5305	30 mm	1.181 [30.0]	0.478 [12.15]	0.748 [19.0]	1.492 [37.9]
Use above Gap Gages for embeddable (Shielded) sensors.						
SG-Ni 2-1.62	A5306	8 mm	0.315 [8.0]	0.064 [1.62]	0.347 [9.5]	0.378 [9.6]
SG-Ni 4-MG12-3.24	A5307	12 mm	0.472 [12.0]	0.128 [3.24]	0.528 [13.4]	0.626 [15.9]
SG-Ni 4-S12-3.24	A5308	12 mm	0.472 [12.0]	0.128 [3.24]	0.500 [12.7]	0.626 [15.9]
SG-Ni 5-4.05	A5309	12 mm	0.472 [12.0]	0.160 [4.05]	0.500 [12.7]	0.626 [15.9]
SG-Ni 8-6.48	A5310	18 mm	0.709 [18.0]	0.255 [6.48]	0.500 [12.7]	0.878 [22.3]
SG-Ni10-MG18-8.1	A5311	18 mm	0.709 [18.0]	0.319 [8.1]	0.500 [12.7]	0.878 [22.3]
SG-Ni10-P18-8.1	A5312	18 mm	0.709 [18.0]	0.319 [8.1]	0.756 [19.2]	0.752 [19.1]
SG-Ni15-MG30-12.15	A5313	30 mm	1.181 [30.0]	0.478 [12.15]	1.063 [27.0]	1.240 [31.5]
Use above Gap Gages for non-embeddable (Nonshielded) sensors.						
Material: White Delrin Inches [mm]						
