

MINIATURE TEMPERATURE TRANSMITTERS PRODUCT OVERVIEW

WHAT ARE MINIATURE TEMPERATURE TRANSMITTERS?

Miniature temperature transmitters that include an integrated M12 connection. The transmitters utilize the same Pt-100 technology as TURCK's other temperature products with a pre-scaled 4-20 mA output.

WHY CHOOSE TURCK'S TEMPERATURE TRANSMITTERS?

The probes have a convenient M12 **eurofast**® connection and do not require special cables.

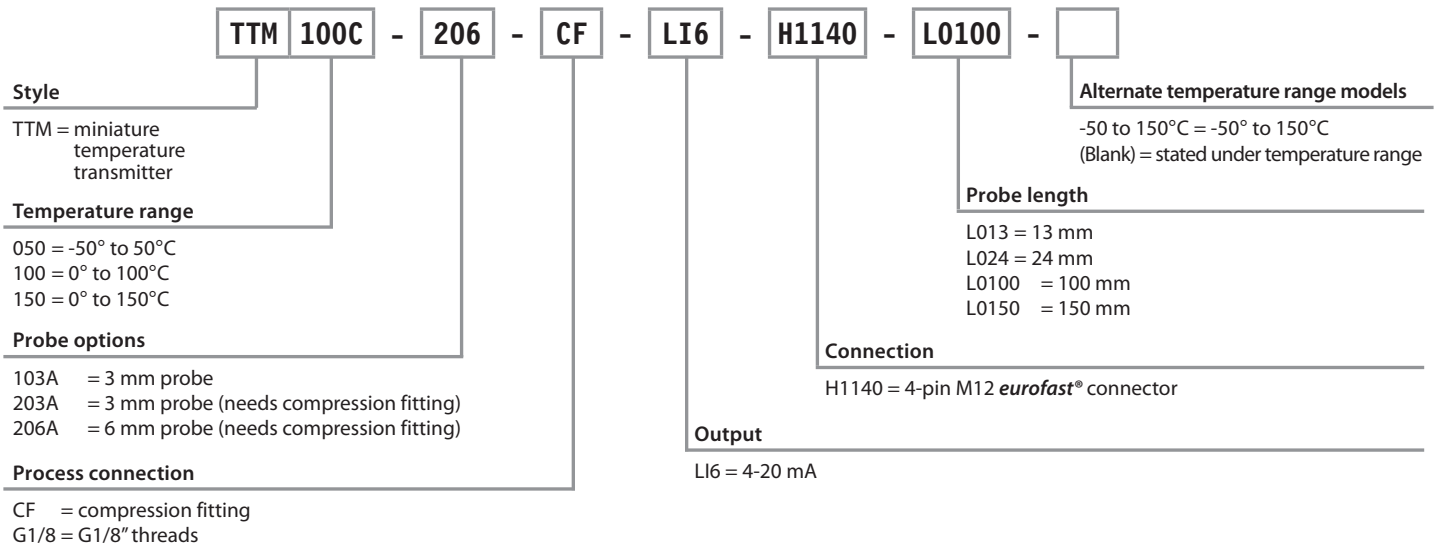
- Available in four temperature ranges: 0-100°C, -50-50°C, 0 to 150 degrees°C, and -50-150°C.

WHERE CAN I USE TURCK'S TEMPERATURE TRANSMITTERS?

- OEM applications
- Hydraulics
- Cooling lines
- Lubrication



Miniature Temperature Transmitter Part Number Key



TURCK

Temperature Instrumentation

TTM - Miniature Temperature Transmitters

- 4-20 mA output
- Two wire loop power
- IP67



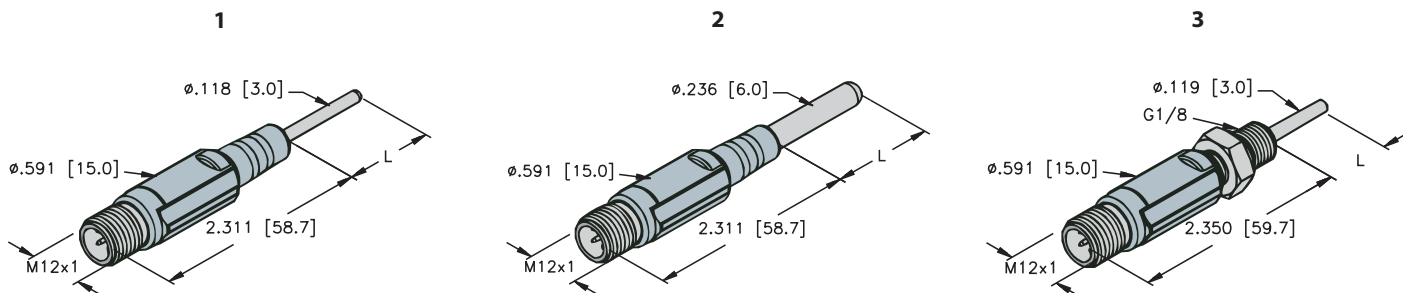
Part Number	Temperature Range (°C)	Process Connection	Probe Length (mm)	Drawing
TTM100C-203A-CF-LI6-H1140-L100	0-100	Compression Fitting	100	1
TTM150C-203A-CF-LI6-H1140-L100	0-150	Compression Fitting	100	1
TTM150C-203A-CF-LI6-H1140-L100-50...150°C	-50-150	Compression Fitting	100	1
TTM050C-203A-CF-LI6-H1140-L100-50...50°C	-50-50	Compression Fitting	100	1
TTM100C-206A-CF-LI6-H1140-L100	0-100	Compression Fitting	100	2
TTM150C-206A-CF-LI6-H1140-L100	0-150	Compression Fitting	100	2
TTM150C-206A-CF-LI6-H1140-L100-50...150°C	-50-150	Compression Fitting	100	2
TTM050C-206A-CF-LI6-H1140-L100-50...50°C	-50-50	Compression Fitting	100	2
TTM100C-203A-CF-LI6-H1140-L150	0-100	Compression Fitting	150	1
TTM150C-203A-CF-LI6-H1140-L150	0-150	Compression Fitting	150	1
TTM150C-203A-CF-LI6-H1140-L150-50...150°C	-50-150	Compression Fitting	150	1
TTM050C-203A-CF-LI6-H1140-L150-50...50°C	-50-50	Compression Fitting	150	1
TTM100C-206A-CF-LI6-H1140-L150	0-100	Compression Fitting	150	2
TTM150C-206A-CF-LI6-H1140-L150	0-150	Compression Fitting	150	2
TTM150C-206A-CF-LI6-H1140-L150-50...150°C	-50-150	Compression Fitting	150	2
TTM050C-206A-CF-LI6-H1140-L150-50...50°C	-50-50	Compression Fitting	150	2
TTM100C-103A-G1/8-LI6-H1140-L013	0-100	G 1/8"	13	3
TTM050C-103A-G1/8-LI6-H1140-L013-50...50°C	-50-50	G 1/8"	13	3
TTM100C-103A-G1/8-LI6-H1140-L024	0-100	G 1/8"	24	3
TTM050C-103A-G1/8-LI6-H1140-L024-50...50°C	-50-50	G 1/8"	24	3

Temperature Instrumentation

Specifications

Electrical	
Operating Voltage	10-24 VDC
No-load current	≤20 mA
Current Output	4-20 mA
Short-circuit Protection	Yes
Reverse Polarity Protection	Yes
Environmental	
Accuracy (Lin. + Hys. + Rep.)	< ± 0.1% of final value BFSL
Accuracy	Class A
Ambient Temperature	-40 to +80 °C
Storage Temperature	-40 to +80 °C
Measuring Element	Pt-1000 Platinum measuring element DIN EN 60751
Mechanical	
Sensor Material	Stainless Steel, AISI 316L
Pressure Resistance	100 bar
Electrical Connection	Connectors, M12x1

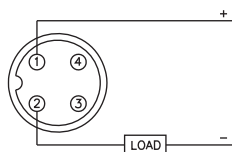
Drawings



L = Probe length, see table on previous page.

Wiring Diagram

Wiring Diagram



Mating cordset:
RK 4T-*