

TURCK

Temperature Sensors



Thermowell Part Number Key

THW - 3 - G1/8 - A4 - L013

Thermowell

Probe Diameter

3 = 3 mm probe diameter
6 = 6 mm probe diameter

Process Connection

G1/8 = G1/8" male thread
N1/8 = 1/8" NPT male thread
G1/4 = G1/4" male thread
N1/4 = 1/4" NPT male thread
G1/2 = G1/2" male thread
N1/2 = 1/2" NPT male thread
TRI3/4 = 3/4" tri-clamp
DN25K = DN25 hygienic fitting thread DIN 11851
UNI25 = Universal weld Ø25 mm

Insertion Depth

Material

A4 = Stainless steel AISI316L



Compression Fittings Part Number Key

CF - M - 3 - G1/8 - A4

Compression Fitting

Compression Ring Material

M = AISI316L
P = PTFE

Probe Diameter

3 = 3 mm outer diameter
6 = 6 mm outer diameter

Material

A4 = Stainless steel AISI316L

Process Connection

G1/8 = G1/8" male thread
N1/8 = 1/8" NPT male thread
G1/4 = G1/4" male thread
N1/4 = 1/4" NPT male thread
N1/2 = 1/2" NPT male thread



Thermowells

Housing Style	Part Number	ID Number	Process Connection	Length (mm)	Compatible Probe Diameter	Pressure Rating (psi)
Thermowell, 1/2" Male NPT 	THW-3-N1/2-A4-L050	M9910447	1/2" NPT	50	3 mm	5800
	THW-3-N1/2-A4-L100	M9910448	1/2" NPT	100	3 mm	5800
	THW-3-N1/2-A4-L150	M9910449	1/2" NPT	150	3 mm	5800
	THW-3-N1/2-A4-L250	M9910450	1/2" NPT	250	3 mm	5800
Thermowell, 1/4" Male NPT 	THW-3-N1/4-A4-L050	M9910416	1/4" NPT	50	3 mm	5800
	THW-3-N1/4-A4-L100	M9910420	1/4" NPT	100	3 mm	5800
	THW-3-N1/4-A4-L150	M9910424	1/4" NPT	150	3 mm	5800
	THW-3-N1/4-A4-L200	M9910428	1/4" NPT	200	3 mm	5800
Thermowell, 1/8" Male NPT 	THW-3-N1/8-A4-L050	M9910414	1/8" NPT	50	3 mm	5800
	THW-3-N1/8-A4-L100	M9910418	1/8" NPT	100	3 mm	5800
	THW-3-N1/8-A4-L150	M9910422	1/8" NPT	150	3 mm	5800
	THW-3-N1/8-A4-L200	M9910426	1/8" NPT	200	3 mm	5800
Thermowell, 3/4" Tri-Clamp 	THW-3-TRI 3/4-A4-L035	M9910433	3/4" Tri-Clamp	35	3 mm	580
	THW-3-TRI 3/4-A4-L050	M9910451	3/4" Tri-Clamp	50	3 mm	580
	THW-3-TRI 3/4-A4-L100	M9910452	3/4" Tri-Clamp	100	3 mm	580
	THW-3-TRI 3/4-A4-L150	M9910453	3/4" Tri-Clamp	150	3 mm	580
	THW-3-TRI 3/4-A4-L250	M9910454	3/4" Tri-Clamp	250	3 mm	580
Thermowell, Universal Weld 	THW-3-UNI 25-A4-L035	M9910502	Weld	35	3 mm	1450
	THW-3-UNI 25-A4-L100	M9910503	Weld	100	3 mm	1450

TEMPERATURE

Note: Material is AISI 316L/1.4404



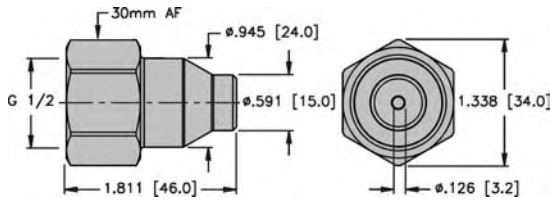
Thermowells

Housing Style	Part Number	ID Number	Process Connection	Length (mm)	Compatible Probe Diameter	Pressure Rating (psi)
Thermowell, 1/2" Male NPT 	THW-6-N1/2-A4-L050	M9910463	1/2" NPT	50	6 mm	5800
	THW-6-N1/2-A4-L100	M9910464	1/2" NPT	100	6 mm	5800
	THW-6-N1/2-A4-L150	M9910465	1/2" NPT	150	6 mm	5800
	THW-6-N1/2-A4-L250	M9910466	1/2" NPT	250	6 mm	5800
Thermowell, 3/4" Tri-Clamp 	THW-6-TRI 3/4-A4-L050	M9910467	3/4" Tri-Clamp	50	6 mm	580
	THW-6-TRI 3/4-A4-L100	M9910468	3/4" Tri-Clamp	100	6 mm	580
	THW-6-TRI 3/4-A4-L150	M9910469	3/4" Tri-Clamp	150	6 mm	580
	THW-6-TRI 3/4-A4-L250	M9910470	3/4" Tri-Clamp	250	6 mm	580

Note: Material is AISI 316L/1.4404

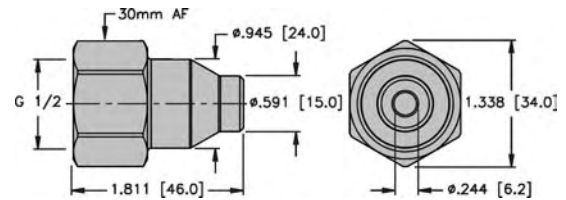
Stabilizer Accessories for Direct Mounting

Stabilizer for 3 mm Temperature Probe



STA-3
(M6835024)

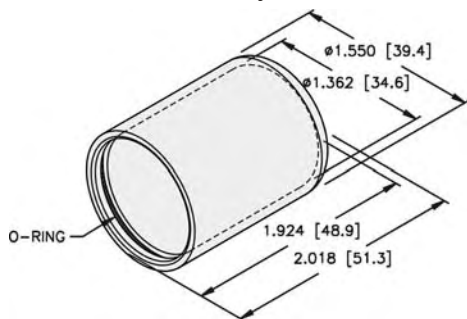
Stabilizer for 6 mm Temperature Probe



STA-6
(M6835023)

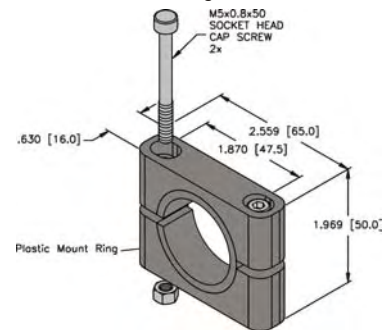
Accessories

Harsh Duty Cover



PTS-COVER
(A9350)

Mounting Bracket



PTS-MB
(A9422)



Compression Fittings

Housing Style	Part Number	ID Number	Compatible Probe Diameter	Compression Fitting	Temperature Range	Pressure Rating (psi)
Compression Fitting, 1/4" Male NPT 	CF-M-3-N1/4-A4	M9910408	3 mm	Metal	350°C (662°F)	580
	CF-P-3-N1/4-A4	M9910412	3 mm	PTFE	100°C (212°F)	87
Compression Fitting, 1/8" Male NPT 	CF-M-3-N1/8-A4	M9910406	3 mm	Metal	350°C (662°F)	580
	CF-P-3-N1/8-A4	M9910410	3 mm	PTFE	100°C (212°F)	87
Compression Fitting, 1/4" Male NPT 	CF-M-6-N1/4-A4	M9910484	6 mm	Metal	350°C (662°F)	580
	CF-P-6-N1/4-A4	M9910486	6 mm	PTFE	100°C (212°F)	87
Compression Fitting, 1/2" Male NPT 	CF-M-6-N1/2-A4	A0950	6 mm	Metal	350°C (662°F)	580

Note: Material is AISI 316L/1.4404

Mounts in Compact Spaces
 With a housing diameter of 34 mm,
 multiple temperature sensors can fit
 in tight spaces.



TEMPERATURE