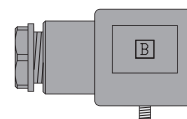




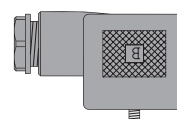
**V\*fast® Valve Connectors, Field Wireable**

- Convert Hard Wiring Into Quick Disconnect
- Facilitate Field Replacements



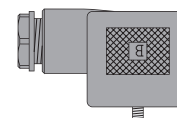
**"A" Style Valve Connector**

Application	Specifications	Straight Wired
"A" Style Valve Connector	0-220 VAC/DC, 10 A	VAS 3-AW



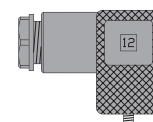
**"B" Style Valve Connector**

Application	Specifications	Straight Wired
"B" Style Valve Connector	0-220 VAC/DC, 10 A	VBS 2-AW



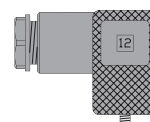
**"I" Style Valve Connector**

Application	Specifications	Straight Wired
"I" Style Valve Connector	0-220 VAC/DC, 10 A	VIS 2-AW



**"C" (8 mm) Style Valve Connector**

Application	Specifications	Straight Wired
"C" (8 mm) Style Valve Connector	0-220 VAC/DC, 10 A	TC8S 2-AW



**"C" (9.4 mm) Style Valve Connector**

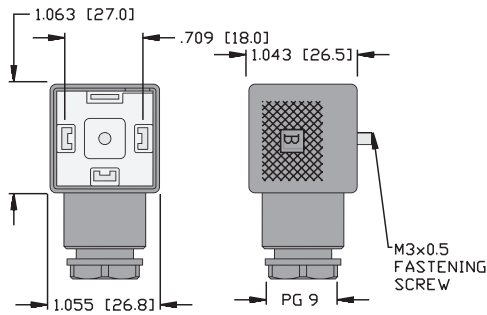
Application	Specifications	Straight Wired
"C" (9.4 mm) Style Valve Connector	0-220 VAC/DC, 10 A	TC9S 2-AW

## Specifications

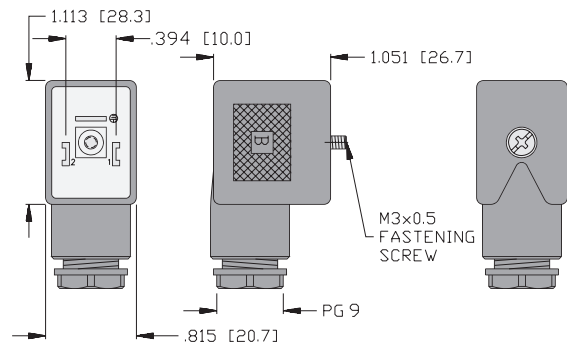
<b>Housing:</b>	Nylon, black.
<b>Connector:</b>	Nylon, black.
<b>Gasket:</b>	Nitrile.
<b>Contacts:</b>	Nickel plated brass.
<b>Terminals:</b>	Screw terminals, conductors to 14 AWG.
<b>Cable Gland:</b>	PG 9 accepts cable diameter 6-8 mm. PG 7 accepts cable diameter 4-6 mm.
<b>Temperature:</b>	-25°C to +90°C (-13°F to +194°F).
<b>Protection Class:</b>	NEMA 4,6P and IEC IP 65.

## Dimensions

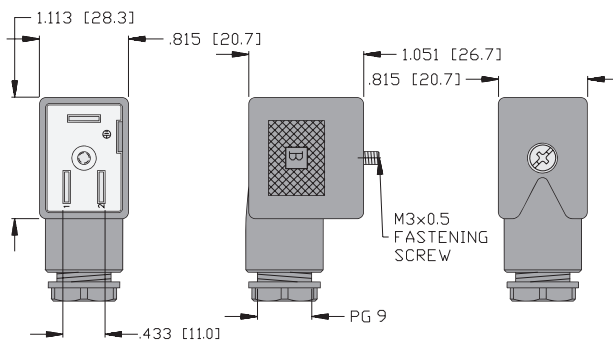
VAS 3-AW



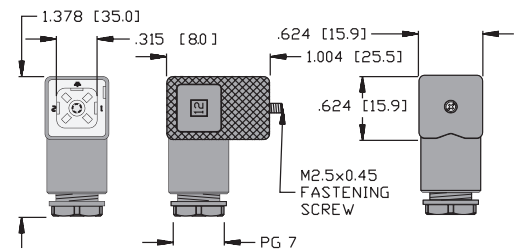
VBS 2-AW



VIS 2-AW



TC8S 2-AW



TC9S 2-AW

