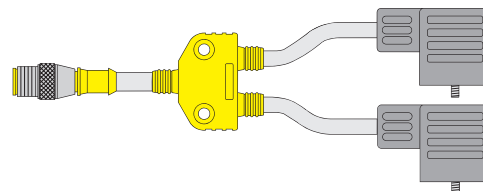




**V\*fast® eurofast® 2 Branch Molded Junctions with Valve Plugs**

- Combine 2 Valve Plugs into 1 eurofast
- For Use w/eurofast J-boxes w/2 Signals/Port
- Available with All Valve Plug Styles (A, B, I and C)

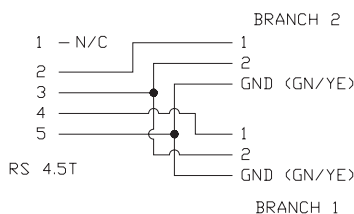


**4-wire Series-Wired VB2**

Application	Specifications	Wiring Diagram	Part Number
Combine 2 valve plugs into 1 cable. For use with 2 signal / port junction boxes. "A" style (18 mm) valve plugs.	220 VAC/DC 4.0 A RS 4.5T = Grey PVC, 5.2 mm OD, 5/22 AWG Valve plug = Grey PVC, 5.2 mm OD 3/20 AWG	Diagram A	VB2-RS 4.5T-*/2VAS 22-A528-*/*
Combine 2 valve plugs into 1 cable. For use with 2 signal / port junction boxes. "B" style (10 mm) valve plugs.	220 VAC/DC 4.0 A RS 4.5T = Grey PVC 5.2 mm OD, 5/22 AWG Valve plug = Grey PVC, 5.2 mm OD 3/20 AWG	Diagram A	VB2-RS 4.5T-*/2VBS 2-A528-*/*
Combine 2 valve plugs into 1 cable. For use with 2 signal / port junction boxes. "I" style (11 mm) valve plugs.	220 VAC/DC 4.0 A RS 4.5T = Grey PVC, 5.2 mm OD, 5/22 AWG Valve plug = Grey PVC, 5.2 mm OD 3/20 AWG	Diagram A	VB2-RS 4.5T-*/2VIS 2-A528-*/*
Combine 2 valve plugs into 1 cable. For use with 2 signal / port junction boxes. "C" style (8 mm) valve plugs.	220 VAC/DC 4.0 A RS 4.5T = Grey PVC, 5.2 mm OD, 5/22 AWG Valve plug = Grey PVC, 5.2 mm OD 3/20 AWG	Diagram A	VB2-RS 4.5T-*/2TC8S 2-A528-*/*
Combine 2 valve plugs into 1 cable. For use with 2 signal / port junction boxes. "C" style (9.4 mm) valve plugs.	220 VAC/DC 4.0 A RS 4.5T = Grey PVC, 5.2 mm OD, 5/22 AWG Valve plug = Grey PVC, 5.2 mm OD 3/20 AWG	Diagram A	VB2-RS 4.5T-*/2TC9S 2-A528-*/*

\* Length in meters

**Diagram A**



## Specifications

<b>Junction Body:</b>	Oil resistant Yellow polyurethane.
<b>Connector:</b>	Oil resistant polyurethane body material, Nylon or PUR contact carrier.
<b>Contacts:</b>	Gold plated brass ( <b>euromast</b> ). Silver plated copper alloy ( <b>V*fast</b> ).
<b>Coupling Nuts:</b>	Nickel plated brass.
<b>Cable:</b>	See table.
<b>Temperature:</b>	-40°C to +105°C (-40°F to +221°F) - all PVC cable; -40°C to +80°C (-40°F to +176°F) - with PUR cable.
<b>Protection:</b>	NEMA 1,3,4,6P and IEC IP 68.

**Cable Length:** Trunk - nominal 1 meter. Branches - nominal 0.3 meters. Other lengths available by request - consult factory.

**Cable Options:** Other jackets available by request - consult factory.

**Valve Options:** Available w/led or led+mov, consult factory.

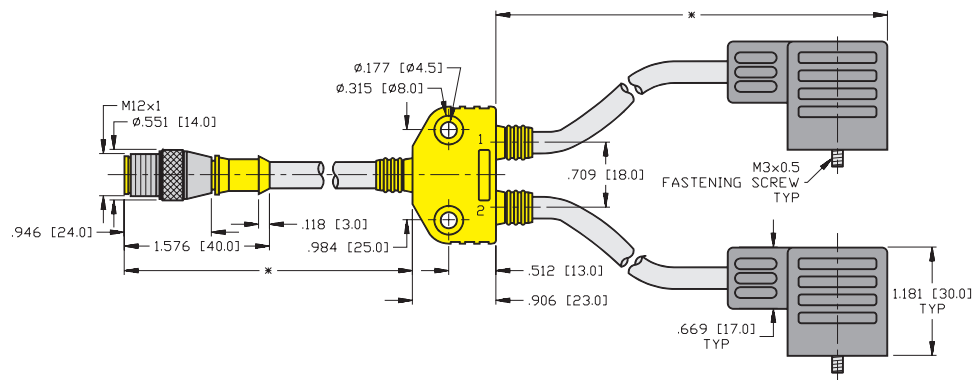
**euromast Options:** Stainless steel coupling nut add "V" to part number (RS .. to RSV ..).

Nylon coupling nut add "K" to part number (RS .. to RSK ..).

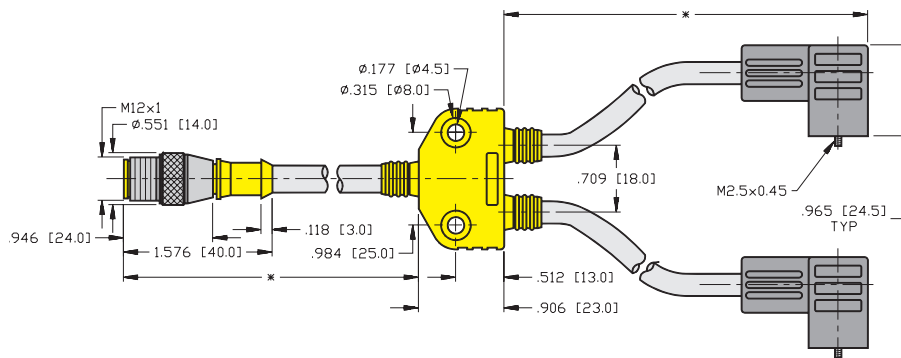
Right angle connectors, change part number (RS .. to WS..).

## Dimensions

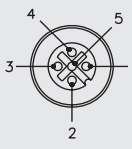
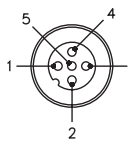
VB2-RS 4.5T-\*/2V .. S 2 .. -A528-\*/\*



VB2-RS 4.5T-\*/2TC .. S 2-A528-\*/\*



## Pinouts

Female	Male
	
5-pin	5-pin