

ACCESSORIES



A variety of accessories are available to help protect sensors from weld splatter and physical damage.

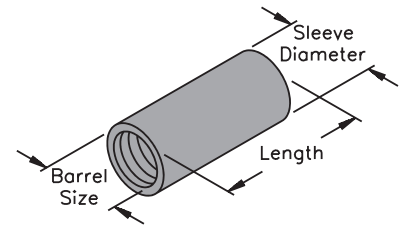
- Cushion mount accessory protects sensor when used as an end stop
- Teflon and ceramic caps protect the sensor face from weld splatter
- **armorguard**[®] sleeves protect against physical abuse
- Teflon coated quick mount allow for quick change mounting

TURCK

Sensor Accessories

armorguard[®] Sleeves

Part Number	ID Number	Barrel Size	Sleeve Diameter	Length
MBS-08TS 7MM	A0835	M8x1	Ø0.48 [12.1]	0.28 [7.0]
MBS-08TS 15MM	A0835-01			0.59 [15.0]
MBS-12TS 15MM	A3152-04	M12x1	Ø0.61 [15.6]	0.59 [15.0]
MBS-12TS 35MM	A3152-01			1.38 [35.0]
MBS-12TS 45MM	A3152-02			1.77 [45.0]
MBS-12TS 50MM	A3152-03			1.97 [50.0]
MBS-18TS 7MM	A0837			M18x1
MBS-18TS 15MM	A3143-03	0.59 [15.0]		
MBS-18TS 35MM	A3143-01	1.38 [35.0]		
MBS-18TS 45MM	A3143-02	1.77 [45.0]		
MBS-18TS 50MM	A3143	1.97 [50.0]		
MBS-30TS 7MM	A9123	M30x1	Ø1.32 [33.6]	0.28 [7.0]
MBS-30TS 15MM	A9124			0.59 [15.0]

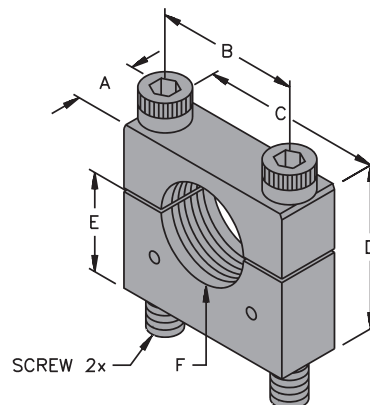


Inches [mm]

armorguard[®] Mounting Bracket

Part Number	ID Number	Barrel Diameter	Dimensions						
			A	B	C	D	E	F	Screw
BS-TS12	A3152	12 mm	0.50 [12.7]	0.78 [20.0]	1.25 [31.8]	1.35 [34.3]	0.81 [20.5]	Ø0.61 [15.5]	10x24x1.75
BS-TS18	A3076	18 mm	0.50 [12.7]	1.81 [30.0]	1.50 [38.1]	1.35 [34.3]	0.81 [20.5]	Ø0.85 [21.5]	1/4-20UNC

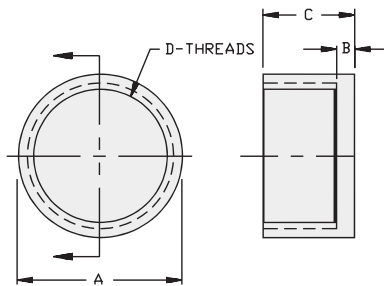
Inches [mm]



Teflon/Ceramic Covers

Part Number	ID Number	Barrel Diameter	Dimensions			
			A	B	C	D
CAP 08-PTFE	A3055-1	8 mm Embeddable	0.37 [9.5]	0.03 [0.7]	0.44 [11.1]	M8x1
CAP 12-PTFE*	M69662 00	12 mm Embeddable	0.63 [16.0]	0.03 [0.7]	0.63 [16.0]	M12x1
CAP 18N-PTFE*	A3056	18 mm Nonembeddable	0.87 [22.0]	0.04 [1.0]	0.79 [20.0]	M18x1
CAP 18-PTFE	A3055	18 mm Embeddable	0.87 [22.0]	0.04 [1.0]	0.35 [9.0]	M18x1
CAP 30N-PTFE	A3058	30 mm Nonembeddable	1.34 [34.0]	0.05 [1.2]	1.14 [29.0]	M30x1.5
CAP 30-PTFE	A3057	30 mm Embeddable	1.34 [34.0]	0.05 [1.2]	0.35 [9.0]	M30x1.5
CAP 47-PTFE	A3060	47 mm Embeddable	2.20 [55.8]	0.06 [1.6]	0.38 [9.7]	PG 36

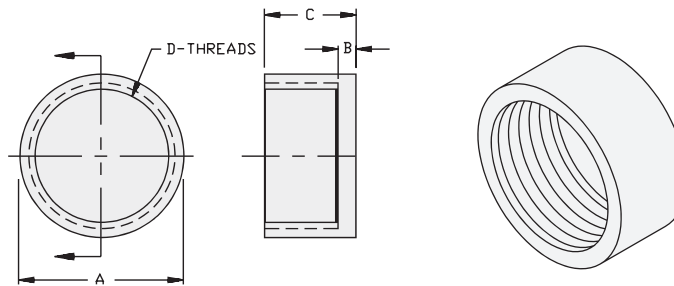
Material: PTFE
Inches [mm]



For use with metal barrel sensors. * Other dimensions available, please consult factory.

Part Number	ID Number	Dimensions				Max. Temp.	Density	Porosity	Thermal Conductivity (@20°C)
		A	B	C	D				
CAP 12-CER	A2530	0.63 [16.0]	0.04 [1.10]	.352 [8.94]	M12x1	4172°F (2300°C)	3.2 oz/in ³ (6 g/cm ³)	Impervious	14 BTU • in/ft ² • m • °F (2 W/m • °K)
CAP 18-CER	A2531	0.88 [22.3]	0.04 [1.10]	.352 [8.94]	M18x1				
CAP 30-CER	A2532	1.34 [34.0]	0.08 [2.00]	.352 [8.94]	M30x1.5				

Inches [mm]
Material: Ceramic



For use with embeddable metal barrel sensors. Longer sleeves available, please consult factory.

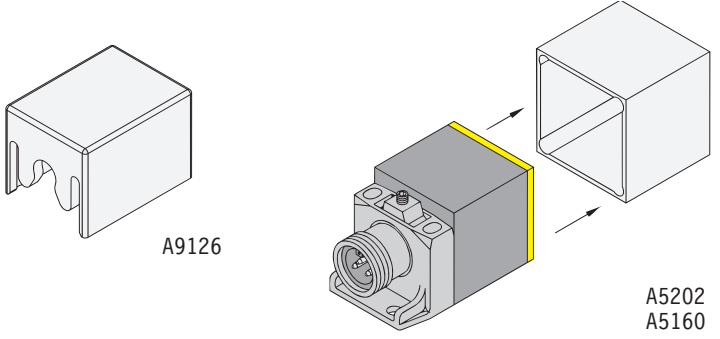
TURCK

Sensor Accessories

CK40 Teflon Covers

Part Number	ID Number	Material
T-CK40-T-FC	A5202	Teflon
T-CK40-D-FC	A5160	Delrin
T-CK40-T-MCC	A5201	Teflon
T-CK40-T-MCB	A9126	Teflon

Inches [mm]

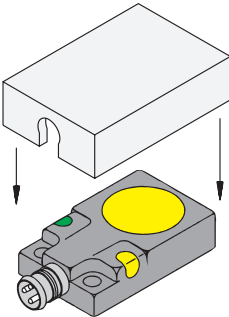


For use with **CK40** style sensors.

QPak Teflon Covers

Part Number	ID Number
T-Q08-T-MCC	A5155
T-08-D-MC-WG*	A5153
T-Q14-T-MCC	A5154
T-Q20-T-MCC	A5156

Material: Teflon
Inches [mm]
* Cover coated with **weldguard**® laminate.



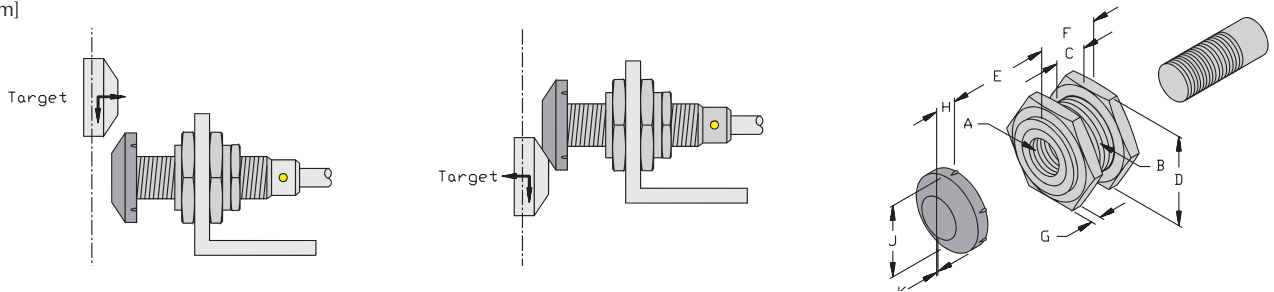
For use with **QPak** style sensors.

Other dimensions available, please consult factory.

Cushion Mount

Part Number	ID Number	Dimensions									
		A (Inside Thread)	B (Outside Thread)	C (Max.)	D (Across Flats)	E (Maximum Allowable Overtravel)	F	G	H	J	K
CM-08 CM-08N	A2503 A2504	M8x1	M16x1.5	.433 [11.0]	.875 [22.2]	.395 [10.0]	.750 [19.1]	.155 [3.94]	.200 [5.08]	.600 [15.2]	.0004 [.010]
CM-12 CM-12N	A2505 A2506	M12x1	M22x1.5	.433 [11.0]	1.19 [30.2]	.395 [10.0]	.750 [19.1]	.155 [3.94]	.245 [6.22]	.860 [21.8]	.010 [.250]
CM-18 CM-18N	A2507 A2508	M18x1	M30x1.5	.598 [15.2]	1.38 [35.1]	.395 [10.0]	1.00 [25.4]	0.02 [5.08]	.315 [8.00]	1.18 [30.0]	.001 [.035]
CM-30 CM-30N	A2509 A2510	M30x1.5	M47x1.5	.972 [24.7]	2.05 [52.1]	.591 [15.0]	1.37 [34.9]	0.20 [5.08]	.315 [8.00]	1.75 [44.5]	.035 [.890]

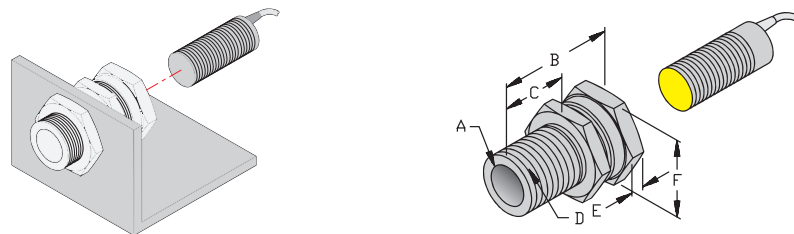
Inches [mm]



Quick Mount, Teflon Coated

Part Number	ID Number	Dimensions					
		A	B	C	D	E	F
QM-12L-T	A2542	0.48 [12.1]	1.76 [44.8]	1.18 [30.0]	M16x1	0.16 [4.01]	0.86 [21.8]
QM-12-T	A2545	0.48 [12.1]	1.33 [33.7]	0.77 [19.5]	M16x1	0.16 [4.01]	0.86 [21.8]
QM-18L-T	A2543	0.71 [18.1]	2.28 [58.0]	1.57 [40.0]	M24x1.5	0.19 [4.95]	1.18 [30.0]
QM-18-T	A2546	0.71 [18.1]	1.51 [38.5]	0.79 [20.0]	M24x1.5	0.19 [4.95]	1.18 [30.0]
QM-30L-T	A2544	1.19 [30.1]	2.28 [58.0]	0.79 [20.0]	M36x1.5	0.24 [6.13]	1.61 [41.0]

Inches [mm]



Sensor Accessories