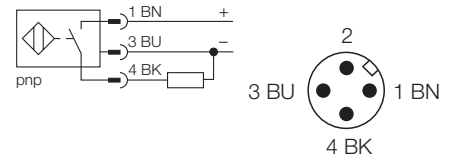


- rectangular, height 12 mm
- side active face
- plastic, PBT-GF30-V0
- factor 1 for all metals
- extended switching distance
- degree of protection IP68
- magnetic field immune
- directly mountable on metal
- 3-wire DC, 10..0.30 VDC
- normally open, pnp output
- connector, M12 x 1

Wiring diagram

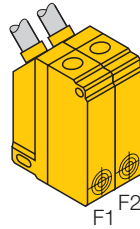
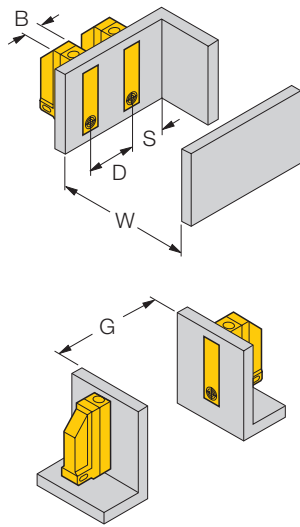


Function principle

Inductive sensors are designed for wear-free and non-contact detection of metal objects. uprox+ sensors have distinct advantages due to their patented multi-coil system. They excel in highest switching distances, maximum flexibility and operational reliability as well as efficient standardisation.

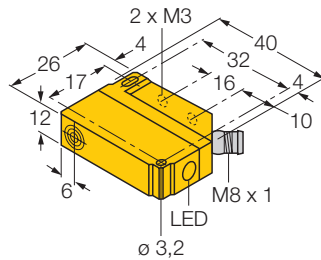
Type	Bi5U-Q12-AP6X2-H1141
Ident-No.	1635526
Rated operating distance Sn	5 mm
Mounting condition	flush
Assured switching distance	≤ (0,81 x Sn) mm
Repetition accuracy	≤ 2 %
Temperature drift	≤ ± 10 %
Hysteresis	3... 15 %
ambient temperature	-25 ... + 70 °C
Operating voltage	10... 30 V DC
Residual ripple	≤ 10 % U _{SS}
DC rated operational current	≤ 200 mA
No-load current I ₀	≤ 15 mA
Residual current	≤ 0.1 mA
Rated insulation voltage	≤ 0.5 kV
Short-circuit protection	yes / cyclic
Voltage dip at I _e	≤ 1.8 V
Wire breakage / reverse polarity protection	yes / complete
Output function	3-wire, normally open, pnp
Switching frequency	≤ 1 kHz
Housing style	rectangular; Q12
Dimensions	40 x 26 x 12 mm
Housing material	plastic, plastic, PA12-GF20
Material active area	plastic, plastic, PA12-GF20
Connection	connector, M12 x 1
Vibration resistance	55 Hz (1 mm)
Shock resistance	30g (11 ms)
Protection degree	IP68
Operating voltage display	LED green
Switch state display	LED yellow

Mounting instructions	minimum distances
Distance D	48 mm
Distance W	25 mm
Distance S	12 mm
Distance G	50 mm
Width of the active area B	12 mm



sensors can be mounted directly beside one another if a sensor with staggered oscillator frequency Bi5U-Q12.../F2 is used.

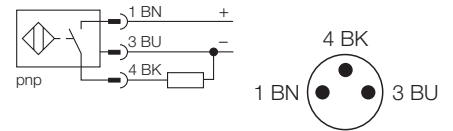
Bi5U-Q12-AP6X2-V1131/F2



- rectangular, height 12 mm
- side active face
- plastic, PBT-GF30-V0
- factor 1 for all metals
- extended switching distance
- degree of protection IP68
- magnetic field immune
- directly mountable on metal
- 3-wire DC, 10..0.30 VDC
- normally open, pnp output
- connector, M8 x 1

Type	Bi5U-Q12-AP6X2-V1131/F2
Ident-No.	1635528
Rated operating distance Sn	5 mm
Mounting condition	flush
Assured switching distance	≤ (0,81 x Sn) mm
Repetition accuracy	≤ 2 %
Temperature drift	≤ ± 10 %
Hysteresis	3... 15 %
ambient temperature	-25 ... + 70 °C
Operating voltage	10... 30 V DC
Residual ripple	≤ 10 % U _{SS}
DC rated operational current	≤ 200 mA
No-load current I ₀	≤ 15 mA
Residual current	≤ 0.1 mA
Rated insulation voltage	≤ 0.5 kV
Short-circuit protection	yes / cyclic
Voltage dip at I _e	≤ 1.8 V
Wire breakage / reverse polarity protection	yes / complete
Output function	3-wire, normally open, pnp
Switching frequency	≤ 1 kHz
Housing style	rectangular; Q12
Dimensions	40 x 26 x 12 mm
Housing material	plastic, plastic, PA12-GF20
Material active area	plastic, plastic, PA12-GF20
Connection	connector, M8 x 1
Vibration resistance	55 Hz (1 mm)
Shock resistance	30g (11 ms)
Protection degree	IP68
Operating voltage display	LED green
Switch state display	LED yellow

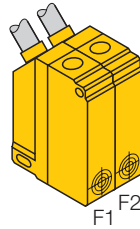
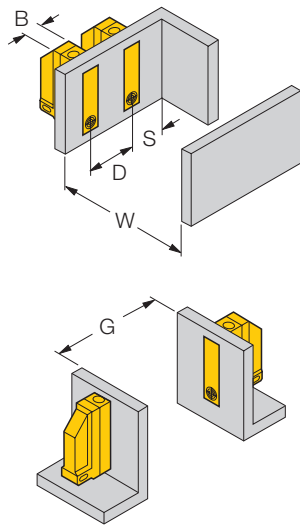
Wiring diagram



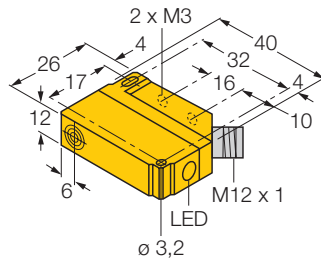
Function principle

Inductive sensors are designed for wear-free and non-contact detection of metal objects. uprox+ sensors have distinct advantages due to their patented multi-coil system. They excel in highest switching distances, maximum flexibility and operational reliability as well as efficient standardisation.

Mounting instructions	minimum distances
Distance D	48 mm
Distance W	25 mm
Distance S	12 mm
Distance G	50 mm
Width of the active area B	12 mm

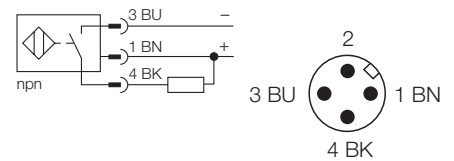


sensors can be mounted directly beside one another if a sensor with staggered oscillator frequency Bi5U-Q12.../F2 is used.



- rectangular, height 12 mm
- side active face
- plastic, PBT-GF30-V0
- factor 1 for all metals
- extended switching distance
- degree of protection IP68
- magnetic field immune
- directly mountable on metal
- 3-wire DC, 10..0.30 VDC
- normally open npn output
- connector, M12 x 1

Wiring diagram

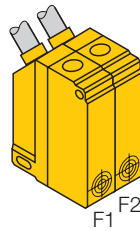
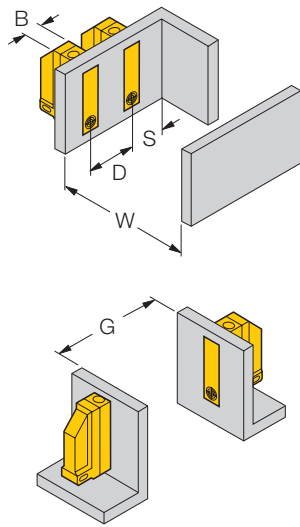


Function principle

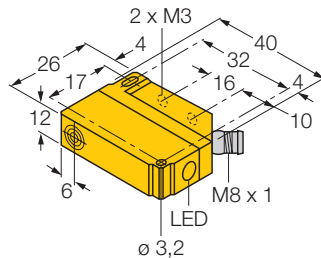
Inductive sensors are designed for wear-free and non-contact detection of metal objects. uprox+ sensors have distinct advantages due to their patented multi-coil system. They excel in highest switching distances, maximum flexibility and operational reliability as well as efficient standardisation.

Type	Bi5U-Q12-AN6X2-H1141
Ident-No.	1635527
Rated operating distance Sn	5 mm
Mounting condition	flush
Assured switching distance	≤ (0,81 x Sn) mm
Repetition accuracy	≤ 2 %
Temperature drift	≤ ± 10 %
Hysteresis	3... 15 %
ambient temperature	-25 ... + 70 °C
Operating voltage	10... 30 V DC
Residual ripple	≤ 10 % U _{SS}
DC rated operational current	≤ 200 mA
No-load current I ₀	≤ 15 mA
Residual current	≤ 0.1 mA
Rated insulation voltage	≤ 0.5 kV
Short-circuit protection	yes / cyclic
Voltage dip at I _e	≤ 1.8 V
Wire breakage / reverse polarity protection	yes / complete
Output function	3-wire, normally open, npn
Switching frequency	≤ 1 kHz
Housing style	rectangular; Q12
Dimensions	40 x 26 x 12 mm
Housing material	plastic, plastic, PA12-GF20
Material active area	plastic, plastic, PA12-GF20
Connection	connector, M12 x 1
Vibration resistance	55 Hz (1 mm)
Shock resistance	30g (11 ms)
Protection degree	IP68
Operating voltage display	LED green
Switch state display	LED yellow

Mounting instructions	minimum distances
Distance D	48 mm
Distance W	25 mm
Distance S	12 mm
Distance G	50 mm
Width of the active area B	12 mm

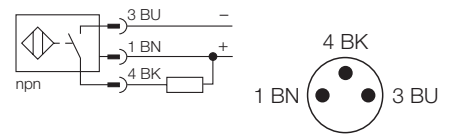


sensors can be mounted directly beside one another if a sensor with staggered oscillator frequency Bi5U-Q12.../F2 is used.



- rectangular, height 12 mm
- side active face
- plastic, PBT-GF30-V0
- factor 1 for all metals
- extended switching distance
- degree of protection IP68
- magnetic field immune
- directly mountable on metal
- 3-wire DC, 10..0.30 VDC
- normally open npn output
- connector, M8 x 1

Wiring diagram



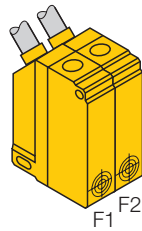
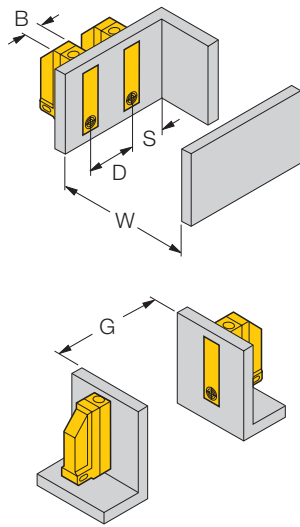
Function principle

Inductive sensors are designed for wear-free and non-contact detection of metal objects. uprox+ sensors have distinct advantages due to their patented multi-coil system. They excel in highest switching distances, maximum flexibility and operational reliability as well as efficient standardisation.

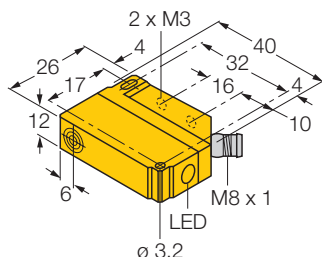
Type	Bi5U-Q12-AN6X2-V1131
Ident-No.	1635525
Rated operating distance Sn	5 mm
Mounting condition	flush
Assured switching distance	≤ (0,81 x Sn) mm
Repetition accuracy	≤ 2 %
Temperature drift	≤ ± 10 %
Hysteresis	3... 15 %
ambient temperature	-25 ... + 70 °C
Operating voltage	10... 30 V DC
Residual ripple	≤ 10 % U _{SS}
DC rated operational current	≤ 200 mA
No-load current I ₀	≤ 15 mA
Residual current	≤ 0.1 mA
Rated insulation voltage	≤ 0.5 kV
Short-circuit protection	yes / cyclic
Voltage dip at I _e	≤ 1.8 V
Wire breakage / reverse polarity protection	yes / complete
Output function	3-wire, normally open, npn
Switching frequency	≤ 1 kHz
Housing style	rectangular; Q12
Dimensions	40 x 26 x 12 mm
Housing material	plastic, plastic, PA12-GF20
Material active area	plastic, plastic, PA12-GF20
Connection	connector, M8 x 1
Vibration resistance	55 Hz (1 mm)
Shock resistance	30g (11 ms)
Protection degree	IP68
Operating voltage display	LED green
Switch state display	LED yellow

Mounting instructions	minimum distances
Distance D	48 mm
Distance W	25 mm
Distance S	12 mm
Distance G	50 mm

Width of the active area B	12 mm
-----------------------------------	-------



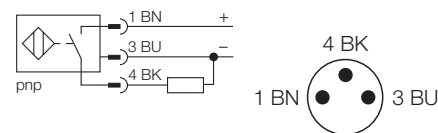
sensors can be mounted directly beside one another if a sensor with staggered oscillator frequency Bi5U-Q12.../F2 is used.



- rectangular, height 12 mm
- side active face
- plastic, PBT-GF30-V0
- factor 1 for all metals
- extended switching distance
- degree of protection IP68
- magnetic field immune
- directly mountable on metal
- 3-wire DC, 10..0.30 VDC
- normally open, pnp output
- connector, M8 x 1

Type	Bi5U-Q12-AP6X2-V1131
Ident-No.	1635524
Rated operating distance Sn	5 mm
Mounting condition	flush
Assured switching distance	≤ (0,81 x Sn) mm
Repetition accuracy	≤ 2 %
Temperature drift	≤ ± 10 %
Hysteresis	3... 15 %
ambient temperature	-25 ... + 70 °C
Operating voltage	10... 30 V DC
Residual ripple	≤ 10 % U _{SS}
DC rated operational current	≤ 200 mA
No-load current I ₀	≤ 15 mA
Residual current	≤ 0.1 mA
Rated insulation voltage	≤ 0.5 kV
Short-circuit protection	yes / cyclic
Voltage dip at I _e	≤ 1.8 V
Wire breakage / reverse polarity protection	yes / complete
Output function	3-wire, normally open, pnp
Switching frequency	≤ 1 kHz
Housing style	rectangular; Q12
Dimensions	40 x 26 x 12 mm
Housing material	plastic, plastic, PA12-GF20
Material active area	plastic, plastic, PA12-GF20
Connection	connector, M8 x 1
Vibration resistance	55 Hz (1 mm)
Shock resistance	30g (11 ms)
Protection degree	IP68
Operating voltage display	LED green
Switch state display	LED yellow

Wiring diagram

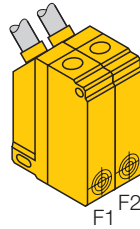
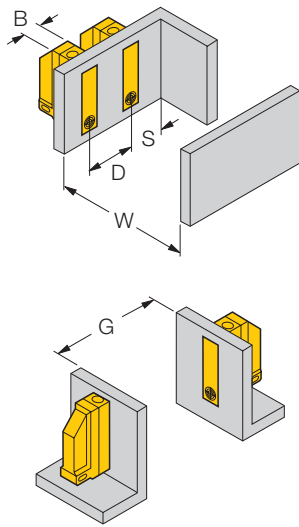


Function principle

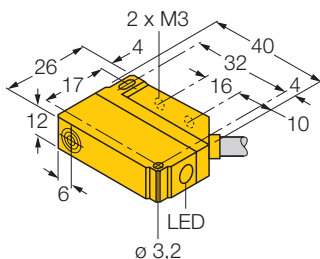
Inductive sensors are designed for wear-free and non-contact detection of metal objects. uprox+ sensors have distinct advantages due to their patented multi-coil system. They excel in highest switching distances, maximum flexibility and operational reliability as well as efficient standardisation.

Mounting instructions	minimum distances
Distance D	48 mm
Distance W	25 mm
Distance S	12 mm
Distance G	50 mm

Width of the active area B	12 mm
-----------------------------------	-------



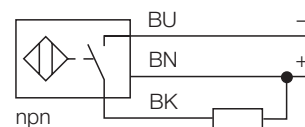
sensors can be mounted directly beside one another if a sensor with staggered oscillator frequency Bi5U-Q12.../F2 is used.



- rectangular, height 12 mm
- side active face
- plastic, PBT-GF30-V0
- factor 1 for all metals
- extended switching distance
- degree of protection IP68
- magnetic field immune
- directly mountable on metal
- 3-wire DC, 10..0.30 VDC
- normally open npn output
- cable connection

Type	Bi5U-Q12-AN6X2
Ident-No.	1635523
Rated operating distance Sn	5 mm
Mounting condition	flush
Assured switching distance	≤ (0,81 x Sn) mm
Repetition accuracy	≤ 2 %
Temperature drift	≤ ± 10 %
Hysteresis	3... 15 %
ambient temperature	-25 ... + 70 °C
Operating voltage	10... 30 V DC
Residual ripple	≤ 10 % U _{SS}
DC rated operational current	≤ 200 mA
No-load current I ₀	≤ 15 mA
Residual current	≤ 0.1 mA
Rated insulation voltage	≤ 0.5 kV
Short-circuit protection	yes / cyclic
Voltage dip at I _e	≤ 1.8 V
Wire breakage / reverse polarity protection	yes / complete
Output function	3-wire, normally open, npn
Switching frequency	≤ 1 kHz
Housing style	rectangular; Q12
Dimensions	40 x 26 x 12 mm
Housing material	plastic, plastic, PA12-GF20
Material active area	plastic, plastic, PA12-GF20
Connection	cable
cable quality	Ø 4, LiYY-11Y, PUR, 2 m
Cable cross section:	3 x 0.25 mm ²
Vibration resistance	55 Hz (1 mm)
Shock resistance	30g (11 ms)
Protection degree	IP68
Operating voltage display	LED green
Switch state display	LED yellow

Wiring diagram

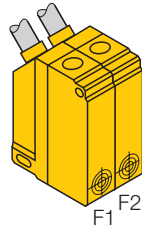
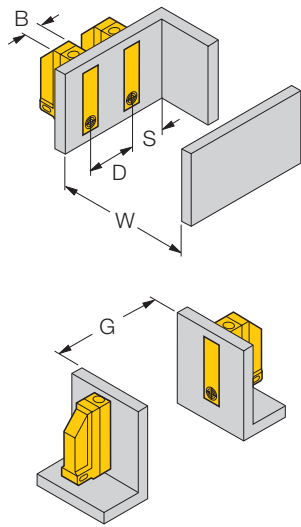


Function principle

Inductive sensors are designed for wear-free and non-contact detection of metal objects. uprox+ sensors have distinct advantages due to their patented multi-coil system. They excel in highest switching distances, maximum flexibility and operational reliability as well as efficient standardisation.

Mounting instructions	minimum distances
Distance D	48 mm
Distance W	25 mm
Distance S	12 mm
Distance G	50 mm

Width of the active area B	12 mm
-----------------------------------	-------



sensors can be mounted directly beside one another if a sensor with staggered oscillator frequency Bi5U-Q12.../F2 is used.