



# vynckier

ENCLOSURE SYSTEMS, INC.

## The World of Vynckier



## WELCOME TO THE WORLD OF VYNCKIER

### SETTING THE STANDARD IN INNOVATION

Vynckier is a progressive company committed to excellence and performance. Headquartered in Ghent, Belgium, **Vynckier n.v.** has one of the largest and most advanced plastics molding operations in Europe. Backed by the resources and technology of the GE Power Controls Group, we are the world's leading manufacturer of non-metallic enclosures.

Vynckier leads the market in fiberglass reinforced polyester (FRP) enclosures, being the first manufacturer to introduce the material.

Vynckier enclosures are lightweight, durable, watertight and corrosion-proof. They are a superior alternative to metal enclosures. Our track record for producing these quality products spans more than 40 years.

Vynckier is among the first enclosure manufacturers to receive ISO 9001 certification. Our products conform to national and international standards.



### INVENTORY

Vynckier is home to the largest inventory of non-metallic enclosures in North America.

### CUSTOM MODIFICATION CAPABILITIES

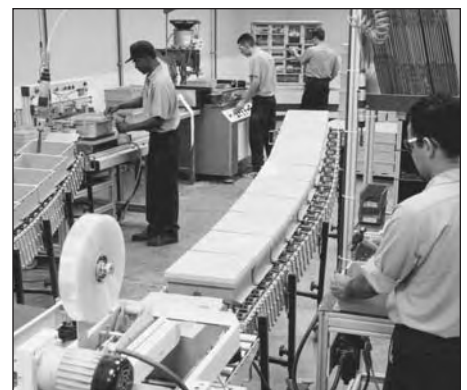
Our Service Center is also home to our UL-508 modification facility, from which modified orders are shipped within two weeks in most cases.

Custom NEMA 4X applications include:

- Ribbon cutouts
- Custom windows
- Disconnects (fusible or non-fusible)
- Combination starters
- Power distribution panels
- Lighting panels
- Pushbutton stations
- Terminal boxes
- 19" rack systems

### BENEFITS OF FIBERGLASS REINFORCED POLYESTER (FRP)

- Consistent quality with use of hot compression molding techniques
- Corrosion resistance exceeding NEMA 4X salt and spray requirements
- Impact resistant, UV resistant and maintenance-free
- High IP rating with tongue and groove construction and continuous-poured polyurethane gaskets
- Resistance to wide temperature variations without modification of properties
- Lightweight (75% less than stainless steel)
- Installer-friendly – accepts standard tools, features mounting feet, is easily cleaned with petroleum distillate
- Suitable for indoor or outdoor installations
- Total insulation protects against indirect electrical contact; tested per ASTM D149
- Less costly than stainless steel; save on modifications, installation, maintenance and shipping
- Halogen-free, self-extinguishing and flame retardant per UL 746C



**TABLE OF CONTENTS**

OUTSIDE DIMENSIONS	ENCLOSURES							
	VM SERIES	FLEX-0-BOX SERIES	SERIES 55	VJ SERIES	APO SERIES	ARIA SERIES	GREATER DEPTH SUPERPOLYREL 16" SERIES	POLYSAFE SERIES
PAGE	5	9	11	13	18	22	25	26
4 x 3 x 3	X							
4 x 4 x 2		X	X					
5 x 3 x 3	X							
5 x 3 x 4	X							
5 x 5 x 3	X		X					
5 x 5 x 4	X							
7 x 3 x 3	X							
7 x 5 x 3	X							
7 x 5 x 4	X							
7 x 5 x 5	X							
7 x 6 x 6					X			
7 x 7 x 3	X							
7 x 7 x 4			X					
7 x 7 x 5	X			X				
7 x 7 x 6	X							
9 x 3 x 3	X							
9 x 7 x 4			X					
9 x 7 x 5				X				
11 x 9 x 5				X				
11 x 9 x 7				X				
12 x 7 x 7					X			
12 x 8 x 7						X		
12 x 12 x 7					X			
13 x 11 x 6				X				
13 x 11 x 7				X				
15 x 12 x 7					X			
15 x 13 x 7				X				
15 x 13 x 8				X				
16 x 12 x 7						X		
17 x 15 x 7				X				
17 x 15 x 8				X				
19 x 12 x 7					X			
19 x 17 x 10				X				
20 x 16 x 9						X		
20 x 20 x 13								X
20 x 30 x 13								X
20 x 30 x 16							X	
22 x 12 x 7					X			
24 x 12 x 7					X			
24 x 15 x 7					X			
24 x 16 x 9						X		
24 x 24 x 7					X			
29 x 21 x 11						X		
30 x 20 x 13								X
30 x 20 x 16							X	
30 x 30 x 13								X
30 x 30 x 16							X	
30 x 40 x 13								X
30 x 40 x 16							X	
30 x 50 x 13								X
33 x 25 x 12						X		
40 x 20 x 13								X
40 x 30 x 13								X
40 x 30 x 16							X	
40 x 40 x 13								X
40 x 40 x 16							X	
40 x 50 x 13								X
40 x 50 x 16							X	
41 x 33 x 12						X		
50 x 30 x 13								X
50 x 30 x 16							X	
50 x 40 x 13								X
50 x 40 x 16							X	

NOTE: Measurements are approximate. Please see catalog section for precise measurements.

**TABLE OF CONTENTS**

OUTSIDE DIMENSIONS	CABINETS	OTHER		
	VP SYSTEM	PEDESTALS	TECHNICAL	COMPETITOR'S CROSS REFERENCE
<b>PAGE</b>	<b>30</b>	<b>31</b>	<b>33</b>	<b>37</b>
60 x 30 x 20		<i>See catalog section for measurements</i>		
60 x 30 x 30				
60 x 40 x 20				
60 x 40 x 30				
61 x 23 x 12	X			
61 x 23 x 16	X			
61 x 33 x 12	X			
61 x 33 x 16	X			
61 x 43 x 12	X			
61 x 43 x 16	X			
70 x 30 x 20				
70 x 30 x 30				
70 x 40 x 20				
70 x 40 x 30				
79 x 23 x 12	X			
79 x 23 x 16	X			
79 x 23 x 24	X			
79 x 23 x 28	X			
79 x 23 x 32	X			
79 x 33 x 12	X			
79 x 33 x 16	X			
79 x 33 x 24	X			
79 x 33 x 28	X			
79 x 33 x 32	X			
79 x 43 x 12	X			
79 x 43 x 16	X			
79 x 43 x 24	X			
79 x 43 x 28	X			
79 x 43 x 32	X			
80 x 30 x 20				
80 x 30 x 30				
80 x 40 x 20				
80 x 40 x 30				
90 x 30 x 20				
90 x 30 x 30				
90 x 40 x 20				
90 x 40 x 30				

*NOTE: Measurements are approximate. Please see catalog section for precise measurements.*


**Moisture and dust proof**

Whatever the conditions – washdown, rain, condensation or windblown dust – Vynckier has the enclosure to fit your application.


**Stress proof**

With fiberglass reinforced polyester (FRP) enclosures from Vynckier, field modification is a snap.


**Corrosion proof**

For cost-effective corrosion control there's no better solution than a non-metallic enclosure from Vynckier.

**GLOBAL APPROVALS | ABBREVIATIONS**
**GLOBAL APPROVALS**

	AS	Austria
	ÖVE	Austria
	CEBEC	Belgium
	CSA, GEC	Canada
	DEMKO	Denmark
	SETI	Finland
	UTE	France
	VDE	Germany
	BS	Great Britain
	ASTA	Great Britain
	IMQ	Italy
	KEMA	Netherlands
	NEMKO	Norway
	AEE	Spain
	SEMKO	Sweden
	SEV	Switzerland
	UL	U.S.A
	UR	U.S.A.
		Lloyd's Register of Shipping

**ABBREVIATIONS**

Al	Aluminum
ASTM	American Society for Testing Materials
IEC	International Electrotechnical Commission
CENELEC	Comité Européen de Normalisation Electrotechnique/European Committee for Electrotechnical Standardization
CCA	Cenelec Certification Agreement
Cu	Copper
DIN	Deutsches Institut für Normung e.V.
E..	Edison thread
IP..	Degree of Ingress Protection
M..	Metric thread
NBN	Norme Belge/Belgische norm (Belgian standard)
NEC	National Electric Code
NEC	Nederlands Elektrotechnisch Comité (Netherlands Electrotechnical Committee)
NF	Norme française (French standard)
1P	Unipolar
2P	Bipolar
3P	Tripolar
4P	Tetrapolar
PG..	Panzerrohrgewinde (Thread following DIN 40430)
RAL..	Ausschuss für Lieferbedingungen und Gürsicherung (Color Standardization)

**ABBREVIATIONS (continued)**

VDE	Verband Deutscher Elektrotechniker
NEMA	National Electrical Manufacturers Association
JIC	Joint Industry Council

## VM SERIES



### FEATURES

- The VM series consists of ten box sizes ranging from 5" x 3" x 3" to 7" x 7" x 6"
- Opaque covers and all bases are made of impact and corrosion-resistant VALOX® (RAL 7035); VALOX is a crystalline thermoplastic polyester, and VALOX resin offers a performance profile engineered for demanding end-use environments
- Transparent covers made of polycarbonate
- Molded internal bosses for back panel, component or DIN-rail mounting
- ASTM D 648 up to 280°F heat deflection temperature
- Non-metallic cover screws
- Tongue-and-groove gasket fittings ensure tight seal
- Consult factory for custom molded logo on front cover

### APPLICATIONS

Designed for use as insulated electrical junction boxes, terminal-wiring boxes, instrument housings, electrical control boxes and pushbutton housings in wet, dusty and/or corrosive environments

### STANDARDS

- IP66 rating
- UL Type 3, 3R, 4, 4X, 12 and 13
- CSA Type 3, 3R, 4, 4X, 12 and 13

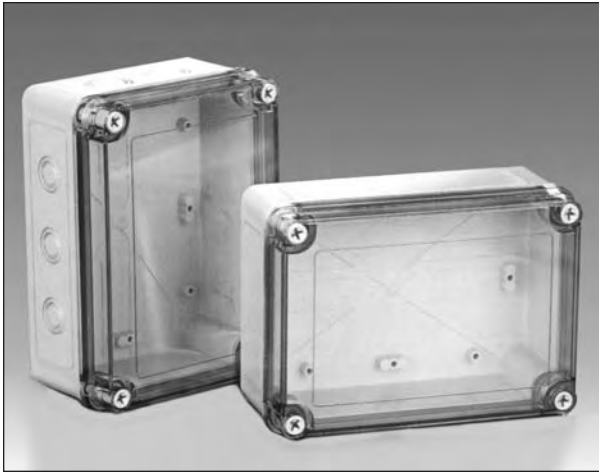


*Consult factory for options on placing your logo right on the front of the enclosure!*



*Tongue-and-groove gasket fittings ensure tight seal.*

## VM SERIES



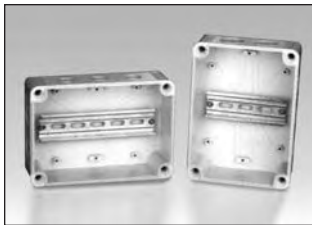
### VM Enclosures

Available with opaque base, clear or opaque cover, and with or without knockouts.

Part Number*	Outside Dimension			Inside Dimension		
	H	W	D	h	w	d
VM533*	5.03	3.06	3.02	4.69	2.61	2.72
VM534*	5.03	3.06	4.02	4.69	2.72	3.72
VM553*	5.03	5.03	3.02	4.69	4.69	2.72
VM554*	5.03	5.03	4.02	4.69	4.69	3.72
VM753*	7.00	5.03	3.02	6.65	4.69	2.72
VM754*	7.00	5.03	4.02	6.65	4.69	3.72
VM755*	7.00	5.03	5.02	6.65	4.69	4.72
VM773*	7.00	7.00	3.02	6.65	6.65	2.72
VM775*	7.00	7.00	5.02	6.65	6.65	4.72
VM776*	7.00	7.00	6.02	6.65	6.65	5.72
VM107*	<i>subject to production minimum</i>					

\* COMPLETE YOUR PART NUMBER WITH ONE OF THE FOLLOWING:

- (nothing) for opaque cover
- K for opaque cover with knockouts
- CT for clear cover
- CTK for clear cover with knockouts



### Back Panels

Enclosures feature molded internal bosses for back panel, component or DIN-rail mounting.

Part Number*	Galvanized* Panel Size	DIN-rails Short Side	DIN-rails Long Side
VMBP53	4.21 x 2.25	DRS35	DRL53
VMBP55	4.215 x 4.21	DRS55	DRL55
VMBP75	6.18 x 4.21	DRS57	DRL75
VMBP77	6.18 x 6.18	DRS77	DRL77

\* Galvanized material thickness .060"

### Standard Hinged Window Kits

Available with regular or spring hinges.



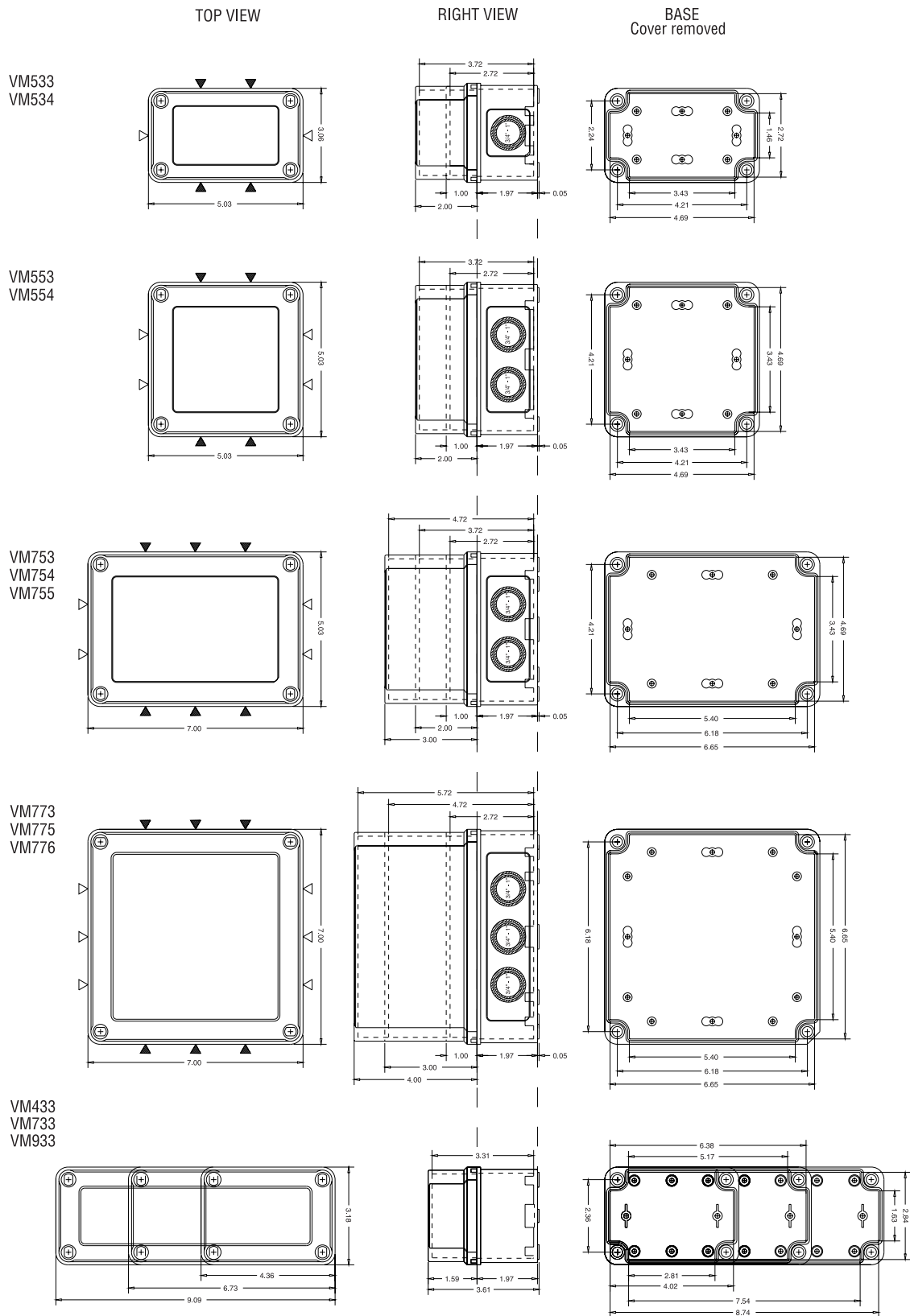
Part Number	L	Overall W	H	Viewing Area	
				L	W
VM-CTFS23	2.36	3.03	0.79	1.65	1.97
VM-CTFS43	3.78	3.03	0.79	3.07	1.97
VM-CTFS53	5.12	3.03	0.79	4.41	1.97
VM-CTFS73	6.42	3.03	0.79	5.71	1.97

### Raised Cover Hinged Window Kits

Available with regular or spring hinges.



Part Number	L	Overall W	H	Viewing Area	
				L	W
VM-CTHS23	2.36	3.03	1.26	1.65	1.97
VM-CTHS43	3.78	3.03	1.26	3.07	1.97
VM-CTHS53	5.12	3.03	1.26	4.41	1.97
VM-CTHS73	6.42	3.03	1.26	5.71	1.97

**VM SERIES | DIMENSIONS**


- ▷ PG21/PG16  $\phi$  1.14" /  $\phi$  0.90" Knockouts
- ▶ PG13.5/PG9  $\phi$  0.82" /  $\phi$  0.61" Knockouts

\*Knockout drawing upon request.

## VM SERIES | PUSHBUTTON UNITS



### FEATURES

- Includes five sizes ranging from 4" x 3" x 3" to 9" x 3" x 3"
- Base and opaque cover are made of impact and corrosion-resistant VALOX® (RAL 7035)
- Molded internal bosses for mounting panels and other components
- ASTM D 648 up to 280°F heat deflection temperature
- Cross-point non-metallic cover screws
- Seamless polyurethane gasket provides oil-resistant, watertight and dust tight seal
- Cover and bases meet with tongue and groove design for tight seal

### APPLICATIONS

Designed for use as insulated electrical junction boxes, terminal wiring boxes, instrument housings, electrical control boxes and pushbutton housings in wet, dusty and/or corrosive environments.

### STANDARDS

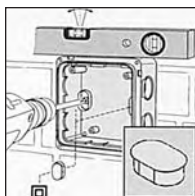
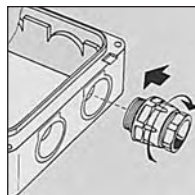
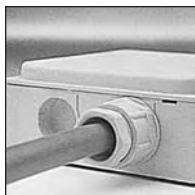
- IP66 rating
- UL and CSA Type 3, 3R, 4, 4X, 12 and 13

Part Number	Pushbutton Style	Holes	Outside Dimension			Inside Dimension		
			H	W	D	h	w	d
VM433	N/A	0				4.02	2.84	3.31
VM733	N/A	0				6.38	2.84	3.31
VM933	N/A	0				8.74	2.84	3.31
VM433-PBS1	STANDARD	1	4.36	3.18	3.61	4.02	2.84	3.31
VM733-PBS2	STANDARD	2	6.73	3.18	3.61	6.38	2.84	3.31
VM933-PBS3	STANDARD	3	9.09	3.18	3.61	8.74	2.84	3.31
VM775-PBS4	STANDARD	4	7.00	7.00	5.02	6.65	6.65	4.72
VM433-PBM1	MINIATURE	1	4.36	3.18	3.61	4.02	2.84	3.31
VM533-PBM2	MINIATURE	2	5.03	3.06	3.02	4.69	2.72	2.72
VM733-PBM3	MINIATURE	3	6.73	3.18	3.61	6.38	2.84	3.31
VM933-PBM4	MINIATURE	4	9.09	3.18	3.61	8.74	2.84	3.31
VM755-PBM6	MINIATURE	6	7.00	5.00	5.02	6.65	4.69	4.72
VM775-PBM9	MINIATURE	9	7.00	7.00	5.02	6.65	6.65	4.72

## FLEX-O-BOX SERIES

### FEATURES

- Flexible entries make cutting and breaking unnecessary – cables or tubes can be inserted directly
- Cable glands can be screwed directly into the entries without any joints or lockout being necessary
- Nine entries: 7 PG16 in the side walls and two 20-cm holes in the backwall
- Substantial space for wiring
- The double-wall base makes the box extremely rigid
- Oval fastening points facilitate leveling
- Terminal blocks are available for making rapid, safe connections
- CEBC, KEMA and VDE approved
- Safe and reliable entries, even years later
- IP65 protection degree
- Total insulation
- Manufactured from high quality thermoplastic material
- Resistant in tests to heat from a 750°C incandescent wire
- Halogen-free



#### Fixing Holes

Fixing holes are easily accessible and facilitate leveling. Insulation caps ensure total insulation.



#### Terminal Blocks

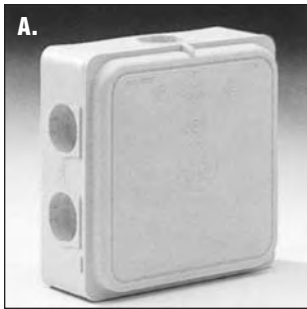
Two models are available: pin-type and hole-type. The hole-type can be screwed diagonally or along a wall.



#### Entries and Cover

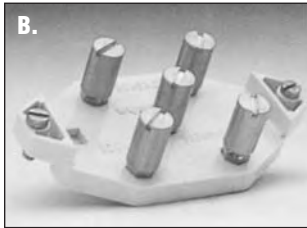
Entries are marked. A table on the inner side of the cover can be used to describe circuits.

**FLEX-O-BOX SERIES | ACCESSORIES & DIMENSIONS**



**A. 6mm² Junction Box ..... FB442**

Color: RAL 7035  
Halogen-free



**B. 6mm² 500V Pin-Type 5-Terminal Block ..... FBTB**

Halogen-free  
Connections per terminal:  
6 @ 1.5 mm²  
3 @ 4 mm²  
4 @ 2.5 mm²  
2 @ 6 mm²



**C. 6mm² 500V Hole-Type 5-Terminal Strip ..... FBTS**

Connections per terminal:  
6 @ 1.5 mm²  
3 @ 4 mm²  
4 @ 2.5 mm²  
2 @ 6 mm²



**D. Cable Seal ..... PG16SE**

Color: Gray



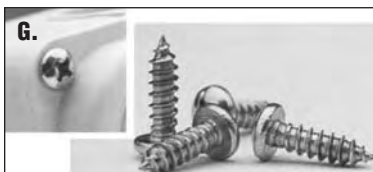
**E. Entry Socket for 5/8" Tube ..... PG165058**

Color: Gray



**E. Entry Socket for 3/4" Tube ..... PG165034**

Color: Gray



**F. Insulation Cap ..... PG16I**

Color: Gray

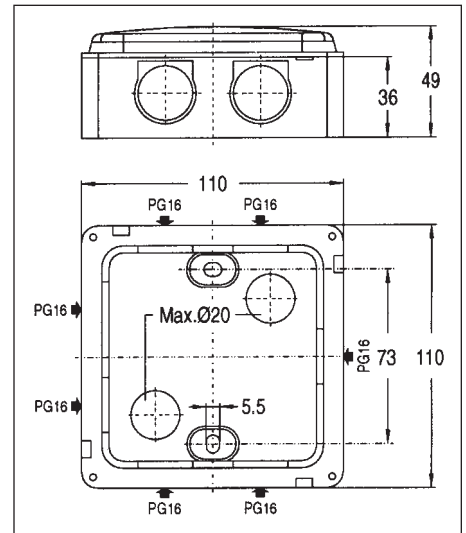
**G. Stainless Steel Fastening Screws ..... FBSC**

**TECHNICAL DATA**

- Suitable for surface mounting
- 6mm² - 500V
- IP65 protection degree
- Standards and approvals:  
CEBEC: NBN C68-685-2-0  
NBN C68-685-1  
VDE: 0606 Teil 1  
KEMA: IEC670
- Color: RAL 7035
- Material: resists the 750°C incandescent
- Halogen-free

**FLEXIBLE ENTRIES**

- 7 PG16 in the side wall
- 2 x 20 mm maximum diameter entries in the back of the base
- Suitable for 20 mm max. diameter cable
- Suitable for 5/8" and 3/4" tubes
- Suitable for cable seals (8 mm minimum thread length)



## SERIES 55



### FEATURES

- Available in three sizes, ranging from 4<sup>11</sup>/<sub>32</sub> x 4<sup>21</sup>/<sub>43</sub> x 2<sup>31</sup>/<sub>44</sub> to 8<sup>11</sup>/<sub>42</sub> x 6<sup>21</sup>/<sub>43</sub> x 3<sup>11</sup>/<sub>42</sub>
- Designed to accommodate Series 55 terminal strips and lugs
- Made of injection-molded, impact-resistant polystyrene
- Clear covers made of injection-molded polycarbonate available on the two larger boxes
- Temperature resistance:  
-58°F to +302°F (-50°C to +150°C)  
Momentary +392°F (200°C)

### APPLICATIONS

Provide a cost effective solution for junction boxes, cable splicing for control or communications systems, pushbutton stations and test and measurement instrumentation. All other general purpose indoor/outdoor applications.

### STANDARDS

- NEMA/CEMA rated 3, 3R, 4, 4X, 12, 1
- IEC 529 rated IP 66/67-7

### ACCESSORIES

- Back panels
- Terminal strips
- DIN rails
- Terminal lugs
- Front panels
- Egress glands

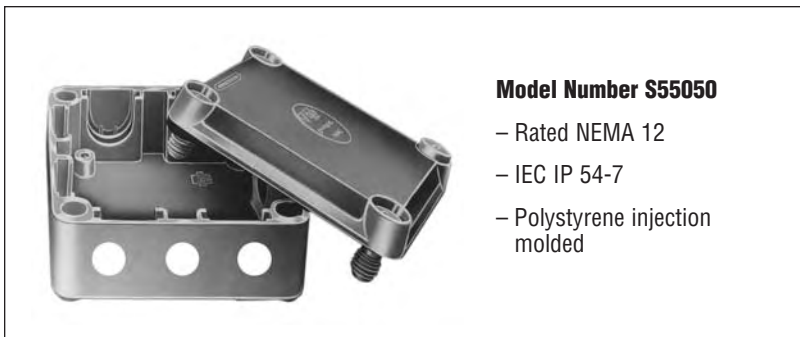
Part Number	Inside Dimension			Aluminum Back Panel <sup>1</sup>			Non-Metallic Front Plate			Knockouts
	h	w	d		h	w		h	w	
<b>SOLID COVER</b>										
S55100	4.63	4.63	2.88	BP100A	3.48	3.48	NA	NA		5
S55200	6.63	6.63	3.63	BP200A	5.56	5.56	FP200	6.38	6.38	11
S55300	8.63	6.63	3.63	BP300A	7.50	5.56	FP300 <sup>2</sup>	6.38	8.38	14
<b>CLEAR COVER</b>										
S55200C	6.63	6.63	3.63	BP200A	5.56	5.56	FP200	6.38	6.38	11
S55300C	8.63	6.63	3.63	BP300A	7.50	5.56	FP300 <sup>2</sup>	6.38	8.38	14

To be used as deadfront shields for DIN-mounted devices.

<sup>1</sup> Aluminum material thickness .080"

<sup>2</sup> COMPLETE YOUR PART NUMBER WITH ONE OF THE FOLLOWING:

- V for vertical front plate
- H for horizontal front plate



**SERIES 55 | ACCESSORIES & DIMENSIONS**



Terminal Lugs	Lug Capacity	H x W x D
CTS-100	5x4 / 4x6 / 3x10 mm <sup>2</sup>	4.92 x 4.92 x 2.95 (1)
CTS-200	5x6 / 4x4 / 3x16 mm <sup>2</sup>	6.89 x 6.89 x 3.74 (1)
CTL	4x16 / 3x25 / 2x35 mm <sup>2</sup>	8.85 x 6.89 x 3.74 (2)

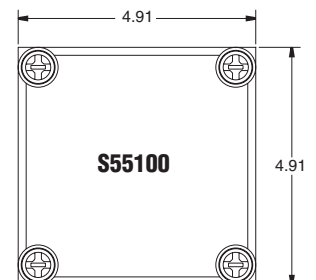
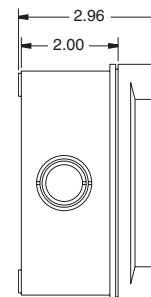
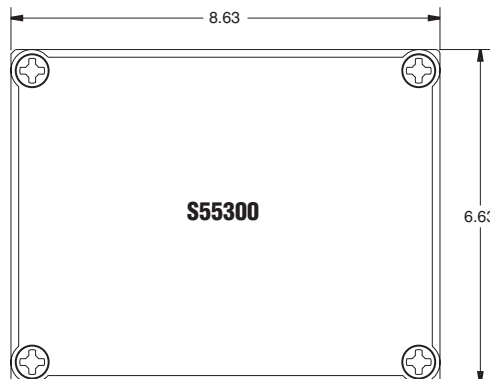
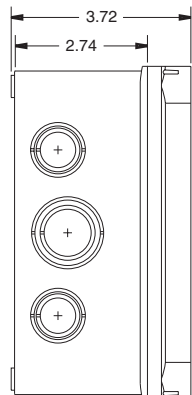
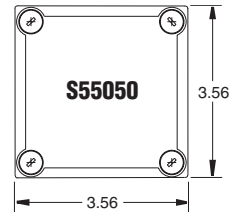
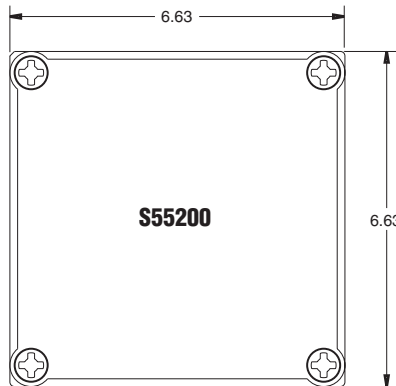
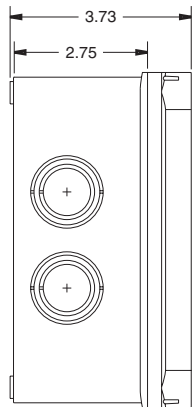
(1) 5 terminals on one block; (2) 5 separate clamps

DIN Rail Strips	L
DIN200	5.625"
DIN300	7.50"

Rubber Egress Gland	Fits Knockout
EG-16	0.50"
EG-21	0.75"
EG-29	1.50"

Wire Range Avg.	Term. Size mm <sup>3</sup>
26-12	2.5
26-10	4
16-8	10
14-6	16
12-2	35

Non-Metallic Connectors	Size
C-100	0.75"
C-101	1.50"
C-50	0.50"



## VJ SERIES

### FEATURES

- The VJ series is designed in accordance with the Joint Industrial Council (JIC)-USA
- The VJ range consists of seven box sizes in several versions:
  - with screw cover
  - with stainless steel piano hinge
  - with non-metallic hinges
  - with standard or padlockable latch
- The bases and covers are made of gray (RAL 7036), hot molded, fiberglass reinforced polyester containing 25% glass fibers. This process provides maximum strength and durability. They come complete with UL/CSA-label and 4 threaded inserts for a mounting plate.
- Cover screw holes in corners are outside of gasketed area
- Continuous gaskets made of polyurethane foam guarantee optimal integrity
- All mounting hardware is made of stainless steel
- Enclosures can be readily worked with conventional tools such as a drill, milling equipment, saw or punch
- Versatile service conditions: polyester enclosures can withstand continuous temperatures up to -58°F to +302°F (-50°C to 150°C) and momentary temperatures to +392°F (200°C)
- The VJ enclosures without latches provide optimum security to both operators and equipment because they feature double insulation and protection degree IP66-11 according to IEC 529
- VJ enclosures are maintenance free and corrosion resistant



### APPLICATIONS

Designed for use as electrical junction boxes in highly corrosive environments including oil refineries, chemical processing plants, waste water treatment plants, marine installations, electroplating plants, agricultural environments and food or animal processing plants. These enclosures are also suitable as instrument housings in both indoor and outdoor applications. Window enclosure provides easy visual inspection of interior components.

### STANDARDS

- IEC 439-1
- IEC 529 - Rated IP66-11
- EN 50298
- CSA Certified per C22.2 No. 94

### APPROVALS

- UL 508A/Types 3, 3R, 4, 4X, 12 & 13
- CSA 3, 3R, 4, 4X, 12 & 13
- AS Australian Standards 3131-1991
- EExeII, INTEX 84.102.378 U
- LLOYD'S Register of Shipping
- BASEEFA
- KEMA NETHERLANDS
- CEBEC Belgium

### ACCESSORIES

- Back panels\*
- Hinged front plates
- Stainless steel or non-metallic hinges
- Standoffs for back panels

\* Consult the factory for static load on back panels.

## VJ SERIES



### Screw Cover

The VJ Series "W" enclosures include four stainless steel captive screws that secure the cover to the base by means of four threaded brass inserts contained in the base.

Part Number	Outside Dimension			Inside Dimension			Cover Screws	Weight
	H	W	D	h	w	d		
VJ606W	7.31	7.31	4.96	6.00	6.00	4.21	4	2.80
VJ806W	9.31	7.31	4.96	8.00	6.00	4.21	4	3.80
VJ1008W	11.31	9.31	5.43	10.00	8.00	4.69	4	4.80
VJ1210W	13.31	11.31	5.59	12.00	10.00	4.84	4	6.30
VJ1412W	15.32	13.30	6.70	14.00	12.00	5.82	4	8.60
VJ1614W	17.31	15.31	6.69	16.00	14.00	5.82	4	10.60
VJ1816W	19.31	17.31	9.57	18.00	16.00	8.69	4	14.00



### Stainless Steel Hinged Cover

The VJ Series "HW" enclosures include two stainless steel captive screws and a stainless steel piano hinge that secure the cover to the base. Two threaded brass inserts contained in the base secure the cover screws, rivets connect the hinge to the cover and self-tapping screws connect the hinge to the base.

Part Number	Outside Dimension			Inside Dimension			Cover Screws	Weight
	H	W	D	h	w	d		
VJ606HW	7.31	7.31	4.96	6.00	6.00	4.21	2	2.80
VJ806HW	9.31	7.31	4.96	8.00	6.00	4.21	2	3.80
VJ1008HW	11.31	9.31	5.43	10.00	8.00	4.69	2	4.80
VJ1210HW	13.31	11.31	5.59	12.00	10.00	4.84	2	6.30
VJ1412HW	15.32	13.30	6.70	14.00	12.00	5.82	2	8.60
VJ1614HW	17.31	15.31	6.69	16.00	14.00	5.82	2	10.60
VJ1816HW	19.31	17.31	9.57	18.00	16.00	8.69	2	14.00



### Non-Metallic Hinged Cover

The VJ Series "NHW" enclosures include two stainless steel captive screws and two non-metallic hinges that secure the cover to the base. Two threaded brass inserts contained in the base secure the cover screws. Screws connect the hinges to the cover and base.

Part Number	Outside Dimension			Inside Dimension			Cover Screws	Weight
	H	W	D	h	w	d		
VJ606NHW	7.31	7.31	4.96	6.00	6.00	4.21	2	2.80
VJ806NHW	9.31	7.31	4.96	8.00	6.00	4.21	2	3.80
VJ1008NHW	11.31	9.31	5.43	10.00	8.00	4.69	2	4.80
VJ1210NHW	13.31	11.31	5.59	12.00	10.00	4.84	2	6.30
VJ1412NHW	15.32	13.30	6.70	14.00	12.00	5.82	2	8.60
VJ1614NHW	17.31	15.31	6.69	16.00	14.00	5.82	2	10.60
VJ1816NHW	19.31	17.31	9.57	18.00	16.00	8.69	2	14.00

NOTE: Standard hinge installation is on the long side of the enclosure. Non-metallic hinge is made from Valox®. Hinge can be installed with lift-off capability upon request.



### Latched Cover

The VJ Series "HWPL" enclosures include one or two stainless steel padlockable latches to secure one side of the cover to the base.

The VJ Series "HWLL" enclosures include one or two stainless steel twist latches to secure one side of the cover to the base.

Both enclosures feature a stainless steel piano hinge to secure the opposite side of the cover. Rivets connect the hinge to the cover and self-tapping screws connect the hinge to the base.

Part Number*	Outside Dimension			Inside Dimension			Latch	Weight
	H	W	D	h	w	d		
VJ606*1	7.31	7.31	4.96	6.00	6.00	4.21	1	2.80
VJ806*1	9.31	7.31	4.96	8.00	6.00	4.21	1	3.80
VJ1008*1	11.31	9.31	5.43	10.00	8.00	4.69	1	4.80
VJ1210*2	13.31	11.31	5.59	12.00	10.00	4.84	2	6.30
VJ1412*2	15.32	13.30	6.70	14.00	12.00	5.82	2	8.60
VJ1614*2	17.31	15.31	6.69	16.00	14.00	5.82	2	10.60
VJ1816*2	19.31	17.31	9.57	18.00	16.00	8.69	2	14.00

\* COMPLETE YOUR PART NUMBER WITH ONE OF THE FOLLOWING:  
 HWPL for padlockable latch version (NHWPL for non-metallic hinges)  
 HWLL for twist latch version (NHWLL for non-metallic hinges)

**VJ SERIES | RVJ, CVJ & CUSTOM WINDOWS**

**RVJ Raised Cover Units**

The raised cover option provided by the RVJ series allows greater enclosure depth.

All features and accessory options of the standard VJ series also apply to the RVJ series.


**CVJ Clearview Bonded Window Cover Units**

CVJ enclosures feature clearview bonded windows on the cover for total window access. The polycarbonate window is very durable, and CVJ construction maintains NEMA 4X integrity.

Part Number*	Outside Dimension			Inside Dimension			Weight
	H	W	D	h	w	d	
RVJ1008*	11.31	9.31	6.93	10.00	8.00	6.18	4.90
RVJ1210*	13.31	11.31	7.09	12.00	10.00	6.34	6.50
RVJ1412*	15.32	13.30	8.19	14.00	12.00	7.31	8.80
RVJ1614*	17.31	15.31	8.19	16.00	14.00	7.37	10.80
RVJ1816*	19.31	17.31	11.08	18.00	16.00	10.23	14.25

\* COMPLETE YOUR PART NUMBER WITH SUFFIX FROM THE BOX BELOW

Also available with bonded window (RVJB...).

Part Number*	Outside Dimension			Inside Dimension			Weight
	H	W	D	h	w	d	
CVJ606*	7.31	7.31	4.96	6.00	6.00	4.21	2.80
CVJ806*	9.31	7.31	4.96	8.00	6.00	4.21	3.80
CVJ1008*	11.31	9.31	5.43	10.00	8.00	4.69	4.80
CVJ1210*	13.31	11.31	5.59	12.00	10.00	4.84	6.30
CVJ1412*	15.32	13.30	6.70	14.00	12.00	5.82	8.60
CVJ1614*	17.31	15.31	6.69	16.00	14.00	5.82	10.60
CVJ1816*	19.31	17.31	9.57	18.00	16.00	8.69	14.00

\* COMPLETE YOUR PART NUMBER WITH SUFFIX FROM THE BOX BELOW

NOTE: CVJ enclosures are not available in RVJ (raised cover) format. UL listed for Type 3, 3R, 4, 4X, 12, 13.



Gasketed windows not UL listed.



Bonded windows UL listed for Type 3, 3R, 4, 4X, 12, 13.

Part Number*	Max Window	
	H	W
VJ(B/G)606*	4.00	4.00
VJ(B/G)806*	6.00	4.00
VJ(B/G)1008*	8.00	6.00
VJ(B/G)1210*	10.00	8.00
VJ(B/G)1412*	12.00	10.00
VJ(B/G)1614*	14.00	12.00
VJ(B/G)1816*	16.00	14.00

**Custom Windows**

Custom polycarbonate bonded (B) or gasketed (G) style windows are available. Contact your sales representative to discuss specific requirements.

\* COMPLETE YOUR PART NUMBER WITH SUFFIX FROM THE BOX AT RIGHT

**PART NUMBER SUFFIXES**

<b>W</b>	screw-type cover
<b>HW</b>	stainless steel hinge w/screw-type cover
<b>HWLL1</b>	stainless steel hinge w/1 twist latch (available for 606 through 1008 units)
<b>HWLL2</b>	stainless steel hinge w/2 twist latches (available for 1210 through 1816 units)
<b>HWPL1</b>	stainless steel hinge w/1 padlockable quick release latch (available for 606 through 1008 units)
<b>HWPL2</b>	stainless steel hinge w/2 padlockable quick release latches (available for 1210 through 1816 units)
<b>NHW</b>	non-metallic hinge w/screw-type cover
<b>NHWLL1</b>	non-metallic hinge w/1 twist latch (available for 606 through 1008 units)
<b>NHWLL2</b>	non-metallic hinge w/2 twist latches (available for 1210 through 1816 units)
<b>NHWPL1</b>	non-metallic hinge w/1 padlockable quick release latch (available for 606 through 1008 units)
<b>NHWPL2</b>	non-metallic hinge w/2 padlockable quick release latches (available for 1210 through 1816 units)

**VJ SERIES | ACCESSORIES**



**Molded Instrumentation Windows**

Instrumentation windows are molded of polycarbonate and rated NEMA 4X.

Suffix	Window Size	Min Enclosure	
		Vertical	Horizontal
SW32	3.00 x 2.00	VJ606	VJ606
SW44	4.00 x 4.00	VJ606	VJ606
SW64	6.00 x 4.00	VJ806	VJ1008
SW84N*	8.00 x 4.00	VJ806	VJ1008
SW84X*	8.00 x 4.00	VJ806	VJ1008
SW97*	9.00 x 7.00	VJ1008	VJ1210

\* UL listed if factory installed.

† SW84N has nameplate provision.

**Aluminum Hinged Front Panels**

Part Number	Panel Size	Enclosure
VFPH606A	5.75 x 5.60	VJ606
VFPH806A	7.75 x 5.60	VJ806
VFPH1008A	9.75 x 7.60	(R)VJ1008
VFPH1210A	11.81 x 9.60	(R)VJ1210
VFPH1412A	13.75 x 11.60	(R)VJ1412
VFPH1614A	15.75 x 13.60	(R)VJ1614
VFPH1816A	17.75 x 15.60	(R)VJ1816

Front panels also available without hinge (remove H from part number).

**Back Panels**

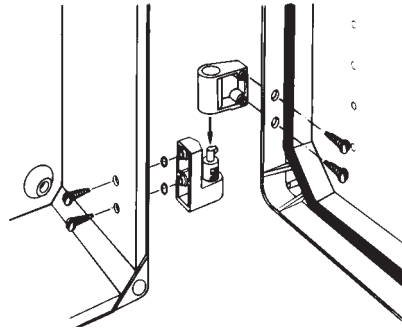
Part Number*	Panel Size	Enclosure
MP606*	4.88 x 4.88	VJ606
MP806*	6.75 x 4.88	VJ806
MP1008*	8.75 x 6.88	(R)VJ1008
MP1210*	10.75 x 8.88	(R)VJ1210
MP1412*	12.75 x 10.88	(R)VJ1412
MP1614*	14.75 x 12.88	(R)VJ1614
MP1816*	16.75 x 14.88	(R)VJ1816

**Back Panel Stand-Offs  
10-32 Thread**

Part Number	L
SO-05	.50
SO-10	1.00
SO-20	2.00
SO-35	3.50
SO-40	4.00

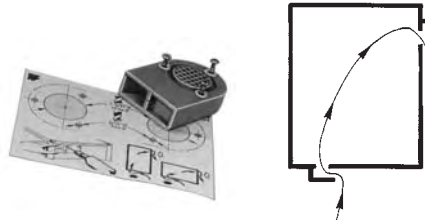
\* COMPLETE YOUR PART NUMBER WITH ONE OF THE FOLLOWING:

- S painted steel back panel (.060" material thickness)
- A aluminum back panel (.080" material thickness)
- N non-metallic back panel (.187" material thickness)



**Hinges . . . . . VJNMH**

VJ series non-metallic hinges allow the cover to open at an angle exceeding 180°. The cover can be lifted off and reinstalled without the use of a tool, which substantially reduces the operations within the cover (lift off optional upon request). By simply adjusting one of the pivot parts, the cover becomes unremovable.



**Air Vents . . . . . MEDV**

Two air vents must be mounted per enclosure to ensure sufficient air circulation and prevent condensation. Preferably, air vents are mounted in the upper and lower part of the box. Sold in pairs, complete with template and screws. UL listed if factory installed.



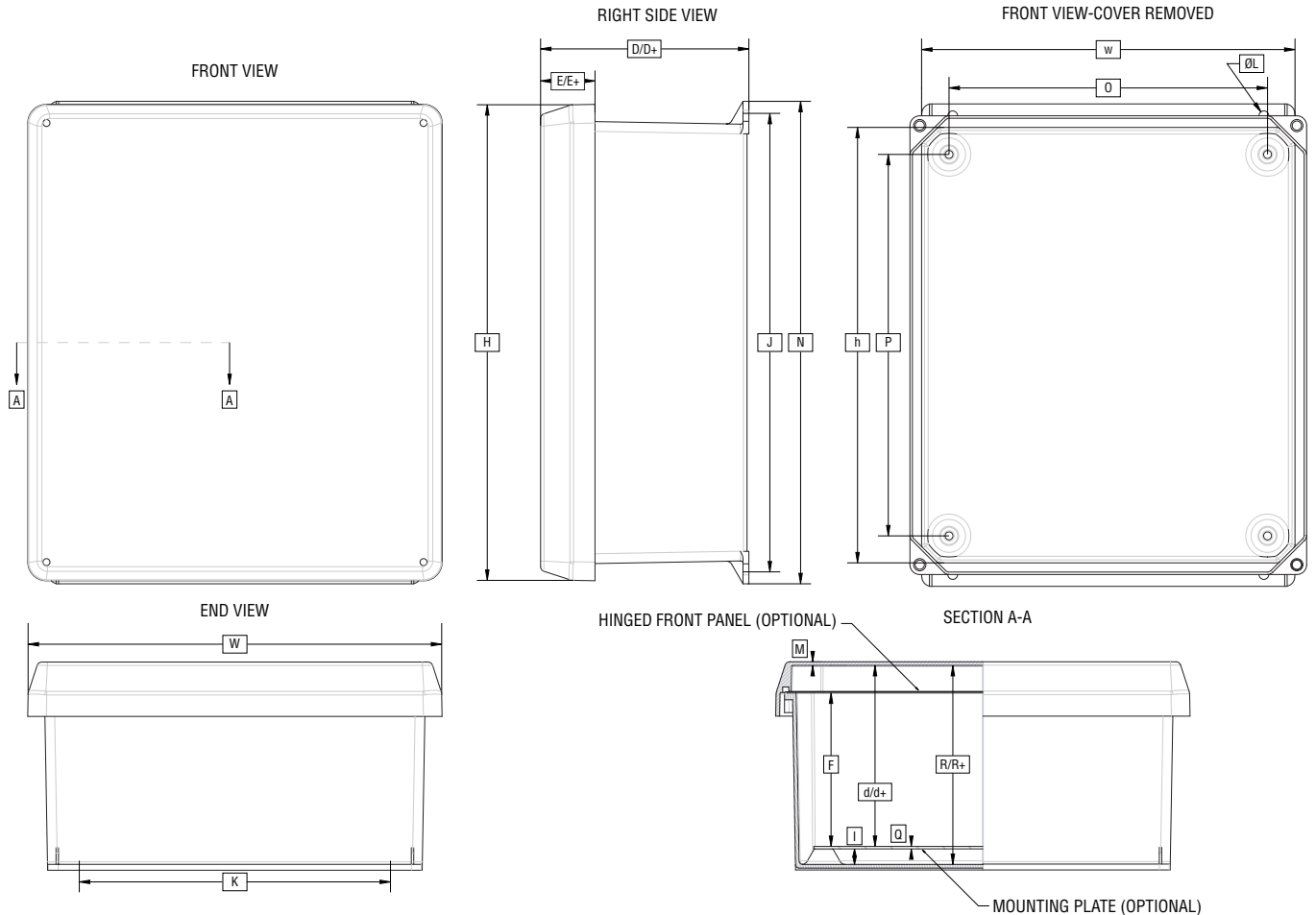
**Optional Twist Latch . . . . . VJLL**



**Standard Padlockable Latch . . VJPL**



**Optional Twist Padlockable Latch VJTPL**

**VJ SERIES | DIMENSIONS**


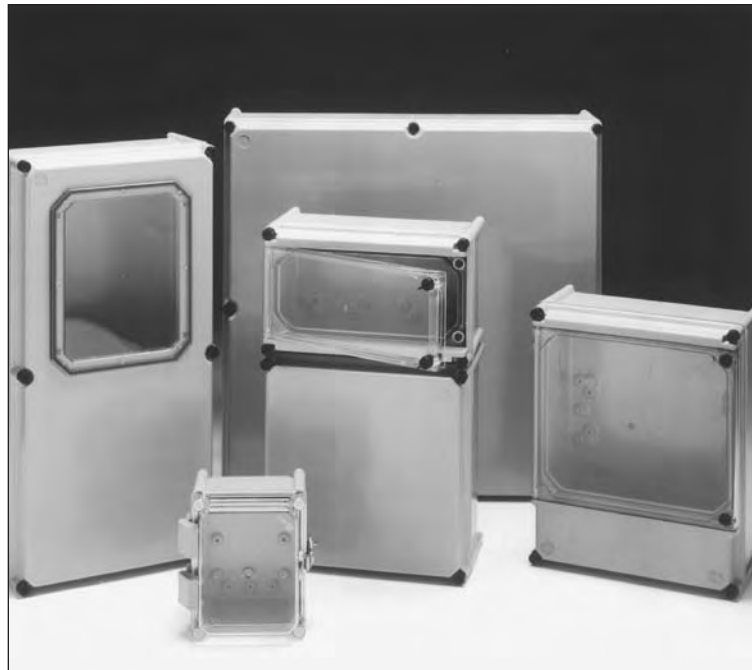
Dimension	VJ606	VJ806	VJ1008	VJ1210	VJ1412	VJ1614	VJ1816
H	7.31	9.31	11.31	13.31	15.32	17.31	19.31
W	7.31	7.31	9.31	11.31	13.30	15.31	17.31
D*	4.96	4.96	5.43 (6.93)	5.59 (7.09)	6.70 (8.19)	6.69 (8.19)	9.57 (11.06)
h	6.00	8.00	10.00	12.00	14.00	16.00	18.00
w	6.00	6.00	8.00	10.00	12.00	14.00	16.00
d*	4.21	4.21	4.69 (6.18)	4.84 (6.34)	5.82 (7.31)	5.82 (7.31)	8.69 (10.19)
Latch Spacing	Centered	Centered	Centered	7.09	9.56	9.56	11.25 (14.75)
E	1.38	1.38	1.62 (3.13)	1.62 (3.13)	1.75 (3.25)	1.75 (3.25)	1.75 (3.23)
F	3.76	3.76	4.01	4.13	4.92	5.01	7.89
I	0.37	0.37	0.37	0.37	0.50	0.50	0.50
J	6.75	8.75	10.75	12.76	14.75	16.75	18.75
K	4.00	4.00	6.00	8.00	10.00	12.01	12.01
L	0.31	0.31	0.31	0.31	0.31	0.31	0.31
M	0.12	0.12	0.12	0.12	0.12	0.12	0.12
N	7.50	9.50	11.50	13.50	15.51	17.52	19.49
O	4.25	4.25	6.24	8.25	10.24	12.24	14.25
P	4.25	6.26	8.25	10.26	12.26	14.25	16.26
Q	0.08	0.08	0.08	0.08	0.08	0.08	0.08
R*	4.67	4.67	5.14 (6.63)	5.30 (6.79)	6.40 (7.89)	6.40 (7.89)	9.27 (10.73)

\* Special RVJ dimensions are noted parenthetically when applicable.

## APO SERIES

### FEATURES

- The APO series consists of nine box sizes from 7" x 6" to 24" x 24" with varying depths
- All APO enclosures have the capacity to be horizontally or vertically coupled
- Bases are gray (RAL 7036) and are hot compression molded with fiberglass reinforced polyester (FRP)
- Covers are made of either clear polycarbonate or opaque gray (RAL 7036) hot compression molded fiberglass reinforced polyester
- Cover screws are fiberglass reinforced polyamide (FRP)
- Large APO enclosures are maintenance free and corrosion resistant
- APO enclosures are suitable for wall or pole mounting
- Enclosures may be easily modified with conventional tools such as a drill, milling equipment, saw or punch
- APO enclosures are capable of withstanding continuous temperatures up to 302°F (150°C)
- Clear polycarbonate covers are able to resist temperatures of up to 248°F (120°C)
- APO enclosures provide protection for equipment and operators from indirect electrical contact



### APPLICATIONS

Designed for use as insulated electrical junction boxes, terminal wiring boxes, instrument housings, and electrical control enclosures in highly corrosive environments. Ideal for use in most petrochemical plants, sewage plants, electroplating plants, etc. where enclosure may be subject to occasional submersion. Clear polycarbonate cover provides easy visual inspection of interior components.

### STANDARDS

- IEC 439-1
- IEC 529 - Rated IP67-11
- EN 60439-1
- EN60529
- CSA Certified per C22.2 No. 94

### APPROVALS

- UL 508A/Types 3, 3R, 4, 4X, 12 & 13
- CSA
- AS Australian Standards 3131-1991
- EExeII, NIEB 88B.102.698 U
- LLOYD'S Register of Shipping
- BASEEFA

### ACCESSORIES

- Back panels
- Extension and coupling collars
- Wall mounting brackets
- Dead front panel
- Stainless steel and non-metallic hinges
- Stainless steel latches
- DT covers are UL recognized



## APO SERIES

### Basic Style (FRP Cover)



Part Number	Weight <sup>4</sup>	Inside Dimension			Suffixes				
		H	W	D					
A1-706	2.50	6.54	5.12	4.52	H	HPL1	E1 <sup>3</sup>	E1H <sup>3</sup>	E1HPL1 <sup>3</sup>
A31-1207	4.00	11.06	5.64	5.85	H	HPL2	E1 <sup>3</sup>	E1H <sup>3</sup>	E1HPL2 <sup>3</sup>
A41-1212	5.00	11.06	11.06	5.85	H	HPL2	E1 <sup>3</sup>	E1H <sup>3</sup>	E1HPL2 <sup>3</sup>
A71-1412	6.00	13.80	11.06	5.85	H	HPL2	E1 <sup>3</sup>	E1H <sup>3</sup>	E1HPL2 <sup>3</sup>
A51-1912	7.50	18.30	11.06	5.85	H	HPL2	NA	NA	NA
A81-2212	9.50	21.10	11.06	5.85	H	HPL2	E1 <sup>3</sup>	E1H <sup>3</sup>	E1HPL2 <sup>3</sup>
A61-2412	10.00	22.80	11.06	5.85	H	HPL2	E1 <sup>3</sup>	E1H <sup>3</sup>	E1HPL2 <sup>3</sup>
A11-2414	11.80	22.80	13.80	5.85	H	HPL2	E1 <sup>3</sup>	E1H <sup>3</sup>	E1HPL2 <sup>3</sup>
A12-2424	17.50	22.80	22.80	5.85	H	HPL4	E1 <sup>3</sup>	E1H <sup>3</sup>	E1HPL2 <sup>3</sup>

Hinges are non-metallic installed on long side.

### CT Style (Clear Cover)



Part Number	Weight <sup>4</sup>	Inside Dimension			Suffixes				
		H	W	D					
A1-706CT	1.87	6.54	5.12	4.52	H	HPL1	E1* <sup>3</sup>	E1*H <sup>3</sup>	E1*HPL1 <sup>3</sup>
A31-1207CT	3.50	11.06	5.64	5.85	H	HPL2	E1* <sup>3</sup>	E1*H <sup>3</sup>	E1*HPL2 <sup>3</sup>
A41-1212CT	4.60	11.06	11.06	5.85	H	HPL2	E1* <sup>3</sup>	E1*H <sup>3</sup>	E1*HPL2 <sup>3</sup>
A71-1412CT	5.50	13.80	11.06	5.85	H	HPL2	E1* <sup>3</sup>	E1*H <sup>3</sup>	E1*HPL2 <sup>3</sup>
A51-1912CT	7.50	18.30	11.06	7.24	H	HPL2	NA	NA	NA
A81-2212CT	8.80	21.10	11.06	7.24	H	HPL2	E1* <sup>3</sup>	E1*H <sup>3</sup>	E1*HPL2 <sup>3</sup>
A61-2412CT	9.00	22.80	11.06	7.24	H	HPL2	E1* <sup>3</sup>	E1*H <sup>3</sup>	E1*HPL2 <sup>3</sup>
A11-2414CT	10.80	22.80	13.80	7.24	H	HPL2	E1* <sup>3</sup>	E1*H <sup>3</sup>	E1*HPL2 <sup>3</sup>
A12-2424CT	16.80	22.80	22.80	7.24	H	HPL4	E1* <sup>3</sup>	E1*H <sup>3</sup>	E1*HPL2 <sup>3</sup>

Hinges are non-metallic installed on long side.

### PART NUMBER SUFFIXES

- H** hinged
- HPL<sup>†</sup>** hinged w/pad-lockable latch(es)
- E1<sup>\*\*</sup>** w/extension collar(s)
- E1H<sup>\*\*</sup>** hinged w/extension collar(s)
- E1HPL1<sup>†\*\*</sup>** hinged w/pad-lockable latch(es) and extension collar(s)

<sup>†</sup> One (HPL1), two (HPL2) or four (HPL4) latches available according to part number chart.

<sup>\*\*</sup> One (E1), two (E2), three (E3), four (E4) or five (E5) extension collars may be ordered with enclosure while retaining UL Type 4X rating.

### DT Style (Clear Door in Cover)

Part Number	Weight <sup>4</sup>	Inside Dimension			Suffixes		
		H	W	D			
A31-1207DT	4.40	11.06	5.64	5.85	H	E1* <sup>3</sup>	E1*H <sup>3</sup>
A41-1212DT	5.50	11.06	11.06	5.85	H	E1* <sup>3</sup>	E1*H <sup>3</sup>
A71-1412DT	6.90	13.80	11.06	5.85	H	E1* <sup>3</sup>	E1*H <sup>3</sup>
A51-1912DT	8.70	18.30	11.06	5.85	H	NA	NA
A61-2412DT	10.30	22.80	11.06	5.85	H	E1* <sup>3</sup>	E1*H <sup>3</sup>

Hinges are stainless steel corner-mounted wing type installed on long side.

Clear door is hinged on 7" side on A31 units. All others open right to left as standard.



### Flanged DT Style

Part Number	Weight	Inside Dimension		
		H	W	D
A71-1412FDT <sup>1</sup>	6.00	11.06	13.80	5.90
A11-2412FDT <sup>2</sup>	12.00	22.80	13.80	8.67

<sup>1</sup> Flange is 3 inches located across the bottom of the enclosure.

<sup>2</sup> Flange is 2 inches located along the right side of enclosure. Cover hinges are non-metallic.

<sup>3</sup> E1 through E5 in model number indicates depths greater than shown in table, achieved using depth extension collar(s).

<sup>4</sup> Weight fluctuates with addition of extension collar(s).

\* Remove CT or DT from part number and insert in place of the \* (A1-706E1CT).



## APO SERIES | ACCESSORIES



### Depth Extension Collars

Part Number	Collar Depth
A1-EXT706	1.38
A31-EXT1207	1.38
A41-EXT1212	1.38
A71-EXT1412	1.38
A51-EXT1912	N/A
A81-EXT2212	2.36
A61-EXT2412	2.36
A11-EXT2414	2.36
A12-EXT2424	2.36

Collars are not assembled unless covers are hinged. Mounting feet must be specified when collars are factory assembled. UL listing is maintained when extension collars are field or factory installed (maximum of 5 collars).

### Clear Covers

Part Number	Size	Cover
A1-CT Cover	7.32 x 5.94	1.77
A31-CT Cover	11.88 x 7.32	1.77
A41-CT Cover	11.88 x 11.88	1.77
A71-CT Cover	14.62 x 11.88	1.77
A51-CT Cover	19.20 x 11.88	3.15
A81-CT Cover	21.93 x 11.88	3.15
A61-CT Cover	23.78 x 11.88	3.15
A11-CT Cover	23.78 x 14.68	3.15
A12-CT Cover	23.78 x 23.78	3.15

To be mounted on a flat surface providing visibility to enclosed controls, gauges and indicator lights.

### DT Covers

Part Number	Size	Cover
A31-DT Cover	11.88 x 7.32	1.77
A41-DT Cover	11.88 x 11.88	1.77
A71-DT Cover	11.88 x 14.68	1.77
A51-DT Cover	11.88 x 19.20	1.77
A61-DT Cover	11.88 x 23.78	1.77

Hinged clear cover mounts on flat surface providing visibility and access to enclosed controls. UL recognized.

### Flanged DT Covers

Part Number	Size	Cover
A71-FDT Cover	11.88 x 14.68	1.77
A11-FDT Cover	23.78 x 14.68	4.53

### Back Panels

### Front Panels (.080" aluminum)

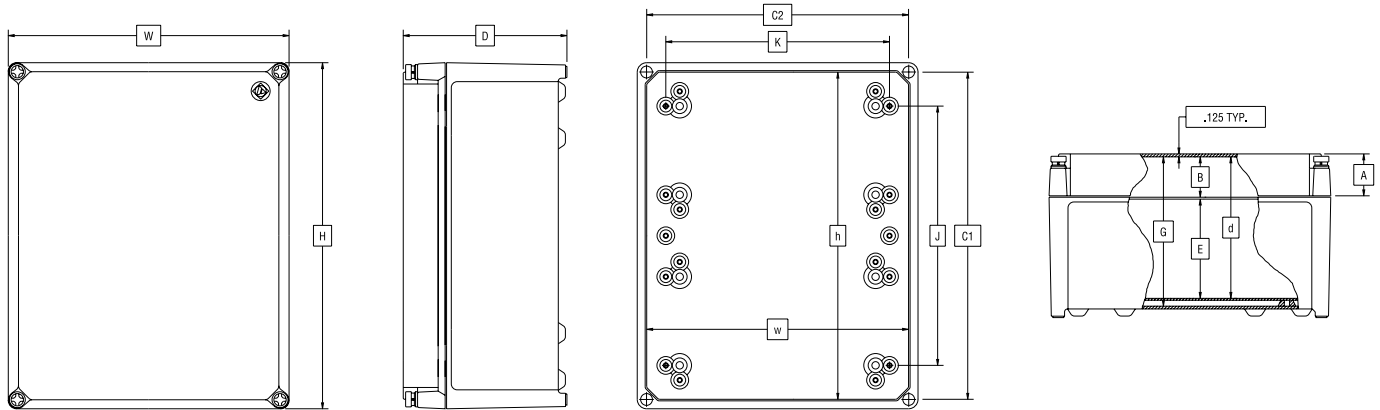
Enclosure Type	Part Number	Panel Size	Hinged Part Number	Panel Size	DT Part Number	Flanged DT Part Number
A1	BP706*	5.50 X 4.50	FPH706A	6.30 X 4.90		
A31	BP1207*	9.00 X 5.50	FPH1207A	10.80 X 6.30	AFP1207A	
A41	BP1212*	10.00 X 9.00	FPH1212A	10.80 X 10.80	AFP1212A	
A71	BP1412*	12.00 X 10.00	FPH1412A	13.60 X 10.80	AFP1412A	AFP1412A
A51	BP1912*	17.00 X 10.50	FPH1912A	18.10 X 10.80	AFP1912A	
A81	BP2212*	19.00 X 12.00	FPH2212A	21.20 X 10.80		
A61	BP2412*	21.00 X 10.00	FPH2412A	22.60 X 10.80	AFP2412A	
A11	BP2414*	21.00 X 12.75	FPH2414A	22.60 X 13.50		AFP2412FA
A12	BP2424*	21.88 X 21.88	FPH2424A	22.60 X 22.60		

**\* COMPLETE YOUR PART NUMBER WITH ONE OF THE FOLLOWING:**

- S painted steel back panel (.060" material thickness)
- A aluminum back panel (.080" material thickness)
- N non-metallic back panel (.187" material thickness)

### Back Panel Stand-Offs/M4 Thread

Pt. Number	Depth (Inches)	Pack Qty.
10.002	.39	4
15.002	.59	4
20.002	.79	4
25.002	.98	4
30.002	1.18	4
60.002	2.36	4
97.002	3.81	4

**APO SERIES | DIMENSIONS**


Type	Dimension													
	H	W	D <sup>1</sup>	h	w	d <sup>1</sup>	A	B	C1	C2	E	G <sup>1</sup>	J	K
A1	7.32	5.94	5.50 (6.89)	6.54	5.12	4.52 (5.91)	1.77	1.65	6.54	5.15	2.79	4.91 (6.49)	3.54	3.74
A31	11.88	7.32	6.88 (8.27)	11.06	5.64	5.85 (7.23)	1.77	1.65	11.06	6.54	4.12	6.37 (7.82)	4.92	8.27
A41	11.88	11.88	6.88 (8.27)	11.06	11.06	5.85 (7.23)	1.77	1.65	11.06	11.06	4.12	6.37 (7.82)	9.45	8.27
A71	14.62	11.88	6.88 (8.27)	13.80	11.06	5.85 (7.23)	1.77	1.65	13.80	11.06	4.12	6.37 (7.82)	9.45	11.02
A51	19.20	11.88	6.88	18.30	11.06	5.85	1.77	1.65	18.30	11.06	4.12	6.37	9.45	15.59
A81	21.93	11.88	6.88 (9.25)	21.10	11.06	5.85 (8.23)	1.77	1.65	21.10	11.06	4.12	6.37 (8.81)	9.45	18.35
A61	23.78	11.88	6.88 (9.25)	22.80	11.06	5.85 (8.23)	1.77	1.65	22.80	11.06	4.12	6.37 (8.81)	9.45	21.12
A11	23.78	14.68	6.88 (9.25)	22.80	13.80	5.85 (8.23)	1.77	1.65	22.80	13.80	4.12	6.37 (8.81)	12.20	20.12
A12	23.78	23.78	6.88 (9.25)	22.80	22.80	5.85 (8.23)	1.77	1.65	22.80	22.80	4.12	6.37 (8.81)	21.30	20.12

Type	Dimension													
	H	W	D <sup>1</sup>	h	w	d <sup>1</sup>	A	B	C1	C2	E	G <sup>1</sup>	J	K
A1CT	7.32	5.94	5.50 (6.88)	6.54	5.12	4.52 (5.90)	1.77	1.65	6.54	5.15	2.79	4.91 (6.30)	3.54	3.74
A31CT	11.88	7.32	6.88 (8.26)	11.06	5.64	5.85 (7.28)	1.77	1.65	11.06	6.54	4.12	6.32	4.92	8.27
A41CT	11.88	11.88	6.88 (8.26)	11.06	11.06	5.85 (7.28)	1.77	1.65	11.06	11.06	4.12	6.32	9.45	8.27
A71CT	14.62	11.88	6.88 (8.26)	13.80	11.06	5.85 (7.28)	1.77	1.65	13.80	11.06	4.12	6.32	9.45	11.02
A51CT	19.20	11.88	8.27	18.30	11.06	7.24	3.15	3.05	18.30	11.06	4.12	7.68	9.45	15.59
A81CT	21.93	11.88	8.27 (10.63)	21.10	11.06	7.24 (9.65)	3.15	3.05	21.10	11.06	4.12	7.68 (10.04)	9.45	18.35
A61CT	23.78	11.88	8.27 (10.63)	22.80	11.06	7.24 (9.65)	3.15	3.05	22.80	11.06	4.12	7.68 (10.04)	9.45	21.12
A11CT	23.78	14.68	8.27 (10.63)	22.80	13.80	7.24 (9.65)	3.15	3.05	22.80	13.80	4.12	7.68 (10.04)	12.20	20.12
A12CT	23.78	23.78	8.27 (10.63)	22.80	22.80	7.24 (9.65)	3.15	3.05	22.80	22.80	4.12	7.68 (10.04)	21.30	20.12

Type	Dimension													
	H	W	D <sup>1</sup>	h	w	d <sup>1</sup>	A	B	C1	C2	E	G	J	K
A31DT	11.88	7.32	6.88 (8.26)	11.06	5.64	5.85 (7.28)	1.77	1.65	11.06	6.54	4.12	6.37	4.92	8.27
A41DT	11.88	11.88	6.88 (8.26)	11.06	11.06	5.85 (7.28)	1.77	1.65	11.06	11.06	4.12	6.37	9.45	8.27
A71DT	14.62	11.88	6.88 (8.26)	13.80	11.06	5.85 (7.28)	1.77	1.65	13.80	11.06	4.12	6.37	9.45	11.02
A51DT	19.20	11.88	6.88	18.30	11.06	5.85	1.77	1.65	18.30	11.06	4.12	6.37	9.45	15.59
A61DT	23.78	11.88	6.88 (9.24)	22.80	11.06	5.85 (8.26)	1.77	1.65	22.80	11.06	4.12	6.37	9.45	21.12
A71FDT	11.88	14.68	6.88	11.06	13.80	5.90	1.77	1.65	11.06	13.80	4.12	6.37	9.45	11.02
A11FDT	23.78	14.68	9.62	22.80	13.80	8.67	4.53	4.37	22.80	13.80	4.12	9.06	20.12	20.69

<sup>1</sup> Parenthetical notations indicate depths with one extension collar added.

• Hinges, when used, project 5/8".

**ARIA SERIES**



**FEATURES**

- Available in seven sizes, ranging from 12" x 8" to 40" x 32"
- Cabinets are made of beige (RAL 7035) hot compression molded fiberglass reinforced polyester, dyed in mass
- Enclosures are self-extinguishing, halogen-free, maintenance free and corrosion resistant

- Temperature resistance: -58°F to +302°F (-50°C to +150°C), momentary +392°F (200°C)
- Enclosures come standard with four threaded studs and bolts for mounting plate or mounting frame installation
- Concealed hinge design
- Semi-flush 1/4 turn latch with 3 point latching mechanism
- Enclosure provides double insulation and a protection degree of IP66-9 following IEC 529 and CENELEC EN 60529 UL/CSA listed NEMA 4X
- Optimum seals are obtained by the use of molded-in channels in conjunction with seamless foamed polyurethane or neoprene gaskets




**APPLICATIONS**

Contoured body provides an attractive and contemporary appearance. Enclosures can be used as insulated electrical junction boxes, terminal wiring boxes, instrument housings and as housings for electrical controls in wet, dusty and corrosive environments.

**STANDARDS**

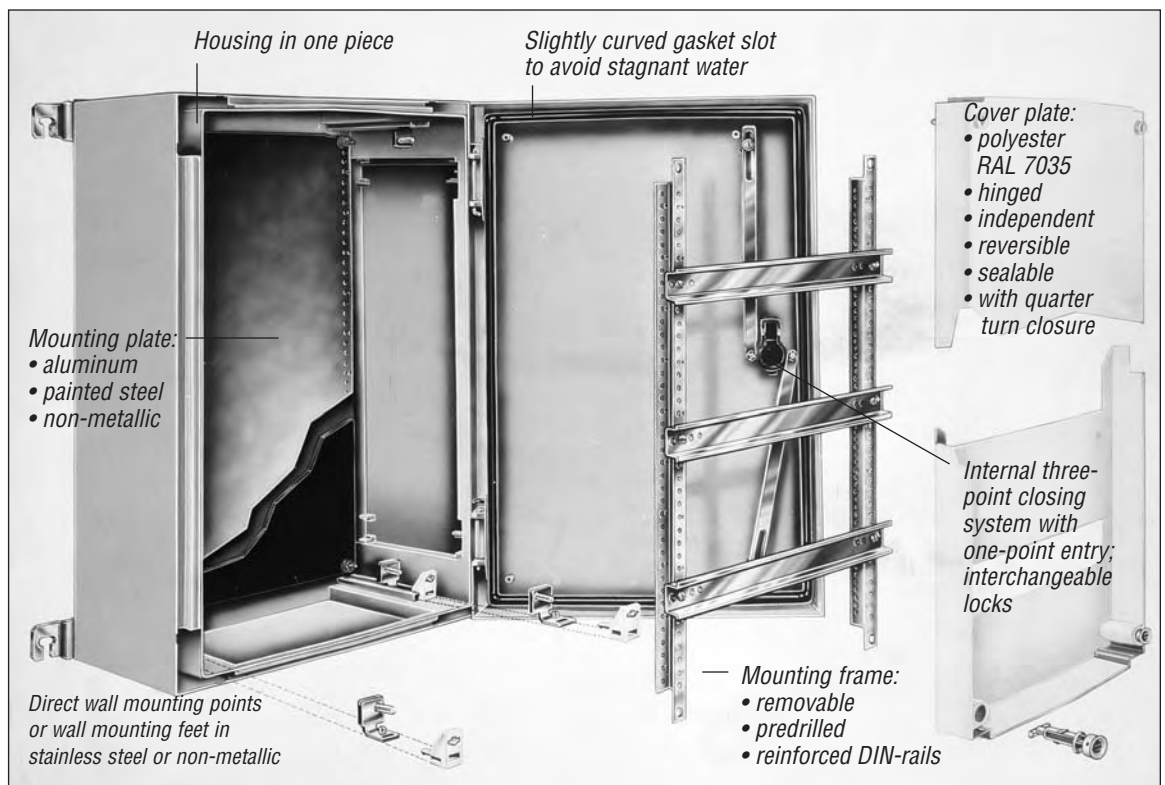
- IEC 439-1
- IEC 529 Rated IP66-9
- EN 60439-1
- EN 60529

**APPROVALS**

-  UL types 3, 3R, 3S, 4, 4X, 12 and 13 per UL 508A
-  CSA types 2, 3, 3R, 3S, 4, 4X, 12 and 13
-  AS 3132 - 1991

**ACCESSORIES**

- Back panels
- Hinged dead front panel
- DIN rail mounting system
- Wall mounting brackets
- Print pocket
- Locking handle
- Ventilators



**ARIA SERIES | ACCESSORIES**

**Enclosure with Slotted Quarter-Turn Latch**

Features internal three-point closing system with one-point entry. Padlockable latches available (see below).

Gasketed window area (G) made of Lexan sealed with neoprene gasket.

Part Number	Outside Dimension			Inside Dimension			Weight
	H	W	D	h	w	d	
AN*1208†	12.40	8.46	6.69	10.83	6.69	5.83	5.25
AN*1612†	16.34	12.40	6.69	14.76	10.63	5.83	8.12
AN*2016	20.28	16.34	9.06	18.70	14.57	8.11	14.13
AN*2416	24.21	16.34	9.06	22.64	14.57	8.11	16.11
AN*2820	28.94	21.06	10.63	26.57	18.50	9.68	26.23
AN*3325	32.87	25.00	11.81	30.51	22.44	10.86	35.76
AN*4032	40.75	32.87	11.81	38.39	30.31	10.86	51.00

\* **COMPLETE YOUR PART NUMBER WITH ONE OF THE FOLLOWING:**  
 (nothing) for standard door  
 G for gasketed window  
 B for bonded window (UL listed for Type 4X; UL file #E54315)

Add suffix HKL for keylock handle.

† Indicates single point closing system.


**Enclosure with Quick Release Twist-Type Latches**

Gasketed window area (G) made of Lexan sealed with neoprene gasket.

Part Number	Outside Dimension			Inside Dimension			Weight
	H	W	D	h	w	d	
AN*1208PL	12.40	8.46	6.69	10.83	6.69	5.83	5.25
AN*1612PL	16.34	12.40	6.69	14.76	10.63	5.83	8.12
AN*2016PL	20.28	16.34	9.06	18.70	14.57	8.11	14.13
AN*2416PL	24.21	16.34	9.06	22.64	14.57	8.11	16.11
AN*2820PL	28.94	21.06	10.63	26.57	18.50	9.68	26.23
AN*3325PL	32.87	25.00	11.81	30.51	22.44	10.86	35.76
AN*4032PL	40.75	32.87	11.81	38.39	30.31	10.86	51.00

\* **COMPLETE YOUR PART NUMBER WITH ONE OF THE FOLLOWING:**  
 (nothing) for standard door  
 G for gasketed window  
 B for bonded window (UL listed for Type 4X; UL file #E54315)

**Back Panels**

Enclosure Type	Part Number	Panel Size	Part Number <sup>1</sup>	Panel Size	Maximum Window Size
AN1208	ABP1208*	9.84 X 5.91	AFP1208*	10.98 X 6.38	N/A
AN1612	ABP1612*	13.78 X 9.84	AFP1612*	14.92 X 10.31	12.00 X 6.00
AN2016	ABP2016*	17.72 X 13.78	AFP2016*	18.86 X 14.25	16.00 X 10.00
AN2416	ABP2416*	21.65 X 13.78	AFP2416*	22.80 X 14.25	20.00 X 10.00
AN2820	ABP2820*	25.98 X 17.72	AFP2820*	27.17 X 18.19	24.00 X 14.00
AN3325	ABP3325*	29.53 X 21.65	AFP3325*	31.10 X 22.13	28.00 X 18.00
AN4032	ABP4032*	37.40 X 29.53	AFP4032*	38.98 X 30.00	36.00 X 26.00

**Front Panels**

\* **COMPLETE YOUR PART NUMBER WITH ONE OF THE FOLLOWING:**  
 S painted steel panel (back panels only; .060" material thickness)  
 A aluminum panel (.080" material thickness)  
 N non-metallic panel (.187" material thickness)

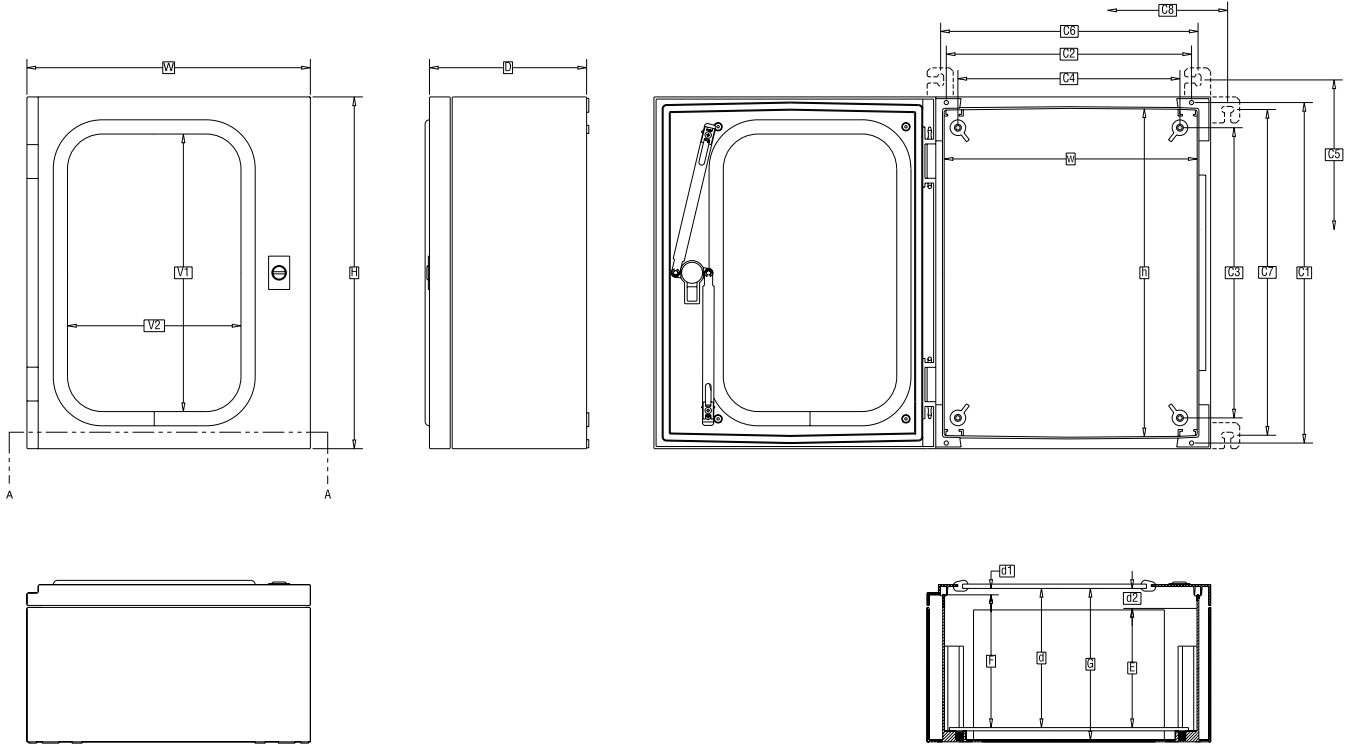
<sup>1</sup> Standard front panels are not designed to accommodate added weight. Consult factory for applications requiring a load bearing front panel.

Standard and custom window options are also available.  
 Contact your Vynckier sales representative for size and pricing information.

**Accessories**

Small Handle	A-HN	Hinges for Front Panel	AFPH	Louver	VL
Small Keylock Handle	A-HKL	DIN Rail Mounting Frame	Contact Factory	Back Panel Depth Adjusters	ABP-DA
Semi-Flush Handle	A-HNM	Medium Drain/Ventilator	MEDV	Stainless Steel Mounting Feet	AN-MFSS
Semi-Flush Keylock Handle	A-HNMKL	Round Ventilator	RDV	Non-Metallic Mounting Feet	AN-NWF
Semi-Flush Padlockable Handle	A-HNMPL	Small Drain/Ventilator	SEDV	Print Pocket	1021.020

## ARIA SERIES | DIMENSIONS



	Dimension	AN1208	AN1612	AN2016	AN2416	AN2820	AN3325	AN4032
<b>Outside Dimension</b>	H	12.40	16.34	20.28	24.21	28.94	32.87	40.75
	W	8.46	12.40	16.34	16.34	21.06	25.00	32.87
	D	6.69	6.69	9.06	9.06	10.63	11.81	11.81
<b>Inside Dimension</b>	h	10.82	14.76	18.70	22.64	26.57	30.51	38.39
	w	6.69	10.63	14.57	14.57	18.50	22.44	30.31
	d	5.83	5.83	8.11	8.11	9.68	10.86	10.86
<b>User Space (Door)</b>	S1	7.75	10.00	14.00	18.00	22.00	26.00	33.75
	S2	5.25	9.25	13.00	13.00	16.75	21.00	27.25
	S3	7.75	11.75	15.25	19.00	23.00	27.00	34.00
	S4	2.75	5.25	9.25	9.25	13.00	17.25	25.00
<b>User Depth Space</b>	d1	0.50	0.35	0.35	0.35	0.50	0.35	0.55
	d2	1.35	1.20	1.17	1.17	1.65	1.50	1.65
	E	4.60	4.55	6.87	6.87	8.10	9.25	9.30
	F	5.40	5.40	7.70	7.70	9.25	10.45	10.45
	G	6.38	6.38	8.72	8.72	10.30	11.48	11.48
<b>Mounting Hole Centers</b>	C1	11.61	15.55	19.49	23.43	NA	NA	NA
	C2	6.10	10.04	13.98	13.98	NA	NA	NA
	C3	8.86	12.80	16.73	20.67	24.61	28.54	36.42
	C4	4.92	8.86	12.80	12.80	16.73	20.67	28.54
	C5	14.25	18.19	22.13	26.06	30.79	34.72	42.60
	C6	6.38	10.31	14.25	14.25	18.97	22.91	30.78
	C7	10.31	14.25	18.19	22.13	26.85	30.78	38.66
	C8	10.31	14.25	18.19	18.90	22.91	26.85	34.72

## GREATER DEPTH SUPERPOLYREL 16" SERIES



### FEATURES

- The Superpolyrel series consists of nine cabinets ranging from 20" x 30" to 50" x 40"
- Cabinets are self-extinguishing, hot molded halogen-free fiberglass reinforced polyester
- Gray dyed in mass (RAL 7036)
- Designed to be wall-mounted or free-standing
- May be coupled in height, width and depth while retaining UL listing
- Temperature resistant from a constant -58°F to +302°F (-50°C to +150°C), and momentary to +392°F (200°C)
- Door features 5-point latching mechanism
- All factory-assembled units maintain total insulation and have been tested to IP65-11 (IEC 529) and CENELEC EN60529
- Maintenance-free and corrosion resistant
- For indoor and outdoor applications
- Available with floor mounting pads

### APPLICATIONS

This stylized, world-class enclosure is a highly effective corrosion-resistant housing for electrical and electronic controls. The enclosure provides outstanding protection

against atmospheric and marine corrosion in indoor and outdoor settings including petrochemical plants, water treatment facilities and electroplating plants. Window cover enclosure provides easy visual inspection of interior components.

### STANDARDS

- IEC 439-1
- IEC 529 - Rated IP65-11
- EN 60439-1
- CENELEC EN 60529

### APPROVALS

- UL types 3, 3R, 3S, 4, 4X and 12
- CSA types 2, 3, 3R, 3S, 4, 4X and 12
- LLOYD'S Register of Shipping cert. 600763/17/10/79

### ACCESSORIES

- Key-lock cylinders and padlockable handles
- Adjustable mounting hardware
- Rainhoods
- Floor pads

Part Number	Outside			Inside			Weight	Back Panel	H	W	Window*	
	H	W	D	h	w	d					H	W
SP*2030*DA	19.69	29.53	15.75	16.14	25.98	13.98	38	BP32 <sup>1</sup>	15.75	25.60	7.70	13.35
SP*3020*DA	29.53	19.69	15.75	25.98	16.14	13.98	38	BP32 <sup>1</sup>	25.60	15.75	17.50	6.50
SP*3030*DA	29.53	29.53	15.75	25.98	25.98	13.98	49	BP33 <sup>1</sup>	25.60	25.60	17.50	16.35
SP*3040*DA	29.53	39.37	15.75	25.98	35.83	13.98	57	BP43 <sup>1</sup>	25.60	35.45	16.35	27.40
SP*4030*DA	39.37	29.53	15.75	35.83	25.98	13.98	57	BP43 <sup>1</sup>	35.45	25.60	27.40	16.35
SP*4040*DA	39.37	39.37	15.75	35.83	35.83	13.98	71	BP44 <sup>1</sup>	35.45	35.45	27.40	26.25
SP*5030*DA	49.21	29.53	15.75	45.67	25.98	13.98	70	BP53 <sup>1</sup>	45.25	25.60	37.20	16.35
SP*4050/2*DA <sup>2</sup>	39.37	49.21	15.75	35.83	45.67	13.98	85	BP54 <sup>1</sup>	35.45	45.25	L: 31.20 X 13.00 R: 27.40 X 17.50	
SP*5040/2*DA <sup>2</sup>	49.21	39.37	15.75	45.67	35.83	13.98	85	BP54 <sup>1</sup>	45.25	35.45	L: 13.00 X 30.00 R: 18.00 X 26.20	

#### \* COMPLETE YOUR PART NUMBER WITH ONE OF THE FOLLOWING:

- (nothing) for standard door
- G for gasketed window
- B for bonded window (UL listed for Type 4X)

- <sup>†</sup> (nothing) for greater depth version
- E1 for one depth extension (D=27.75, d=25.98)
- E2 for two depth extensions (D=39.75, d=37.98)

- <sup>1</sup> S for painted steel back panel (special order; .060" material thickness)
- N for non-metallic back panel (.187" material thickness)
- G for galvanized steel back panel (.08" material thickness)
- A for aluminum back panel (.080" material thickness)

<sup>2</sup> Double door units are UL listed for NEMA 3, 3R, 12 and 13.

**POLYSAFE SERIES**



**FEATURES**

- The Polysafe series consists of fourteen standard sizes from 20" x 20" to 50" x 40" with a single depth of 12 1/2"
- The entire series is 4mm thick, halogen-free, hot compression molded fiberglass reinforced polyester and is self-extinguishing
- Doors and panels are RAL 7035
- Doors are mounted on internal hinges and the latches have a 5-point internal latching mechanism
- Designed to be wall-mounted or free-standing
- Features a continuously-poured polyurethane gasket
- May be horizontally or vertically coupled
- Two depth extensions may be added while retaining UL rating
- Temperature resistant from a constant 59°F to +302°F, and momentary to +392°F
- All factory-assembled units maintain total insulation and have been tested to IP65-1K10 (20J) acc; to IEC 60529 and CENELEC EN50102
- Maintenance-free and corrosion resistant
- Ideal for both indoor and outdoor applications

**APPLICATIONS**

The Polysafe is highly effective at resisting corrosion. Vynckier's in-mold coating procedure assures extended performance in greater than normal exposure to UV rays.

**STANDARDS**

- IEC 439-1
- IEC 529 - Rated IP65-11
- EN 60439-1
- CENELEC EN 60529

**APPROVALS**

- UL types 3, 3R, 3S, 4, 4X and 12
- CSA types 2, 3, 3R, 3S, 4, 4X and 12
- LLOYD'S Register of Shipping cert. 600763/17/10/79
- Double door units are UL listed for Type 3, 3R, 12, 13, 4 and 4X

**ACCESSORIES**

- Key-lock cylinders and padlockable handles
- Adjustable mounting hardware for back panels
- Rainhoods
- Floor pads
- Doorstops
- 19" swing frames
- Windows



*Gasketed window UL listed for Type 4X.*



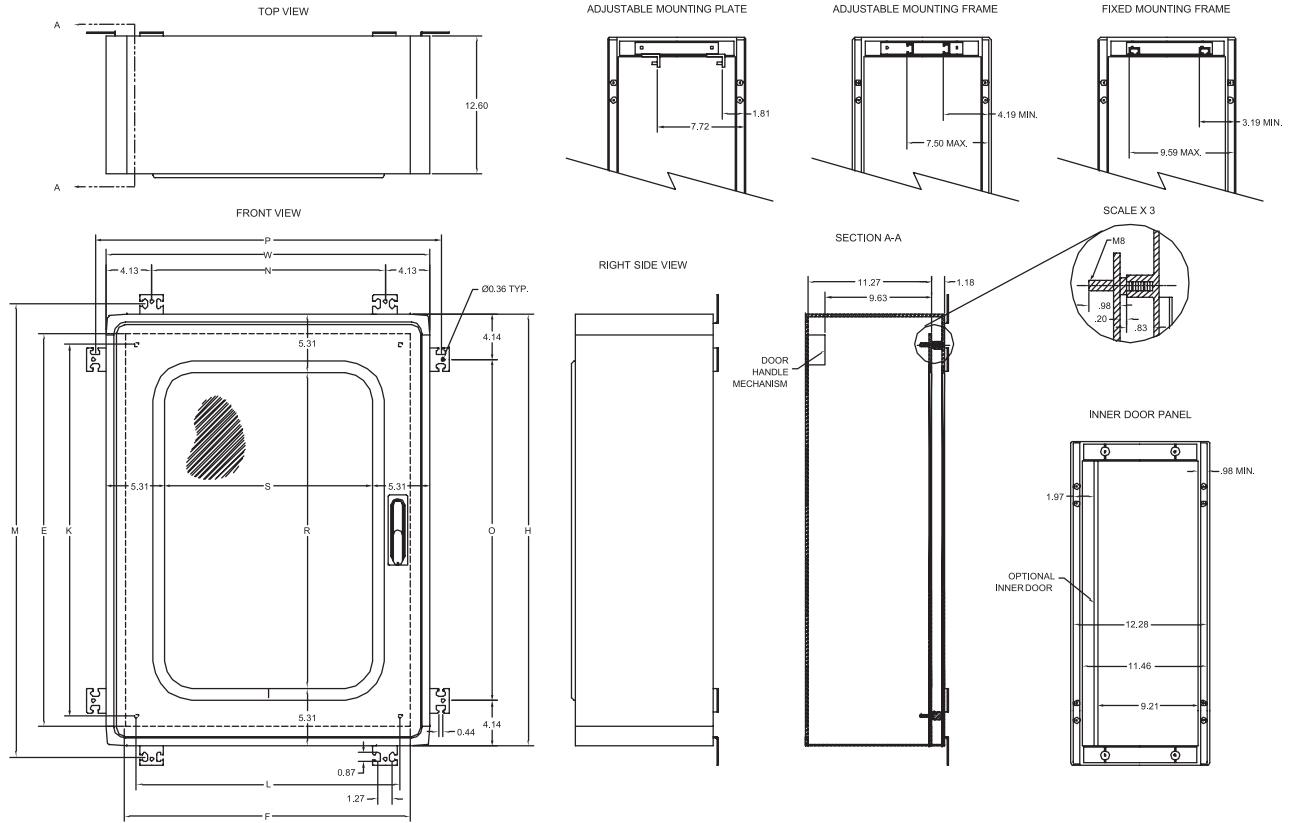
*Door with 5-point latching mechanism operated by one handle.*



*Optional inner door is constructed of fiberglass reinforced polyester.*

**Optional Inner Door . . . . . PSID\***  
\* indicate size of enclosure

## POLYSAFE SERIES



Part Number	Outside		Enclosure Opening		Weight	Wall Mount				Hole Centers		Viewing Area*	
	H	W	E	F		M	N	O	P	K	L	R	S
PS*2020A	19.70	19.70	16.14	16.14	25.00	21.65	11.42	11.42	21.65	14.17	14.17	9.06	9.06
PS*2030A	19.70	29.53	16.14	25.98	37.50	21.65	11.42	21.26	31.50	14.17	24.02	9.06	18.90
PS*3020A	29.53	19.70	25.98	16.14	37.50	31.50	11.42	21.26	21.65	24.02	14.17	18.90	9.06
PS*3030A	29.53	29.53	25.98	25.98	43.80	31.50	21.26	31.50	21.26	24.02	24.02	18.90	18.90
PS*3040A	29.53	39.37	25.98	35.83	56.00	31.50	31.10	21.26	41.34	24.02	33.86	18.90	28.74
PS*3050/2A†	29.53	49.21	25.98	45.66	69.00	31.50	40.94	21.26	51.18	24.02	43.70		
PS*4020A	39.37	19.70	35.83	16.14	43.80	41.34	11.42	31.10	21.65	33.86	14.17	28.74	9.06
PS*4030A	39.37	29.53	35.83	25.98	56.00	41.34	21.26	31.10	31.50	33.86	24.02	28.74	18.90
PS*4040A	39.37	39.37	35.83	35.83	69.60	41.34	31.10	31.10	41.34	33.86	33.86	28.74	28.74
PS*4040/2A†	39.37	39.37	35.83	35.83	69.60	41.34	31.10	31.10	41.34	33.86	33.86		
PS*4050/2A†	39.37	49.21	35.83	45.67	83.50	41.34	40.94	31.10	51.18	33.86	43.70	38.58	18.90
PS*5030A	49.21	29.53	45.67	25.98	69.00	51.18	21.26	40.94	31.50	43.70	24.02		
PS*5040/2A†	49.21	39.37	45.67	35.83	83.50	51.18	31.10	40.94	41.34	43.70	33.86		
PS*5040/2LA†	49.21	39.37	45.67	35.83	83.50	51.18	31.10	40.94	41.34	43.70	33.86		

\* COMPLETE YOUR PART NUMBER WITH ONE OF THE FOLLOWING:

- (nothing) for standard door
- G for gasketed window (UL listed for Type 4X)
- B for bonded window

† Double door units are UL listed for Type 4X.



**Standard Door**



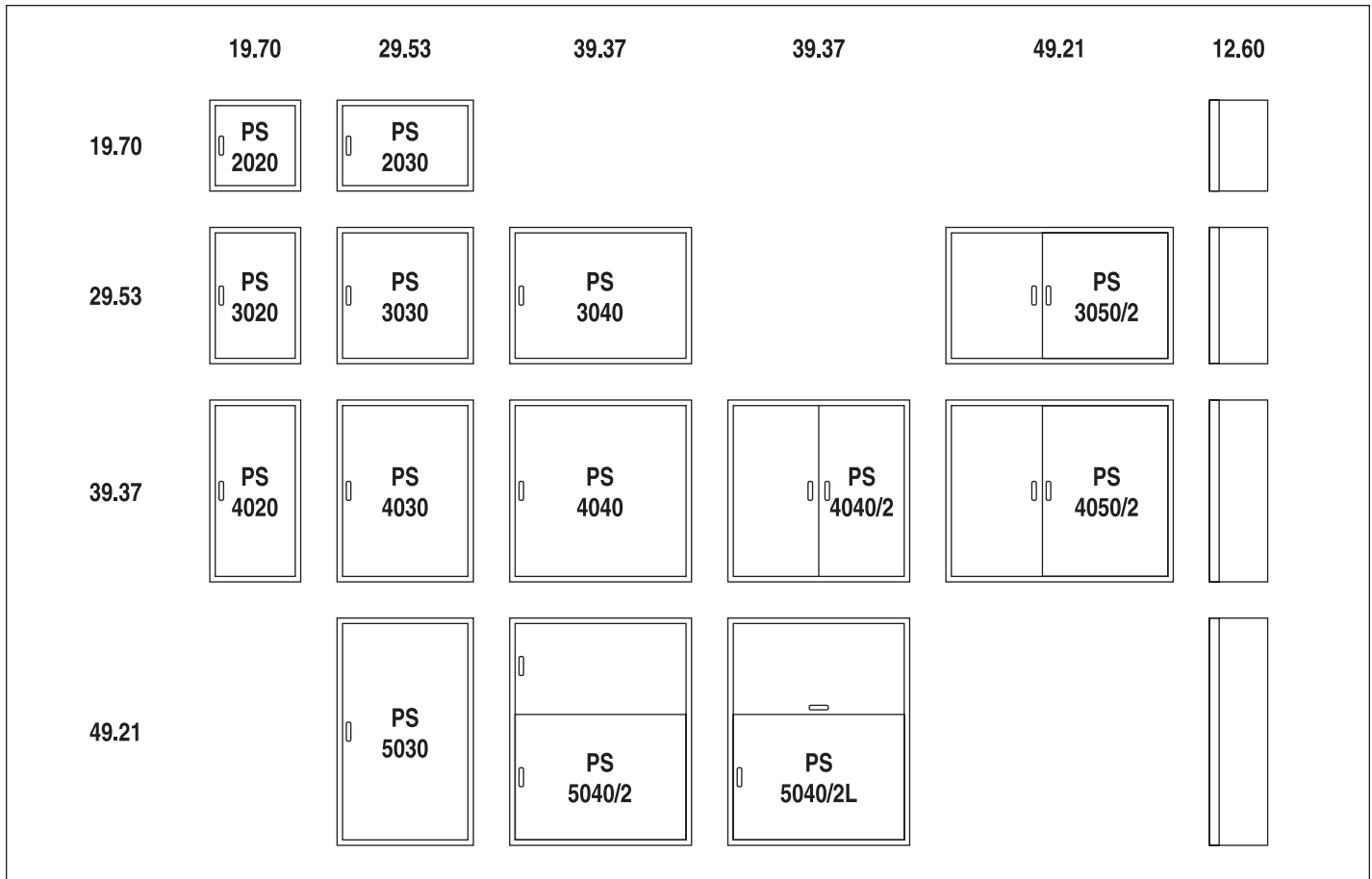
**Gasketed Window**



**Bonded Window**

**POLYSAFE SERIES**

**Polysafe Door Configurations**



**Polysafe Enclosures with One Depth Extension**

**Polysafe Enclosures with Two Depth Extensions**

Part Number	Outside			Inside			Weight	Outside			Inside			Weight
	H	W	D	h	w	d		H	W	D	h	w	d	
PS*2020*A	19.70	19.70	25.20	16.14	16.14	22.52	50.00	19.70	19.70	37.80	16.14	16.14	33.78	75.00
PS*2030*A	19.70	29.53	25.20	16.14	25.98	22.52	75.00	19.70	29.53	37.80	16.14	25.98	33.78	112.00
PS*3020*A	29.53	19.70	25.20	25.98	16.14	22.52	75.00	29.53	19.70	37.80	25.98	16.14	33.78	112.00
PS*3030*A	29.53	29.53	25.20	25.98	25.98	22.52	87.60	29.53	29.53	37.80	25.98	25.98	33.78	131.00
PS*3040*A	29.53	39.37	25.20	25.98	35.83	22.52	112.00	29.53	39.37	37.80	25.98	35.83	33.78	168.00
PS*3050/2A <sup>1</sup>	29.53	49.21	25.20	25.98	45.66	22.52	112.00	29.53	49.21	37.80	25.98	45.66	33.78	207.00
PS*4020*A	39.37	19.70	25.20	35.83	16.14	22.52	87.60	39.37	19.70	37.80	35.83	16.14	33.78	131.00
PS*4030*A	39.37	29.53	25.20	35.83	25.98	22.52	112.00	39.37	29.53	37.80	35.83	25.98	33.78	168.00
PS*4040*A	39.37	39.37	25.20	35.83	35.83	22.52	138.00	39.37	39.37	37.80	35.83	35.83	33.78	209.00
PS*4040/2A <sup>1</sup>	39.37	39.37	25.20	35.83	35.83	22.52	138.00	39.37	39.37	37.80	35.83	35.83	33.78	209.00
PS*4050/2A <sup>1</sup>	39.37	49.21	25.20	35.83	45.67	22.52	167.00	43.31	49.21	37.80	35.83	45.67	33.78	250.00
PS*5030*A	49.21	29.53	25.20	45.67	25.98	22.52	138.00	49.21	29.53	37.80	45.67	25.98	33.78	207.00
PS*5040/2A <sup>1</sup>	49.21	39.37	25.20	45.67	35.83	22.52	167.00	49.21	39.37	37.80	45.67	35.83	33.78	251.00
PS*5040/2LA <sup>1</sup>	49.21	39.37	25.20	45.67	35.83	22.52	167.00	49.21	39.37	37.80	45.67	35.83	33.78	251.00

\* **COMPLETE YOUR PART NUMBER WITH ONE OF THE FOLLOWING:**

<sup>1</sup> Double door units are UL listed for Type 4X.

- (nothing) for standard door
- G for gasketed window (UL listed for Type 4X; UL file #E54315)
- B for bonded window

- <sup>+</sup> E1 for one depth extension
- E2 for two depth extensions

**POLYSAFE SERIES | ACCESSORIES**

**19" Swing Frame**

Part Number	Fits Enclosure	Optional Front Plate
PSPF-2030	PS2030	PS23-020PLT
PSPF-3030	PS3030	PS33-020PLT
PSPF-4030	PS4030	PS43-020PLT
PSPF-5030	PS5030	PS53-020PLT

**Pole Mount Rails (by width) . . . PPMC-20**  
**PPMC-30**

**Doorstop . . . . . (left) PSDSL**  
**(right) PSDSR**

**Back Panel Depth Adjustment**  
**Hardware . . . . . PSDA-Kit**

**Medium Vent . . . . . (pair) MEDV**

**Louver Panel . . . . . 70000.261**

**Print Pocket . . . . . 1021.020**

**Handle without Lock . . . . . NH-SP**  
**Key Lock Cylinder . . . . . KLC-SP**  
**Padlocking Handle . . . . . PLH-SP**

**Aluminum Mounting Frame**  
**for Back Panel . . . . . PS\*F20**  
**PS\*F30**  
**PS\*F40**  
**PS\*F50**

\* **COMPLETE YOUR PART NUMBER WITH:**  
 A adjustable mounting frame  
 F fixed mounting frame

**Floor Pads for Concrete Pad Mounting**

Part Number	Enclosure Width
PMF-2013	20.00
PMF-3013	30.00
PMF-4013	40.00
PMF-5013	50.00


**Medium Vent**

**Louver Panel**

**Print Pocket**

**Handle w/out Lock**

**Key Lock Cylinder**

**Padlocking Handle**
**Back Panels**

Part Number*	Panel Size	Enclosure
PSBP-22*	16.14 x 16.14	20.00 x 20.00
PSBP-32*	25.98 x 16.14	20.00 x 30.00
PSBP-32*	25.98 x 16.14	30.00 x 20.00
PSBP-33*	25.98 x 25.98	30.00 x 30.00
PSBP-43*	35.83 x 25.98	30.00 x 40.00
PSBP-43*	35.83 x 25.98	40.00 x 30.00
PSBP-44*	35.83 x 35.83	40.00 x 40.00
PSBP-54*	45.67 x 35.83	40.00 x 50.00
PSBP-53*	45.67 x 25.98	50.00 x 30.00
PSBP-54*	45.67 x 35.83	50.00 x 40.00

\* **COMPLETE YOUR PART NUMBER WITH ONE OF THE FOLLOWING:**

- PS painted steel back panel (special order)
- N non-metallic back panel
- S galvanized coated steel back panel (stock item)
- A aluminum back panel


**Rain Hoods**

Part Number	Enclosure	
	W	D
PRH-2013	20.00	13.00
PRH-3013	30.00	13.00
PRH-4013	40.00	13.00
PRH-5013	50.00	13.00

*Extra width or depth available upon request.*

**Depth Extension Kits**

Part Number	Outside		
	H	W	D
EPS-2020	20.00	20.00	12.00
EPS-3020	30.00	20.00	12.00
EPS-3030	30.00	30.00	12.00
EPS-4030	40.00	30.00	12.00
EPS-4040	40.00	40.00	12.00
EPS-5030	50.00	30.00	12.00
EPS-5040	50.00	40.00	12.00

*Adds 12" to overall depth. Must be ordered when enclosure is not factory assembled.*

*Kits consist of two side panels, one top and bottom panel, two open back panels and all of the screws and nuts required to make the connection.*

## VP SYSTEM

### FEATURES

- Cabinet made from self-extinguishing, halogen-free hot compression-molded fiberglass reinforced polyester (FRP)
- Doors are 16-gauge steel with epoxy powder coat finish and have 3-point latch system
- Internal component mounting system
- Rear of cabinet is molded to accommodate vertical bus bars
- Features total insulation and a high degree of protection IP54 (IEC 439)
- Temperature resistance: -58°F to +302°F (-50°C to +150°C), momentary +392°F (200°C)

### APPLICATIONS

Designed for power distribution panels, cable splicing cabinets, DIN-rail mounting of relays, contactors and other IEC devices, control and instrumentation panels.

### STANDARDS

- UL listed per standard 508 (pending on wall mounted units)

### ACCESSORIES

- Back panels, adjustable depth front panels, wall mounting brackets and bus bar system



### Floor Standing Enclosures and Back Panels

Part Number	Outside Dimension			Door Type*	Back Panel	H		Mounting Frame
	H	W	D			H	W	
VPS612312	61.00	23.00	12.00	SF	BP6123	53.00	20.00	AF6123
VPS612316	61.00	23.00	16.00	SF	BP6123	53.00	20.00	AF6123
VPS613312	61.00	33.00	12.00	SF	BP6133	53.00	30.00	AF6133
VPS613316	61.00	33.00	16.00	SF	BP6133	53.00	30.00	AF6133
VPS614312	61.00	43.00	12.00	DF	BP6143	53.00	40.00	AF6143
VPS614316	61.00	43.00	16.00	DF	BP6143	53.00	40.00	AF6143
VPS792312	79.00	23.00	12.00	SF	BP7923	71.00	20.00	AF7923
VPS792316	79.00	23.00	16.00	SF	BP7923	71.00	20.00	AF7923
VPS792324	79.00	23.00	24.00	SF	BP7923	71.00	20.00	AF7923
VPS792328	79.00	23.00	28.00	SF	BP7923	71.00	20.00	AF7923
VPS792332	79.00	23.00	32.00	SF	BP7923	71.00	20.00	AF7923
VPS792324SFR	79.00	23.00	24.00	SF/R	BP7923	71.00	20.00	AF7923
VPS792328SFR	79.00	23.00	28.00	SF/R	BP7923	71.00	20.00	AF7923
VPS792332SFR	79.00	23.00	32.00	SF/R	BP7923	71.00	20.00	AF7923
VPS793312	79.00	33.00	12.00	SF	BP7933	71.00	30.00	AF7933
VPS793316	79.00	33.00	16.00	SF	BP7933	71.00	30.00	AF7933
VPS793324	79.00	33.00	24.00	SF	BP7933	71.00	30.00	AF7933
VPS793328	79.00	33.00	28.00	SF	BP7933	71.00	30.00	AF7933
VPS793332	79.00	33.00	32.00	SF	BP7933	71.00	30.00	AF7933
VPS793324SFR	79.00	33.00	24.00	SF/R	BP7933	71.00	30.00	AF7933
VPS793328SFR	79.00	33.00	28.00	SF/R	BP7933	71.00	30.00	AF7933
VPS793332SFR	79.00	33.00	32.00	SF/R	BP7933	71.00	30.00	AF7933
VPS794312	79.00	43.00	12.00	DF	BP7943	71.00	40.00	AF7943
VPS794316	79.00	43.00	16.00	DF	BP7943	71.00	40.00	AF7943
VPS794324	79.00	43.00	24.00	DF	BP7943	71.00	40.00	AF7943
VPS794328	79.00	43.00	28.00	DF	BP7943	71.00	40.00	AF7943
VPS794332	79.00	43.00	32.00	DF	BP7943	71.00	40.00	AF7943
VPS794324DFR	79.00	43.00	24.00	DF/R	BP7943	71.00	40.00	AF7943
VPS794328DFR	79.00	43.00	28.00	DF/R	BP7943	71.00	40.00	AF7943
VPS794332DFR	79.00	43.00	32.00	DF/R	BP9743	71.00	40.00	AF7943

\* SF = single front access; DF = double front access; SF/R = single front and rear access; DF/R = double front and rear access

## PEDESTALS

### FEATURES

- Available in 30 sizes from 13" X 11" X 7" to 44" X 49" X 27"
- Designed for the connection of underground cables for distribution to several customers from the same cabinet
- Bases are partly buried into the ground
- For some models, burial foot and above ground structure is molded as one part
- Housing manufactured from hot compression molded fiberglass reinforced polyester (FRP)
- Removable front covers for easy access
- Pedestals have high protection and total insulation to BS 5486, Part 1 and IEC 439; degree of protection at least IP/43
- Very high mechanical impact strength IP xx-11 (NBN C20-001, annex A) and a high thermal insulation which results in reduced temperature variations within the enclosure
- RAL (7035)
- Temperature resistance: -51°F to +225°F (-35°C to +125°C)

### APPLICATIONS

Excellent for use in power distribution for service entrance cabinets or cable splice/junction boxes and cable television distribution (CATV). Can be used for 19" racking systems. Also has applications in telecommunications (fiber optics or electronics), traffic signal controls, utility metering and distribution compartments (gas, water and power) and public lighting (street lights, parking lots, tennis courts). Recreational applications include marinas, campgrounds, marketplace power outlets and underground sprinkler systems.



### STANDARDS

- NEMA/CEMA 3R
- IEC 529 rated IP/43 (IP54 for EH6 models)
- BS-5490



## PEDESTALS



### Type EH1

- Cover constructed of hot compression molded fiberglass reinforced polyester
- Base constructed of hot-foamed polyethylene
- Upper part of base serves as a mounting plate and provides a number of slots and mounting holes



### Type EH2

- Columns constructed of hot compression molded fiberglass reinforced polyester
- Rear mounting holes allow direct mounting of busbars, frame or mounting plate
- Upper segment is fitted with a recessed lock box for keylock cylinder inserts; protected by vandal-proof plastic cap



### Type EH2-S (without base)

- Fully integrated locking clamp suitable for a profile half-cylinder lock; protected by vandal-proof plastic cap
- Holes in rear panel allow mounting of busbars



### Type EH3 / EH3 AP / EH3 DC

- Constructed of hot compression molded fiberglass reinforced polyester
- Corrosion resistant
- UV stabilized for outdoor use
- Rear mounting holes allow direct mounting of busbars, frame or mounting plate
- Cabinets can be coupled together side by side or double deep
- Easily removable doors allow free access for maintenance
- Locking system varies by enclosure type
- Poster-proof (AP) surface available



### Type EHGD

- Door, rear, side panels and top rainhood constructed of hot compression molded fiberglass reinforced polyester
- Provided with fixing points for floor or base mounting
- Fixing points allow direct mounting of busbars, frame or mounting plate
- Totally integrated lock casing in fiberglass reinforced polyamide



### Type EH6

- Constructed of hot compression molded fiberglass reinforced polyester
- Corrosion resistant
- UV stabilized for outdoor use
- Rear mounting holes allow direct mounting of busbars, frame or mounting plate

Part Number	Outside Dimension			Outside Dimension		
	Total H	Base W	Base D	Above Ground H	Above Ground W	Above Ground D
EH1/*	29.52	15.16	10.67	12.80	11.34	6.81

\* COMPLETE YOUR PART NUMBER WITH ONE OF THE FOLLOWING:

- V for thermoplastic hood, vented
- NV for thermoplastic hood, non-vented
- NV-FRP for fiberglass hood, non-vented

Part Number	Lift Off Sect.	H	Outside Dimension W	D	Back Panel
EH2/1117	2	43.19	16.73	9.45	BP2-1117
EH2/2017	2	53.11	16.73	9.45	BP2-2017
EH2/3117	2	63.86	16.73	9.45	BP2-3117
EH2/4117	2	74.61	16.73	9.45	BP2-3117

Part Number	Lift Off Sect.	H	Outside Dimension W	D	Back Panel
EH2-S1	0	13.30	16.73	9.45	BP2-S1
EH2-S2	0	23.23	16.73	9.45	BP2-S2
EH2-S3	0	33.86	16.73	9.45	BP2-S3

Part Number	Doors	H	Outside Dimension W	D	Back Panel
EH3/3523*	1	34.45	22.23	12.60	BP3/3523
EH3/3531*	1	34.45	30.91	12.60	BP3/3531
EH3/3544*	2	34.45	43.90	12.60	BP3/3544
EH3/3557*	2	44.45	56.89	12.60	BP3/3557
EH3/4423*	1	44.29	23.23	12.60	BP3/4423
EH3/4431*	1	44.29	30.91	12.60	BP3/4431
EH3/4444*	2	44.29	43.90	12.60	BP3/4444
EH3DC/3531-1	2	34.45	30.91	12.60	INCLUDED
EH3DC/3544-2	2	34.45	43.90	12.60	BP3DC/3544-2
EH3/4457AP	2	44.29	56.89	12.60	CALL FACTORY

\* Add suffix AP for poster-proof surface.

Part Number	Doors	H	Outside Dimension W	D	Fiberglass Burial Section
EHGD/3427A	1	34.45	26.61	16.69	EFPGD-27A
EHGD/3434A	1	34.45	34.29	16.69	EFPGD-34A
EHGD/3447A	2	34.45	47.24	16.69	EFPGD-47A
EHGD/4427C	1	44.29	26.61	26.61	EFPGD-27C
EHGD/4434C	1	44.29	34.29	26.61	EFPGD-34C
EHGD/4447C	2	44.29	47.24	26.61	EFPGD-47C

Part Number	Doors	H	Outside Dimension W	D	Back Panel
EH6/3219	1	32.68	18.50	12.60	BP6/3219
EH6/3224	1	32.68	23.82	12.60	BP6/3224
EH6/3232	1	32.68	31.60	12.60	BP6/3232

**TECHNICAL**
**UNDERWRITERS LABORATORIES INC.  
 (UL 50 AND UL 508)  
 Ref. Vynckier file #E54315**

Type	Intended Use and Description
1	Indoor use primarily to provide protection against contact with the enclosed equipment and against a limited amount of falling dirt.
2	Indoor use to provide a degree of protection against limited amounts of falling water and dirt.
3	Outdoor use to provide a degree of protection against windblown dust and windblown rain; undamaged by the formation of ice on the enclosure.
3R	Outdoor use to provide a degree of protection against falling rain; undamaged by the formation of ice on the enclosure.
4	Either indoor or outdoor use to provide a degree of protection against falling rain, splashing and hose-directed water; undamaged by the formation of ice on the enclosure.
4X	Either indoor or outdoor use to provide a degree of protection against falling rain, splashing and hose-directed water; undamaged by the formation of ice on the enclosure; resists corrosion.
6	Intended for indoor or outdoor use primarily to provide a degree of protection against the entry of water during occasional temporary submersion at limited depth.
6P	Intended for indoor or outdoor use primarily to provide a degree of protection against the entry of water during prolonged submersion at a limited depth.
12	Indoor use to provide a degree of protection against dust, dirt, fiber flyings, dripping water and external condensation of noncorrosive liquids.
13	Indoor use to provide a degree of protection against lint, dust, seepage, external condensation and spraying of water, oil and noncorrosive liquids.

**CANADIAN STANDARDS ASSOCIATION  
 (Standard C22.2 Nos. 14, 40 and 94)  
 Ref. Vynckier file #LR36508  
 Ref. NEMA Standard 250**

Type	Intended Use and Description
2	An enclosure for indoor use, constructed to provide a degree of protection against dripping and light splashing of noncorrosive liquids; falling dirt.
3	An enclosure for either indoor or outdoor use, constructed to provide a degree of protection against rain, snow and windblown dust; undamaged by the external formation of ice on the enclosure.
3R	An enclosure for either indoor or outdoor use, constructed to provide a degree of protection against rain and snow; undamaged by the external formation of ice on the enclosure.
3S	An enclosure for either indoor or outdoor use, constructed to provide a degree of protection against rain, snow and windblown dust; external mechanism(s) remain operable while ice covered.
4	An enclosure for either indoor or outdoor use, constructed to provide a degree of protection against rain, snow, windblown dust, splashing and hose-directed water; undamaged by the external formation of ice on the enclosure.
4X	An enclosure for either indoor or outdoor use, constructed to provide a degree of protection against rain, snow, windblown dust, splashing and hose-directed water; undamaged by the external formation of ice on the enclosure; resists corrosion.
5	An enclosure for indoor use, constructed to provide a degree of protection against dripping and light splashing of noncorrosive liquids; settling dust, lint, fibers and flyings.
6	An enclosure for either indoor or outdoor use, constructed to provide a degree of protection against the entry of water during temporary submersion at a limited depth; undamaged by the external formation of ice on the enclosure.

6P	An enclosure for either indoor or outdoor use, constructed to provide a degree of protection against the entry of water during prolonged submersion at a limited depth; undamaged by the external formation of ice on the enclosure; resists extended corrosion.
12	An enclosure for indoor use, constructed to provide a degree of protection against circulating dust, lint, fibers and flyings; dripping and light splashing of noncorrosive liquids; not provided with knockouts.
12K	An enclosure for indoor use, constructed to provide a degree of protection against circulating dust, lint, fibers and flyings; dripping and light splashing of noncorrosive liquids; provided with knockouts.
13	An enclosure for indoor use, constructed to provide a degree of protection against circulating dust, lint, fibers and flyings; seepage and spraying of noncorrosive liquids including oils and coolants.

**INTERNATIONAL ELECTROTECHNICAL  
 COMMISSION INDEX OF PROTECTION  
 IEC-IP (INGRESS PROTECTION)**

Under IEC publication 529, the degree of protection required for a given enclosure is defined by IP (Ingress Protection) codes. IP codes are two digit numerals which can be derived as follows:

**Definitions of first numeral designations  
 (protection against solid bodies)**

0	No protection
1	Objects greater than 2.0"
2	Objects greater than .47"
3	Objects greater than .10"
4	Objects greater than .04"
5	Dust protected
6	Dust tight

## TECHNICAL

### Definitions of second numeral designations (protection against liquid)

- |   |                                  |
|---|----------------------------------|
| 0 | No protection                    |
| 1 | Vertically dripping water        |
| 2 | 75° to 90° angled dripping water |
| 3 | Sprayed water                    |
| 4 | Splashed water                   |
| 5 | Water jets (hose)                |
| 6 | Heavy seas                       |
| 7 | Effects of immersion             |
| 8 | Indefinite immersion             |

### PERFORMANCE STANDARDS

#### Impact Resistance/Mechanical Abuse

All parts (flat surfaces, corners, etc.) of the enclosures were subject to impact and mechanical abuse tests as specified in UL Standard 508.

#### Chemical Resistance

Resists splashes and vapors of: acids 10%, bases 10%, salts, organic solvents, oils, fats and combustibles. Resists longlasting contact of: acids 10%, bases 10%, mineral oils and combustibles.

#### Dielectric Strength

467 Volts/mill per ASTM D149.

#### Flammability

Self extinguishing (ASTM D635).

#### High Current Arc Ignition

Tests terminated after 200 arcs failed to produce ignition.

#### Heat Deflection

Fiberglass enclosures tested to ASTM D648. No deflection measured at temperatures up to 392°F, at which point test was terminated.

#### Fume Toxicity

Fumes emitted during burning to destruction are non toxic in nature, except for some nominal emission of carbon monoxide which is common with all organic materials.

#### Temperature Resistance

Fiberglass materials are suitable for use in environments from -58°F to 320°F. Momentary temperatures of 392°F will not be

harmful. Optional polycarbonate covers may be used up to 270°F.

#### Water Absorption (2x2x5/32 coupons)

Fiberglass – 45mg in 4 days.  
Polycarbonate – 10mg in 4 days.

#### Volume Resistivity

Fiberglass material tested for volume resistivity to ASTM D257. After 40 hours at 73.4°F, 50% relative humidity –  $2 \times 10^{15}$  ohm cms. After 96 hours at 95°F, 90% relative humidity –  $1 \times 10^{15}$  ohm cms.

#### Color

Fiberglass is colored a pleasing neutral gray. The color is molded in and is homogenous throughout the material. Enclosures may be painted with high grade polyurethane or epoxy paints after suitable surface preparation. Specific details furnished upon request.

#### Color Stability

DIN3388-7 (best figure by this method is 8). Useful outdoor life for polyester materials exceeds 25 years.

#### Working Qualities

Enclosures may be modified by drilling, sawing, Greenlee punch, etc. The pre preg hot molding process renders after treatment of worked areas completely unnecessary.

#### Tropical Duty

Suitable for tropical service. Tropical environment tests to IEC68-2 were performed without damage to enclosures. Mold, fungus growth, etc. was resisted.

#### Vermin, Termites, Etc.

Enclosures will resist attack by rodents, vermin, termites, etc.

### MAINTENANCE

Vynckier fiberglass enclosures are virtually maintenance-free. To remove the appearance of any small surface scratches or scuffs, simply apply petroleum jelly (Vaseline®) or oil to the surface and rub lightly. Similarly, any slight surface erosion due to weathering can be restored to original appearance by gently rubbing with fine sandpaper before applying petroleum jelly.

#### Painting of Fiberglass Enclosures

Because of the presence of mold release agents, painting of hot molded fiberglass generally requires surface preparation prior to painting.

To ensure a good bond, the following points are important:

- adequate surface cleaning or preparation.
- use of an appropriate primer. This is recommended, but satisfactory results can be obtained without it.

The surface preparation can be one of several ways:

- roughening of the surface with an abrasive such as a pumice or waterproof carborundum paper. This ensures good adhesion but the operation can be time consuming.
- degreasing the surface with an organic solvent such as trichlorethylene. This by itself, however, is not the preferred method as attention is required to prevent the evaporating solvent from leaving mold release residue which could interfere with a good bond.
- degreasing and cleaning with alcohol. This normally gives satisfactory results.
- degreasing with a water solution of alkaline or caustic salts such as sodium carbonate or trisodium phosphate. The solution can also contain a detergent or other domestic cleaning products.
- industrial solvents: aromatic hydrocarbon eg. benzene, toluene, xylene, butyl acetate, glycol acetate.

After cleaning, the product must be carefully rinsed and dried.

Once the surface has been prepared, an appropriate primer and top coat based on polyurethane or epoxy should give satisfactory results. Recommendations for use of a specific paint should be obtained by reference to the paint manufacturer.

Attention should be taken to ensure appropriate ventilation is utilized and manufacturers' recommendations are followed to prevent any toxic effects of any chemicals used in this process.

Consult factory for EMI-RFI Protection, available upon request.

**GENERAL ACCESSORIES | THERMOSTATS AND HUMIDITY CONTROL**

**VESNC/VESNO**
**FEATURES**

- Easy installation
- Wide adjustment range
- Small dimensions
- Thermostat NC for the control of heaters/Thermostat NO for the control of filter ventilators, or for switching signal transmitters in the case of overheating

**APPLICATIONS**

Designed for air temperature control and monitoring in switch-gear cabinets, including use with heaters, filter ventilators, heat exchangers and signal transmitters.

**APPROVALS**

- UL
- cUL recognized

**TECHNICAL DATA**

- Sensor element: thermostatic bi-metal
- Adjustment range: +30°F to +140°F, switching difference approximately 4K
- Contact type: NC (normally closed), quick-acting contact; NO (normally open), quick-acting contact
- Switching capacity: NC: 15A (1) AC 120V; NO: 15A (1) AC 120V
- Noise suppression: "N" (acc. to VDE 0875)
- Dimensions: 2.4" x 1.3" x 1.4"
- Connections: 2-pole terminal for AWG 14 (0.04 in<sup>2</sup>)
- Mounting: clip mounting for 1.375" rails (35 mm DIN)
- Housing: plastic UL 94 V0
- Protection: IP30
- Weight: 1.27 oz.


**MFR-012**
**FEATURES**

- Designed for the control of heaters to increase the dew point at critical humidities of 65% RH or higher. This will retard condensation; thus preventing corrosion and greatly extending the life expectancy of components.

**APPLICATIONS**

Designed for control panels and enclosures, ATM machines, tool cabinets, control systems, indicator panels

**APPROVALS**

- UL (pending)

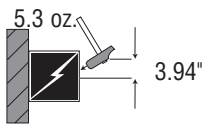
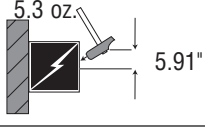
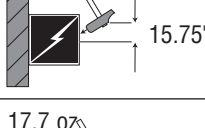
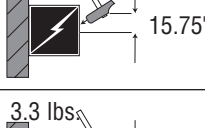
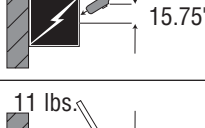
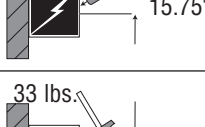
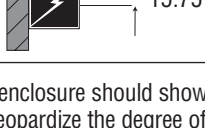
**TECHNICAL DATA**

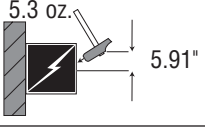
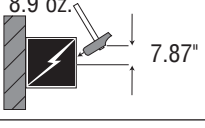
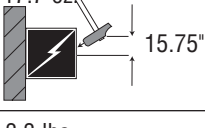
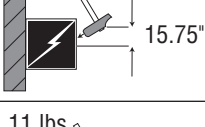
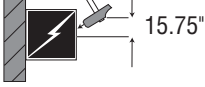
- Adjustment range: 35 - 100% RH
- Tolerance: +3% RH
- Hysteresis: approx. 4% RH (at 50% RH)
- Permittable temperature: 32 - 140° F (0-60° C)
- Type of contact: change-over
- Maximum switching capacity: AC 230 V/5 A (resistive load); AC 230 V/0.2 A (inductive load); DC 50 V/1A (inductive load)
- Minimum load: AC/DC 20 V . 100 mA
- Service life/Life expectancy: 50,000 cycles (at AC 230 V / 5 A)
- Sensing element: synthetic fibers
- Protection: IP 20
- Noise suppression: "N" (acc. to VDE 0875)
- Connections: 4-pole terminal, 2.5 mm<sup>2</sup>
- Mounting: clip mounting for 1.375" rails (35 mm DIN Rails) (EN50022)
- Dimensions: 2.64" x 1.97" x 1.5"
- Housing: plastic UL 94 V0
- Weight: 0.22 lb. (0.1 kg)

## IP RATINGS

### Degree of protection of the electrical equipment up to 1000V AC and 1500V DC

IP X3 according to NBN C20-001 annex A and NF C20-010

<b>X3</b>		Protection against mechanical damage: impact strength	
		According to NBN C20-001 annex A Belgian standards	
	Test	Impact energy (J)	
<b>0.5</b>			
<b>1</b>		.166 ft-lbs.	
<b>1.5</b>		.22 ft-lbs.	
<b>2</b>		.28 ft-lbs.	
<b>3</b>		.44 ft-lbs.	
<b>5</b>		1.48 ft-lbs.	
<b>7</b>		4.43 ft-lbs.	
<b>9</b>		14.75 ft-lbs.	
<b>11</b>		44.25 ft-lbs.	

<b>X3</b>		Protection against mechanical damage: impact strength	
		According to NF C20-010 French standards	
	Test	Impact energy (J)	
<b>1</b>		.166 ft-lbs.	
<b>3</b>		.37 ft-lbs.	
<b>5</b>		1.48 ft-lbs.	
<b>7</b>		4.43 ft-lbs.	
<b>9</b>		14.75 ft-lbs.	

After 10 strokes the enclosure should show neither visible crack or damage that might jeopardize the degree of protection.

**COMPETITOR'S CROSS REFERENCE | CARLON**

<b>Carlton Enclosure</b>	<b>Vynckier Enclosure</b>				
C2016A4	AN2016	HE533	VM533	HL50402	SP5040/2A
C2016B4	AN2016	HE533C	VM533C	HP1612B	AN1612
C2016C4	AN2820	HE743	VM753	HP2016B	AN2016
C2420A4	AN2820	HE743C	VM753CT	HP2416C	AN2416
C2420B4	AN2820	HE974	VJ1008W	HP3020D	AN2820
C2420C4	AN2820	HE974C	CVJ1008W	HP3325D	AN3325
C3024A4	AN3325	HEH119	CVJ1210W	HS11A7	A41-1212E1
C3024B4	AN3325	HH11A7	A41-1212E1H	HS11A7C	A41-1212E1CT
C3024C4	AN3325	HH11A7C	A41-1212E1DTH	HS11A9	A41-1212E2
CC1085	CVJ1008HW	HH11A9	A41-1212E2H	HS11A9C	A41-1212E2CT
CC12106	CVJ1210HW	HH11A9C	A41-1212E2DTH	HS11B7	A71-1412E1
CC14126	CVJ1412HW	HH11B7	A71-1412E1H	HS11B7C	A71-1412E1CT
CC16147	CVJ1614HW	HH11B7C	A71-1412E1DTH	HS11B9	A71-1412E2
CC665	CVJ606HW	HH11B9C	A71-1412E2DTH	HS11B9C	A71-1412E2CT
CC863	CVJ806HW	HH11B9C	A71-1412E2H	HS11C7	A81-2212E1
CJ1085	VJ1008HW	HH11C7	A81-2212E1H	HS11C7C	A81-2212CT
CJ12106	RVJ1210HW	HH11C7C	A81-2212DTH	HS11C9	A81-2212E2
CJ14126	RVJ1412HW	HH11C9	A81-2212E1H	HS11C9C	A81-2212E1CT
CJ16147	RVJ1614HW	HH11C9C	A81-2212E1CTH	HS15B7	A11-2414E1
CJ665	VJ606HW	HH15B7	A11-2414E1H	HS15B7C	A11-2414CT
CJ863	VJ806HW	HH15B7C	A11-2414DTH	HS15C7	A11-2414E1
CP100N	VM433	HH15C7	A11-2414E1H	HS15C7C	A11-2414CT
CP100NB	VM433-PBS1	HH15C7C	A11-2414CTH	HS15C9	A11-2414E2
CP200N	VM733	HH15C9	A11-2414E1H	HS15C9C	A11-2414E1CT
CP200NB	VM533-PBS2	HH15C9C	A11-2414E1CTH	HS15D9	AN2820
CP300N	VM933	HH15D9	AN2820	HS15D9C	ANG2820
CP300NB	VM733-PBS3	HH15D9C	ANG2820	HS21C7	A12-2424E1
CS1085	VJ1008W	HH21C7	A12-2424E1H	HS21C7C	A12-2424CT
CS12106	RVJ1210W	HH21C7C	A12-2424CTH	HS21C9	A12-2424E2
CS14126	RVJ1412W	HH21C9	A12-2424E1H	HS21D9	AN2820
CS16147	RVJ1614W	HH21C9C	A12-2424E1CTH	HS21D9C	ANG2820
CS665	VJ606W	HH21D9	AN2820	HS7A7	A31-1207E1
CS863	VJ806W	HH21D9C	ANG2820	HS7A7C	A31-1207E1CT
CV1085	RVJB1008W	HH7A7	A31-1207E1H	J1085P	VJ1008HW w/9PBH
CV12106	RVJB1210W	HH7A7C	A31-1207E1DT	J1085W	VJB1008HW
CV14126	RVJB1412W	HL2020	SP2030A	J12106P	RVJ1210HW w/12PBH
CV16147	RVJB1614W	HL2030	SP2030A	J12106W	RVJB1210HW
CV665	CVJ606W	HL3020	SP3020A	J14126P	RVJ1412HW w/20PBH
CV863	CVJ806W	HL3030	SP3030A	J14126W	RVJB1412HW
HC1612B	ANG1612	HL3040	SP3040A	J16147P	RVJ1614HW w/25PBH
HC2016B	ANG2016	HL30402	SP3040A	J16147W	RVJB1614HW
HC2416C	ANG2416	HL30502	SP5030A	J665P	VJ606HW w/4PBH
HC3020D	ANG2820	HL4020	SP4030A	J665W	VJB606HW
HC3325D	ANG3325	HL40202	SP4030A	NM1084	CVJ1008HWPL1
HE1194	VJ1210W	HL4030	SP4030A	NM1086	RVJB1008HWPL1
HE12105	VJ1210W	HL40302	SP4050A	NM12106	RVJB1210HWPL2
HE1210C	CVJ1210W	HL4040	SP4040A	NM12126	RVJB1412HWPL2
HE14114	VJ1412W	NC1086	RVJB1008W	NM14126	RVJB1412HWPL2
HE1411C	CVJ1412W	NC12106	RVJB1210W	NM16146	RVJB1614HWPL2
HE432	VM433	NC12126	RVJB1412W	NM644	CVJ606HWPL1
HL40402	SP4040A	NC14126	RVJ1412W	HL50402	SP5040/2A
HL40502	SP4050/2A	NC16146	RVJB1614W	HP1612B	AN1612
HL5020	SP5030A	NC644	CVJ606W	HP2016B	AN2016
HL50202	SP5030A	NC664	CVJ606W	HP2416C	AN2416
HL5030	SP5030A	HL40402	SP4040A	HP3020D	AN2820
HL50302	SP5030A	HL40502	SP4050/2A	HP3325D	AN3325
HL5040	SP5040/2A	HL5020	SP5030A	HS11A7	A41-1212E1
HE432C	VM533CT	HL50202	SP5030A	HS11A7C	A41-1212E1CT
HE443	VM553	HL5030	SP5030A	HS11A9	A41-1212E2
HE443C	VM553CT	HL50302	SP5030A	HS11A9C	A41-1212E2CT
		HL5040	SP5040/2A	HS11B7	A71-1412E1

**COMPETITOR'S CROSS REFERENCE | CARLON, HOFFMAN**

HS11B7C	A71-1412E1CT	NJ1084	VJ1008HW	NV12106	RVJB1210W
HS11B9	A71-1412E2	NJ1086	RVJ1210HW	NV12126	RVJB1412W
HS11B9C	A71-1412E2CT	NJ12106	RVJ1210HW	NV14126	RVJB1412W
HS11C7	A81-2212E1	NJ12126	RVJ1412HW	NV16146	RVJB1614W
HS11C7C	A81-2212CT	NJ14126	RVJ1412HW	NV644	CVJ606W
HS11C9	A81-2212E2	NJ16146	RVJ1614HW	NV644	CVJ606W
HS11C9C	A81-2212E1CT	NJ644	VJ606HW	NV864	CVJ806W
HS15B7	A11-2414E1	NJ664	VJ606HW	NV884	CVJ1008W
HS15B7C	A11-2414CT	NJ864	VJ806HW		
HS15C7	A11-2414E1	NJ884	VJ1008HW		
HS15C7C	A11-2414CT	NL10106	RVJ1210HWPL2	<b>Hoffman Enclosure</b>	<b>Vynckier Enclosure</b>
HS15C9	A11-2414E2	NL1084	VJ1008NHWPL1	A-1066JFGQRPWR	VJB1008HWPL1
HS15C9C	A11-2414E1CT	NL1086	RVJ1008NHWPL1	A-1066JFGQRR	VJ1008HWPL1
HS15D9	AN2820	NL12106	RVJ1210NHWPL2	A-1066JFGR	VJ1008W
HS15D9C	ANG2820	NL12126	RVJ1210NHWPL2	A-1086CHQRFQ	VJ1008HWPL1
HS21C7	A12-2424E1	NL14126	VJ1412NHWPL2	A-1086CHQRFQW	VJB1008HWPL1
HS21C7C	A12-2424CT	NL16146	VJ1614NHWPL2	A-24H2416GQRLP	SP3030DA
HS21C9	A12-2424E2	NL644	VJ606NHWPL1	A-30H2406GQRLP	AN3325
HS21D9	AN2820	NL664	VJ606NHWPL1	A-30H2408GQRLP	AN3325
HS21D9C	ANG2820	NL864	VJ806NHWPL1	A-30H2410GQRLP	AN3325
HS7A7	A31-1207E1	NL884	VJ1008NHWPL1	A-30H2412GQRLP	AN3325
HS7A7C	A31-1207E1CT	NM10106	RVJB1210HWPL2	Q-181310PCE	VM754
J1085P	VJ1008HW w/9PBH	NM664	CVJ606HWPL1	Q-181310PCECC	VM754CT
J1085W	VJB1008HW	NM864	CVJ806HWPL1	Q-181313PCE	VM755
J12106P	RVJ1210HW w/12PBH	NM884	CVJ1008HWPL1	Q-181313PCECC	VM755CT
J12106W	RVJB1210HW	NP10106	RVJ1210HWPL2	Q-181315ABE	VM755
J14126P	RVJ1412HW w/20PBH	NP1084	VJ1008HWPL1	A-1086CHSCFG	VJ1008W
J1426W	RVJB1412HW	NP1086	RVJ1008HWPL1	A-1086CHSCFGW	VJB1008W
J16147P	RVJ1614HW w/25PBH	NP12106	RVJ1210HWPL2	A-12106CHQRFQ	VJ1210HWPL2
J16147W	RVJB1614HW	NP12126	VJ1412HWPL2	A-12106CHQRFQW	VJB1210HWPL2
J665P	VJ606HW w/4PBH	NP14126	VJ1412HWPL2	A-12106CHSCFG	VJ1210W
J665W	VJB606HW	NP16146	VJ1614HWPL2	A-12106CHSCFGW	VJB1210W
J863P	VJ806HW w/6PBH	NP644	VJ606HWPL1	A-1287JFGQRPWR	VJB1210HWPL2
J863W	VJP806HW	NP664	VJ606HWPL1	A-1287JFGQRR	VJ1210HWPL2
NC10106	RVJB1210W	NP864	VJ806HWPL1	A-1287JFGR	VJ1210W
NC1084	CVJ1008W	NP884	VJ806HWPL1	A-14107JFGQRPWR	VJB1412HWPL2
NC864	CVJ806W	NR10106	RVJB1210HWPL2	A-14107JFGQRR	VJ1412HWPL2
NC884	CVJ1008W	NR1084	CVJ1008HWPL1	A-14107JFGR	VJ1412W
NH10106	RVJ1210HW	NR1086	RVJB1008HWPL1	A-14128CHQRFQ	VJ1412HWPL2
NH1084	VJ1008HW	NR12106	RVJB1210HWPL2	A-14128CHQRFQW	VJB1412HWPL2
NH1086	RVJ1008HW	NR12126	RVJB1412HWPL2	A-14128CHSCFG	VJ1412W
NH12106	RVJ1210HW	NR14126	RVJB1412HWPL2	A-14128CHSCFGW	VJB1412W
NH12126	VJ1412HW	NR16146	RVJB1614HWPL2	A-16128JFGQRPWR	VJB1614HWPL2
NH14126	VJ1412HW	NR644	CVJ606HWPL1	A-16128JFGQRR	VJ1614HWPL2
NH16146	VJ1614HW	NR664	CVJ606HWPL1	A-16128JFGR	VJ1614W
NH644	VJ606HW	NR864	CVJ806HWPL1	A-16148CHQRFQ	VJ1614HWPL2
NH664	VJ606HW	NR884	CVJ1008HWPL1	A-16148CHQRFQW	VJB1614HWPL2
NH864	VJ806HW	NS10106	RVJ1210W	A-16148CHSCFG	VJ1614W
NH884	VJ1008HW	NS1084	VJ1008W	A-16148CHSCFGW	VJB1614W
NI10106	RVJB1210HW	NS1086	RVJ1008W	A-18149JFGQRPWR	VJB1816HWPL2
NI1084	CVJ1008HW	NS12106	RVJ1210W	A-18149JFGQRR	VJ1816HWPL2
NI1086	RVJB1008HW	NS12126	RVJ1412W	A-18149JFGR	VJ1816W
NI12106	RVJB1210HW	NS14126	RVJ1412W	A-181610CHQRFQ	VJ1816HWPL2
NI12126	RVJB1412HW	NS16146	RVJ1614W	A-181610CHQRFQW	VJB1816HWPL2
NI14126	RVJB1412HW	NS644	VJ606W	A-181610CHSCFG	VJ1816W
NI16146	RVJB1614HW	NS664	VJ606W	A-181610CHSCFGW	VJB1816W
NI644	CVJ606HW	NS864	VJ806W	A-20H1606GQRLP	AN2016
NI664	CVJ606HW	NS884	VJ1008W	A-20H1608GQRLP	AN2016
NI864	CVJ806HW	NV10106	RVJB1210W	A-20H1610GQRLP	AN2016
NI884	CVJ1008HW	NV1084	CVJ1008W	A-20H1612GQRLP	AN2820
NJ10106	VJ1210HW	NV1086	RVJB1008W	A-20H2006GQRLP	AN2416

**COMPETITOR'S CROSS REFERENCE | HOFFMAN, STAHLIN**

A-20H2008GQRLP	AN2416	Q-1686PCD	VM733	U-U606030	AN3325
A-20H2010GQRLP	AN2820	Q-1686PCDCC	N/A	U-U606030W	ANG3325
A-20H2012GQRLP	AN2820	Q-1689PCD	VM733	U-U606040	SP3030DA
A-24H2006GQRLP	AN2820	Q-1689PCDCC	N/A	U-U606040W	SPG3030DA
A-24H2008GQRLP	AN2820	Q-886PCD	VM433	U-U756030	AN3325
A-24H2010GQRLP	AN2416	Q-886PCDCC	N/A	U-U756030W	ANG3325
A-24H2012GQRLP	AN2820	U-U1008030	AN4032	U-U756040	SP3030DA
A-24H2016GQRLP	SP3020DA	U-U1008030W	ANG4032	U-U756040W	SPG3030DA
A-24H2408GQRLP	AN3325	U-U504020	AN2016		
A-24H2412GQRLP	AN3325	U-U504020W	ANG2016		
Q-402013PCI	A71-1412	U-U504030	AN2016		
Q-402013PCICC	A71-1412CT	U-U504030W	ANG2016		
Q-402018ABI	A71-1412	U-U605025	AN2820		
Q-402018PCI	A71-1412	U-U605025W	ANG2820		
Q-402018PCICC	A71-1412CT	Q-181315PCE	VM755		
Q-403013ABI	A51-1912	Q-181315PCECC	VM755CT		
Q-403013PCI	A51-1912	Q-18138PCE	VM753		
Q-403018ABI	A81-2212	Q-18138PCECC	VM753CT		
Q-403018PCI	A81-2212	Q-181810ABE	VM774		
Q-403018PCICC	A81-2212CT	Q-181810PCE	VM774		
A-30H2416GQRLP	SP3030DA	Q-181810PCECC	VM774CT		
A-36H3008GQRLP	AN4032	Q-181813PCE	VM775		
A-36H3012GQRLP	AN4032	Q-181813PCECC	VM775CT		
A-36H3612GQRLP	SP4040A	Q-181815ABE	VM776		
A-48H3612GQRLP	SP5040/2A	Q-181815PCE	VM776		
A-60H3612GQRLP	(2)SP3040A Cop H	Q-181815PCECC	VM776CT		
A-645JFGQRR	VJ606HWPL1	Q-18188PCE	VM773		
A-645JFGR	VJ606W	Q-18188PCECC	VM773CT		
A-664CHQRFG	VJ606HWPL1	Q-20129PCD	VM754		
A-664CHQRFGW	VJB606HWPL1	Q-20129PCDCC	VM754CT		
A-664CHSCFG	VJ606W	Q-202013ABI	A1-706		
A-664CHSCFGW	VJB606W	Q-202013PCI	A1-706		
A-845JFGQRR	VJ806HWPL1	Q-202013PCICC	A1-706CT		
A-845JFGR	VJ806W	Q-202018ABI	A1-706E1		
A-864CHQRFG	VJB806HWPL1	Q-202018PCI	A1-706E1		
A-864CHQRFGW	VJB806HWPL1	Q-202018PCICC	A1-706E1CT		
A-864CHSCFG	VJ806W	Q-24169PCD	S55300		
A-864CHSCFGW	VJB806W	Q-24169PCDCC	S55300C		
A-865JFGQPWR	VJB806HWPL1	Q-251810ABE	A31-1207		
A-865JFGQRR	VJ806HWPL1	Q-251810PCE	A31-1207		
A-865JFGR	VJ806W	Q-251810PCECC	A31-1207CT		
Q-1286PCD	VM533	Q-251815ABE	A31-1207E1		
Q-1286PCDCC	VM533CT	Q-251815PCE	A31-1207E1		
Q-1289PCD	VM533	Q-251815PCECC	A31-1207E1CT		
Q-1289PCDCC	VM533CT	Q-25188PCE	A31-1207		
Q-131310ABE	VM534	Q-25188PCECC	A31-1207CT		
Q-131310PCE	VM534	Q-302013ABI	A31-1207		
Q-131310PCECC	VM534CT	Q-302013PCI	A31-1207		
Q-131313PCE	VM554	Q-302013PCICC	A31-1207CT		
Q-131313PCECC	VM554CT	Q-302018ABI	A31-1207E1		
Q-13138PCE	VM553	Q-302018PCI	A31-1207E1		
Q-13138PCECC	VM553CT	Q-302018PCICC	A31-1207E1CT		
Q-13810ABE	VM534	Q-303013ABI	A41-1212		
Q-13810PCE	VM534	Q-303013PCI	A41-1212		
Q-13810PCECC	VM534	Q-303013PCICC	A41-1212CT		
Q-13813PCE	VM534	Q-303018ABI	A41-1212E1		
Q-13813PCECC	VM534CT	Q-303018PCI	A41-1212E1		
Q-1388PCE	VM533	Q-303018PCICC	A41-1212E1CT		
Q-1388PCECC	VM533CT	Q-402013ABI	A71-1412		
Q-16129PCD	VM753	U-U606020	AN3325		
Q-16129PCDCC	VM753CT	U-U606020W	ANG3325		
				<b>Stahlin Enclosure</b>	<b>Vynckier Enclosure</b>
				CF1144	N/A
				CF1432	N/A
				CF1732	N/A
				CF1PB	VM433-PBS1
				CF1PB22	VM433-PBM1
				CF2PB	VM733-PBS2
				CF2PB22	VM433-PBM2
				CF332	VM433
				CF3PB	VM933-PBS3
				CF3PB22	VM733-PBM3
				CF4PB	VM775-PBS4
				CF4PB22	VM933-PBM4
				CF532	VM533
				CF5PB	N/A
				CF5PB22	N/A
				CF644	VM733
				CF6PB	N/A
				CF6PB22	VM755-PBM6
				CF7PB22	N/A
				CF7PB22	N/A
				CF832	VM933
				CF844	VM933
				CF932	VM933
				F12PBW	VJ1008PB12
				F16PBW	VJ1210PB16
				F20PBW	VJ1210PB20
				F25PBW	VJ1412PB25
				F4PBW	VJ606BP4
				F6PBW	VJ806PB6
				F763	VM773
				F963	N/A
				F9PBW	VJ1008PB9
				J1008FHW	VJ1008NHW
				J1008FHWA	VJ1008NHWPL1
				J1008FHWA	VJ1008NHWLL1
				J1008HLL	VJ1008HWLL1
				J1008HPL	VJ1008HWPL1
				J1008HW	VJ1008HW
				J1008W	VJ1008W
				J1210FHW	VJ1210NHW
				J1210FHWA	VJ1210NHWPL2
				J1210FHWA	VJ1210NHWLL2
				J1210HLL	VJ1210HWLL2
				J1210HPL	VJ1210HWPL2
				J1210HW	VJ1210HW
				J1210W	VJ1210W
				J1412FHW	VJ1412NHW
				J1412FHWA	VJ1412NHWPL2
				J1412FHW	VJ1412NHW
				J1412FHWA	VJ1412NHWPL2

COMPETITOR'S CROSS REFERENCE | STAHLIN

J1412FHWA	VJ1412NHWLL2	RJ1614W	RVJ1614W	N483616WT	SP5040/2E1A
N30247WT	AN3325	RJW1008FHW	RVJB1008NHW	RJ1008FHW	RVJ1008NHW
N363010WT	SP4030A	RJW1008FHWA	RVJB1008NHW	RJ1008FHWA	RVJ1008NHW
N363012WT	SP4030A	JW1412HW	VJB1412HW	RJ1008HPL	RVJ1008HWPL1
N363016WT	SP4030E1A	JW1412W	VJB1412W	RJ1008HW	RVJ1008HW
N363023WT	SP4030E1A	JW1614FHW	VJB1614NHW	RJ1008W	RVJ1008W
N36308WT	SP4030A	JW1614FHWA	VJB1614NHWPL2	RJ1210FHW	RVJ1210NHW
J1412HLL	VJ1412HWLL2	JW1614FHWA	VJB1614NHWLL2	RJ1210FHWA	RVJ1210NHW
J1412HPL	VJ1412HWPL2	JW1614HLL	VJB1614HWLL2	RJ1210HPL	RVJ1210HWPL2
J1412HW	VJ1412HW	JW1614HPL	VJB1614HWPL2	RJ1210HW	RVJ1210HW
J1412W	VJ1412W	JW1614HW	VJB1614HW	RJ1210W	RVJ1210W
J1614FHW	VJ1614NHW	JW1614W	VJB1614W	RJ1412FHW	RVJ1412NHW
J1614FHWA	VJ1614NHWPL2	JW1816FHW	VJB1816NHW	RJ1412FHWA	RVJ1412NHW
J1614FHWA	VJ1614NHWLL2	JW1816FHWA	VJB1816NHWPL2	RJ1412HPL	RVJ1412HWPL2
J1614HLL	VJ1614HWLL2	JW1816FHWA	VJB1816NHWLL2	RJ1412HW	RVJ1412HW
J1614HPL	VJ1614HWPL2	JW1816HLL	VJB1816HWLL2	RJ1412W	RVJ1412W
J1614HW	VJ1614HW	JW1816HPL	VJB1816HWPL2	RJ1614FHW	RVJ1614NHW
J1614W	VJ1614W	JW1816HW	VJB1816HW	RJW1008HLL	RVJB1008HWLL1
J1816FHW	VJ1816NHW	JW1816W	VJB1816W	RJW1008HPL	RVJB1008HWPL1
J1816FHWA	VJ1816NHWPL2	JW606FHW	VJB606NHW	RJW1008HW	RVJB1008HW
J1816FHWA	VJ1816NHWLL2	JW606FHWA	VJB606NHWPL1	RJW1008W	RVJB1008W
J1816HLL	VJ1816HWLL2	JW606FHWA	VJB606NHWLL1	RJW1210FHW	RJVB1210NHW
J1816HPL	VJ1816HWPL2	JW606HLL	VJB606HWLL1	RJW1210FHWA	RJVB1210NHW
J1816HW	VJ1816HW	JW606HPL	VJB606HWPL1	RJW1210HLL	RVJ1210HWPL2
J1816W	VJ1816W	JW606HW	VJB606HW	RJW1210HPL	RVJB1210HWPL2
J606FHW	VJ606NHW	JW606W	VJB606W	RJW1210HW	RVJB1210HW
J606FHWA	VJ606NHWPL1	JW806FHW	VJB806NHW	RJW1210W	RVJB1210W
J606FHWA	VJ606NHWLL1	JW806FHWA	VJB806NHWPL1	RJW1412FHW	RVJB1412NHW
J606HLL	VJ606HWLL1	JW806FHWA	VJB806NHWLL1	RJW1412FHWA	RVJB1412NHW
J606HPL	VJ606HWPL1	JW806HLL	VJB806HWLL1	RJW1412HLL	RVJB1412HWLL2
J606HW	VJ606HW	JW806HPL	VJB806HWPL1	RJW1412HPL	RVJB1412HWPL2
J606W	VJ606W	JW806HW	VJB806HW	RJW1412HW	RVJB1412HW
J806FHW	VJ806NHW	JW806W	VJB806W	RJW1412W	RVJB1412W
J806FHWA	VJ806NHWPL1	N201610WT	AN2016	RJW1614FHW	RVJB1614NHW
J806FHWA	VJ806NHWLL1	N201612WT	SP3020A	RJW1614FHWA	RVJB1614NHW
J806HLL	VJ806HWLL1	N201616WT	SP3020A	RJW1816FHW	N/A
J806HPL	VJ806HWPL1	N201619WT	SP3020E1A	RJW1816HPL	N/A
J806HW	VJ806HW	N20166WT	AN2016	RJW1816HW	N/A
J806W	VJ806W	N20168WT	AN2016	RJW1816W	N/A
JW1008FHW	VJB1008NHW	N241210WT	AN2416	RJW606FHW	N/A
JW1008FHWA	VJB1008NHWPL1	N241220WT	A61-2412E5	RJW606FHWA	N/A
JW1008FHWA	VJB1008NHWLL1	N24126WT	AN2416	RJW606HLL	N/A
JW1008HLL	VJB1008HWLL1	N24208WT	A12-2424E1	RJW606HPL	N/A
JW1008HPL	VJB1008HWPL1	N242410WT	A12-2424E2	RJW606HW	N/A
JW1008HW	VJB1008HW	N302010WT	SP3020A	RJW606W	N/A
JW1008W	VJB1008W	N302012WT	SP3020A	RJW806FHW	N/A
JW1210FHW	VJB1210NHW	N302014WT	SP3020E1A	RJW806FHWA	N/A
JW1210FHWA	VJB1210NHWPL2	N30206WT	AN2820	RJW806HLL	N/A
JW1210FHWA	VJB1210NHWLL2	N30208WT	AN2820	RJW806HPL	N/A
JW1210HLL	VJB1210HWLL2	N302410WT	AN3325	RJW806HW	N/A
JW1210HPL	VJB1210HWPL2	N302412WT	SP3030A	RJW806W	N/A
JW1210HW	VJB1210HW	N302414WT	SP3030E1A		
JW1210W	VJB1210W	N302416WT	SP3030E1A		
JW1412FHW	VJB1412NHW	N302422WT	SP3030E1A		
JW1412FHWA	VJB1412NHWPL2	RJW1614HLL	RVJB1614HWLL2		
JW1412FHWA	VJB1412NHWLL2	RJW1614HPL	RVJB1614HWPL2		
JW1412HLL	VJB1412WLL2	RJW1614HW	RVJB1614HW		
JW1412HPL	VJB1412HWPL2	RJW1614W	RVJB1614W		
RJ1614FHWA	RVJ1614NHW	RJW1816FHW	N/A		
RJ1614HPL	RVJ1614HWPL2	RJW1816FHW	N/A		
RJ1614HW	RVJ1614HW	N483612WT	SP5040/2A		