

FILTER FANS

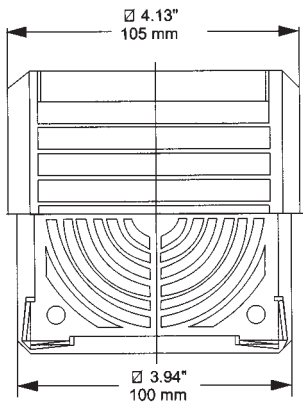
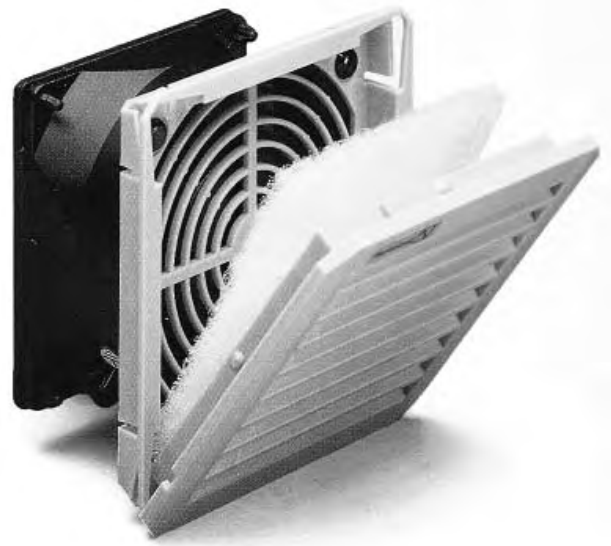
Features

High Quality, economically priced method for cooling enclosures. Provides superior forced convection cooling. Slim design permits limited external exposure. Features click & fit design, reusable filter mat.

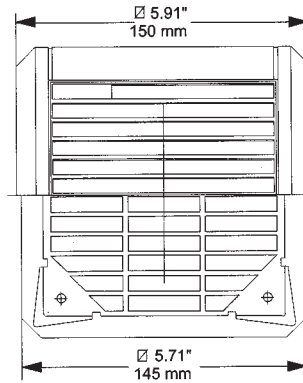
Catalogs Numbers:

| | F1000 | F2000 | F2500 | F3000 | F5000 | F6000 |
|------------------|-------|-------|-------|-------|-------|-------|
| VOLTAGE: | 115V | 115V | 115V | 115V | 115V | 115V |
| AIR DELIVERY*: | 8.8 | 24.7 | 55.9 | 123.6 | 206 | 264.9 |
| FILTER DENSITY: | 150 | 350 | 350 | 350 | 350 | 350 |
| FILTERING LEVEL: | 67% | 83% | 83% | 83% | 83% | 83% |

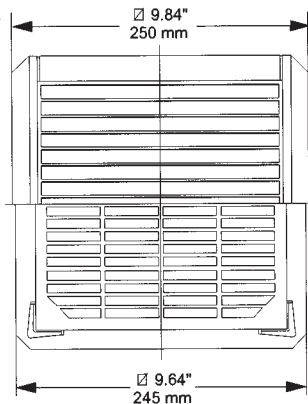
* AIR DELIVERY W/ EXHAUST



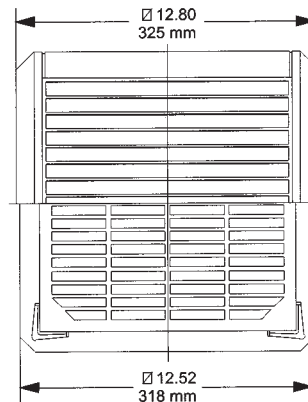
F1000



F2000



F2500/3000



F5000/6000

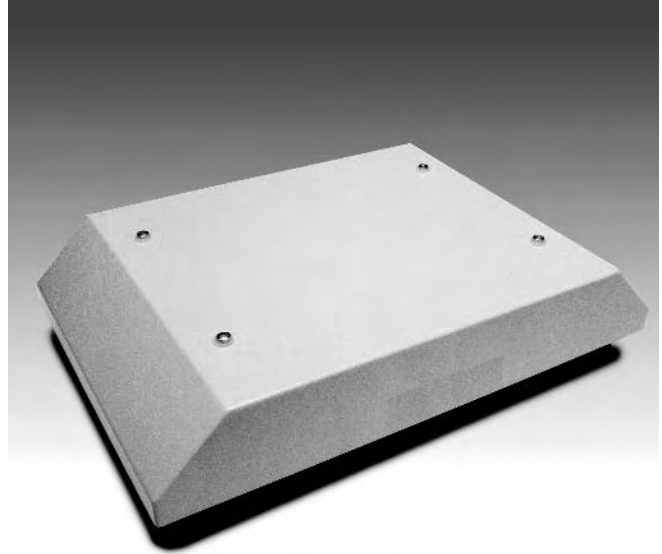
TOP MOUNT FILTER FAN

Features

Very high airflow. Air is pulled through the enclosure vertically cooling the contained equipment while removing warm air from the upper portion of the enclosure. Ideal for 19" rack applications.

Catalog Numbers:

| | TF8000-115 | TF8000-230 |
|---------------|----------------------------|-------------------|
| VOLTAGE: | 115 | 230 |
| RATED RANGE: | 103-122 | 207-244 |
| VOLTAGE LOAD: | 95w | 95w |
| CONNECTED: | 50/60Hz | 50/60Hz |
| DIMENSIONS: | 4.33"H x 20.87"W x 13.78"D | |



Consult Factory for Custom Installation

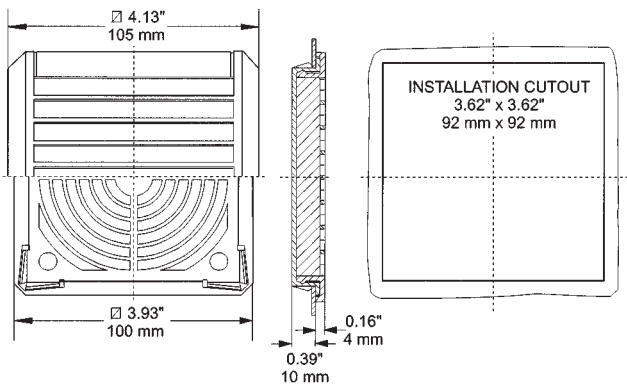
EXHAUST FILTERS

Features

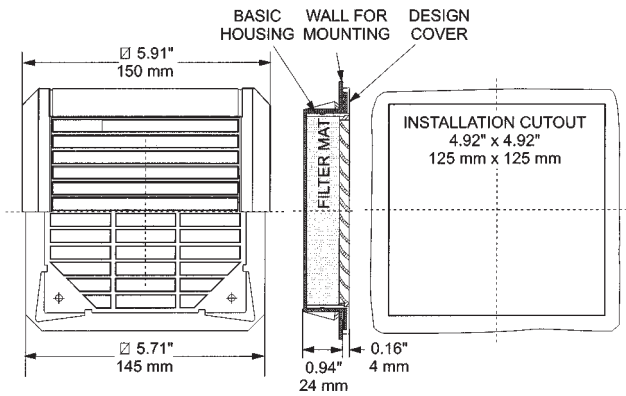
Click & fit for rapid installation without screws made from fire retardant polycarbonate.
 Reusable mat filter.
 Gaskets are recommended for installation.

Catalog Number:

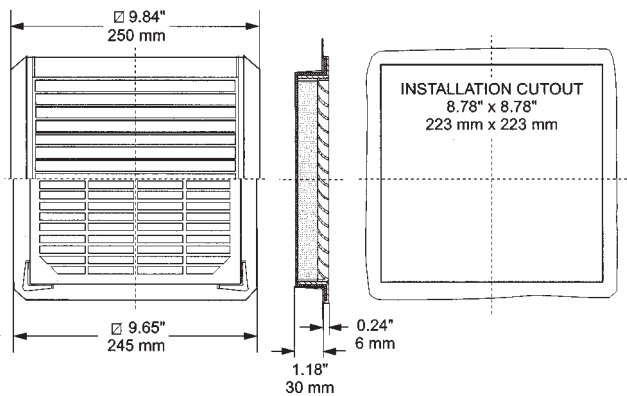
| | FILTER DENSITY | FILTERING LEVEL(G/M2) |
|------------|----------------|-----------------------|
| FA 1000 | 150 | 67% |
| FA 2000 | 350 | 83% |
| FA 25/3000 | 350 | 83% |
| FA 50/6000 | 350 | 83% |



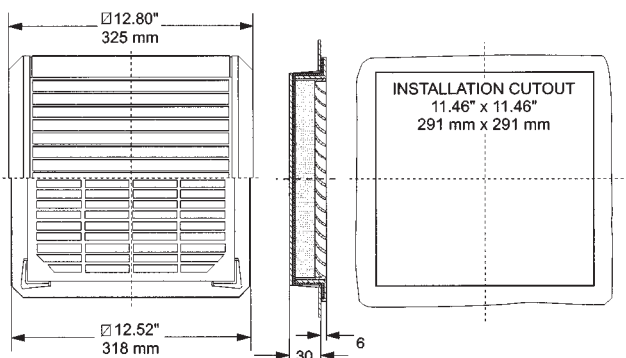
FA 1000



FA 2000



FA 25/3000



FA 50/6000