

## PEDESTALS

### Features

- Available in 30 sizes from 13" X 11" X 7" to 44" X 49" X 27".
- Designed for the connection of underground cables for the distribution to several customers from the same cabinet.
- Bases are partly buried into the ground.
- For some models, burial foot and above ground structure is molded as one part.
- Housing manufactured from hot compression molded fiberglass reinforced polyester (FRP).
- Removable front covers for easy access.
- Pedestals have high protection and total insulation  $\square$  to BS 5486, Part 1 and IEC 439. Degree of protection at least **IP/43**.
- Very high mechanical impact strength IP xx-11 (NBN C20-001, annex A) and a high thermal insulation which results in reduced temperature variations within the enclosure.
- RAL (7035)
- Temperature resistance: -51°F to +225°F (-35°C to +125°C)

### Applications

Excellent for use in power distribution for service entrance cabinets or cable splice/junction boxes and cable television distribution (CATV). Can be used for 19" racking systems. Also, has applications in telecommunications (fiber optics or electronics) and for traffic signal controls, utility metering and distribution compartments (gas, water and power) and public lighting (street lights, parking lots, tennis courts). Recreational applications include marinas, campgrounds, and marketplace power outlets and underground sprinkler systems.

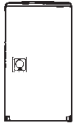
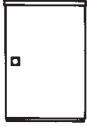
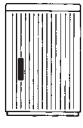






### Standards

NEMA/CEMA 3R  
IEC 529 rated IP/43  
(IP54 for EH6 models)  
BS-5490



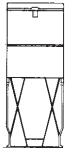
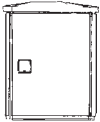
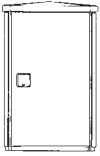


## Pedestals – DIN Sizes

		DIN 00	DIN 0	DIN 1	DIN 2	DIN3
	Catalog Number	EH6/3219	EH6/3224	EH6/3232		
	HxWxD	32.7 x 18.5 x 12.9	32.7 x 23.8 x 12.9	32.7 x 31.5 x 12.9		
		831 x 47 x 328	831 x 605 x 328	831 x 800 x 328		
	Weight (Lbs.)	32.54	36.42	44.50		
NON-METALLIC MOUNTING PLATE	Catalog Number	BP6/3219	BP6/3224	BP6/3232		
	HxWxD	27.7 x 14.2 x .2	27.7 x 19.5 x .2	27.7 x 27.2 x .2		
		704 x 361 x 6	704 x 495 x 6	704 x 691 x 6		
	Catalog Number		EH3/3523	EH3/3531	EH3/3544	EH3/3557
	HxWxD		34.5 x 23.2 x 12.9	34.5 x 30.9 x 12.9	34.5 x 43.9 x 12.9	34.5 x 56.9 x 12.9
			876 x 589 x 328	876 x 785 x 328	876 x 1115 x 328	876 x 1445 x 328
	Weight (Lbs.)		49.67	59.38	80.31	100.75
	Catalog Number		EH3/3523AP	EH3/3531AP	EH3/3544AP	EH3/3557AP
	HxWxD		34.5 x 23.2 x 12.9	34.5 x 30.9 x 12.9	34.5 x 43.9 x 12.9	34.5 x 56.9 x 12.9
			876 x 589 x 328	876 x 785 x 328	876 x 1115 x 328	876 x 1445 x 328
	Weight (Lbs.)		49.89	66.00	89.40	
	Catalog Number			EH3DC/3531-1	EH3DC/3544-2	
	HxWxD			34.5 x 30.9 x 12.9	34.5 x 43.9 x 12.9	
				876 x 785 x 328	876 x 1115 x 328	
	Weight (Lbs.)			75.01	86.89	
NON-METALLIC MOUNTING PLATE	Catalog Number		BP3/3523	BP3/3531	BP3/3544	BP3/3557
	HxWxD		26.2 x 19.1 x .2	26.2 x 26.8 x .2	27.8 x 39.8 x .2	27.8 x 52.8 x .2
			665 x 485 x 6	665 x 681 x 6	706 x 1011 x 6	706 x 1341 x 6
	Catalog Number		EH3/4423	EH3/4431	EH3/4444	
	HxWxD		44.3 x 23.2 x 12.9	44.3 x 30.9 x 12.9	44.3 x 43.9 x 12.9	
			1125 x 589 x 328	1125 x 785 x 328	1125 x 1115 x 328	
	Weight (Lbs.)		55.85	68.21	99.34	
	Catalog Number		EH3/4423AP	EH3/4431AP	EH3/4444AP	EH3/4457AP
	HxWxD		44.3 x 23.2 x 12.9	44.3 x 30.9 x 12.9	44.3 x 43.9 x 12.9	44.3 x 56.9 x 12.9
			1125 x 589 x 328	1125 x 785 x 328	1125 x 1115 x 328	1125 x 1445 x 328
	Weight (Lbs.)		56.29	68.21	99.34	
NON-METALLIC MOUNTING PLATE	Catalog Number		BP3/4423	BP3/4431	BP3/4444	
	HxWxD		36 x 19.1 x .2	36 x 26.8 x .2	36 x 39.8 x .2	Please contact us
			914 x 485 x 508	914 x 681 x 18	914 x 1011 x 6	
	Catalog Number	EFP19	EFP24	EFP31	EFP44	EFP57
	HxWxD	36 x 17.8 x 12.2	36 x 23 x 12.2	36 x 30.7 x 12.2	36 x 43.3 x 12.2	36 x 56.3 x 12.2
		914 x 452 x 310	914 x 584 x 310	914 x 780 x 310	914 x 1100 x 310	914 x 1430 x 310
	Weight (Lbs.)	26.27	26.49	33.11	43.27	64.02

NOTE:   - Millimeters

## Pedestals – Non-DIN Sizes

	Catalog Number	EH1/NV-FRP	EH1/V	EH1/NV	
	HxWxD	29.5 x 11.3 x 6.8	29.5 x 11.3 x 6.8	29.5 x 11.3 x 6.8	
	Weight (Lbs.)	10.82	10.26	10.82	
<hr/>					
	Catalog Number	EH2-S1	EH2-S2	EH2-S3	
	HxWxD	13.2 x 16.7 x 9.4	23.2 x 16.7 x 9.4	33.9 x 16.7 x 9.4	
	Weight (Lbs.)	10.82	22.30	29.27	
<hr/>					
NON-METALLIC MOUNTING PLATE	Catalog Number	BP2-S1	BP2-S2	BP2-S3	
	HxWxD	7.9 x 15.5 x .2	17.8 x 15.5 x .2	27.6 x 15.5 x .2	
		201 x 394 x 6	452 x 394 x 6	701 x 394 x 6	
<hr/>					
	Catalog Number	EH2/1117	EH2/2017	EH2/3117	EH2/4117
	HxWxD	43.2 x 16.7 x 9.4	53.1 x 16.7 x 9.4	63.9 x 16.7 x 9.4	74.6 x 16.7 x 9.4
	Weight (Lbs.)	1097 x 424 x 239	1349 x 424 x 239	1623 x 424 x 239	1895 x 424 x 239
<hr/>					
NON-METALLIC MOUNTING PLATE	Catalog Number	BP2-1117	BP2-2017	BP2-3117	BP2-4117
	HxWxD	7.9 x 15.5 x .2	17.8 x 15.5 x .2	27.5 x 15.5 x .2	27.5 x 15.5 x .2
		201 x 394 x 6	452 x 394 x 6	699 x 394 x 6	699 x 394 x 6
<hr/>					
	Catalog Number	EHGD/3427A	EHGD/3434A	EHGD/3447A	EH3DC/3544-2
	HxWxD	34.5 x 26.6 x 16.7	34.5 x 34.3 x 16.7	34.5 x 47.2 x 16.7	
		876 x 676 x 424	876 x 871 x 424	876 x 1199 x 424	
<hr/>					
NON-METALLIC MOUNTING PLATE	Catalog Number	EFPGD-27A	EFPGD-34A	EFPGD-47A	
	HxWxD	26.2 x 19.1 x .2	26.2 x 26.8 x .2	27.8 x 39.8 x .2	
		665 x 485 x 6	665 x 681 x 6	706 x 1011 x 6	
<hr/>					
	Catalog Number	EHGD/4427C	EHGD/4434C	EHGD/4447C	
	HxWxD	44.3 x 26.6 x 26.6	44.3 x 34.3 x 26.6	44.3 x 47.2 x 26.6	
		1125 x 676 x 676	1125 x 871 x 676	1125 x 1199 x 676	
<hr/>					
NON-METALLIC MOUNTING PLATE	Catalog Number	EFPGD-27C	EFPGD-34C	EFPGD-47C	
	HxWxD	36 x 19.1 x .2	36 x 26.8 x .2	36 x 39.8 x .2	
		914 x 485 x 6	914 x 681 x 6	914 x 1011 x 6	

NOTE:  - Millimeters

## Type EH1



- Cover is made of an alloy of engineered polymer or gray, hot compression molded fiberglass reinforced polyester (for extremely high ambient temperatures).
- Base of hot-foamed polyethylene (high density).
- Closed by tamperproof polyamide screws.
- The upper part of the base serves as a mounting plate and is provided with a number of slots and mounting holes.
- Protection degree to IEC 529 and BS 5490:
  - IP43 for the non ventilated type
  - IP23 for the ventilated type
  - NEMA 3R
- Molded-in burial section.
- Weight: 7.5 lbs.

### EH1/NV

Non ventilated thermo/plastic

### EH1/V

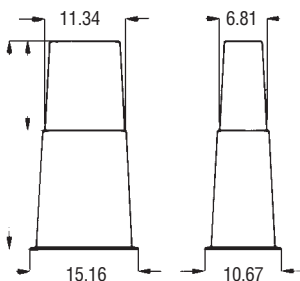
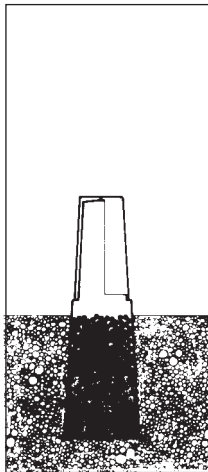
Ventilated thermo/plastic

### EH1/NV-FRP

Non ventilated polyester

### 11810-025

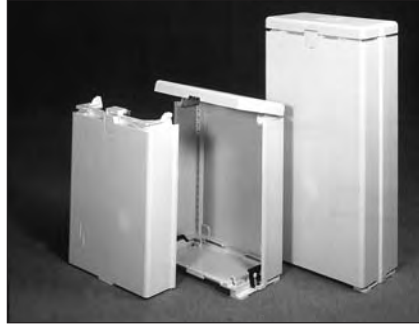
Wrench for tamperproof screws



Dimensions on page 229

## Type EH2- short

### Pedestals without base



- Pedestals of hot compression molded fiberglass reinforced polyester.
- Fully integrated locking clamp, suitable for a profile half cylinder lock and made vandal proof by a plastic cap.
- Mounting holes for threaded inserts M6 are provided in the rear panel allowing busbars.
- Depth 9.4", width 16.7", three heights.
- Ventilated enclosure with protection degree IP43 and double insulation □
- NEMA 3R.
- Can be pad mounted.
- Wall mounting hardware available.

### 320227.100

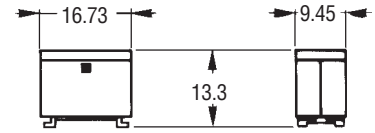
Wall mounting hardware



Dimensions on page 229

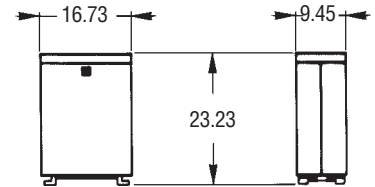
### EH2-S1 BP2-S1

Pedestal, height 13.3" (338 mm)  
Non-metallic mounting plate  
(7.87 x 15.55 x .25)



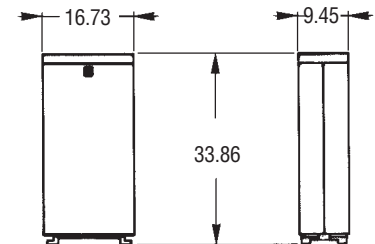
### EH2-S2 BP2-S2

Pedestal, height 23.2" (589 mm)  
Non-metallic mounting plate  
(17.72 x 15.55 x .25)



### EH2-S3 BP2-S3

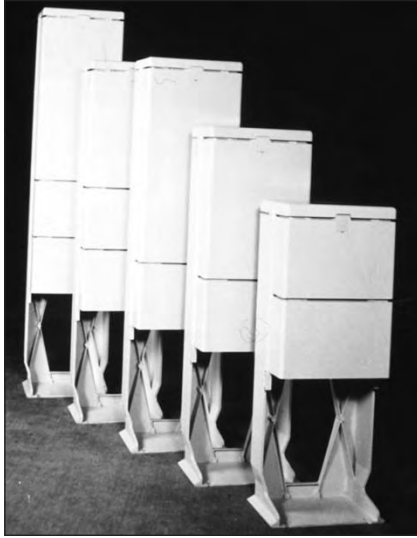
Pedestal, height 33.85" (860 mm)  
Non-metallic mounting plate  
(27.56 x 15.55 x .25)




Locks-profile half cylinder pattern, see page 228. Accessories, see page 228.

## Type EH2

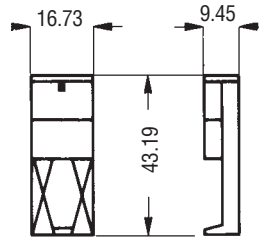
### Column cabinets



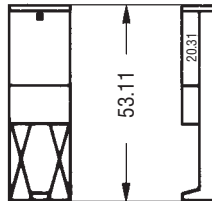
- Columns made of light gray, hot compression, molded fiberglass reinforced polyester.
- High protection: at least IP43 according to EN 60528, IEC 529 and BS 5490; NEMA 3R.
- Total insulation:  according to BS 5490 and IEC 529.
- High mechanical impact strength: IPxx-11 according to NBN C20-001, annex A.
- Corrosion resistant
- UV stabilized for outdoor applications.
- Suitable for use in environments from -51°F to +225°F (-35°C to +125°C). Temporarily exceeding these temperatures will not be harmful.
- The front part of the column consists of lift-off segments.
- The upper segment is fitted with a recessed lock box for keylock cylinder inserts, protected by a vandal proof plastic cap.
- The rear part has raised mounting points for threaded inserts M6, allowing direct mounting of busbars, a frame, a mounting plate or components.
- Burial section and above ground structure is molded as one part on most models.
- Built-in rainhood.



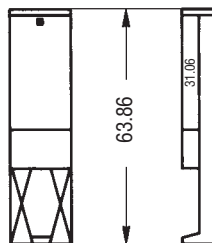
- EH2/1117** Factory-assembled pedestal height 43.19" (1097 mm)
- BP2-1117** Non-metallic mounting plate (7.87 x 15.55 x .20)



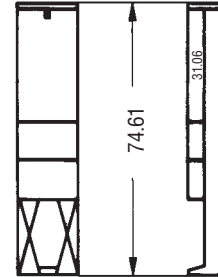
- EH2/2017** Factory-assembled pedestal height 53.11" (1349 mm)
- BP2-2017** Non-metallic mounting plate (17.72 x 15.55 x .20)



- EH2/3117** Factory-assembled pedestal height 68.86" (1622 mm)
- BP2-3117** Non-metallic mounting plate (27.55 x 15.55 x .20)



- EH2/4117** Factory-assembled pedestal height 74.61" (1895 mm)
- BP2-3117** Non-metallic mounting plate (27.55 x 15.55 x .20)



Dimensions on page 230



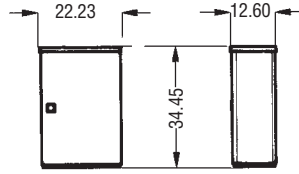
**Type EH3**



- Made of light gray, hot compression molded fiberglass reinforced polyester.
- High protection: at least IP43 according to EN 60529, IEC 529 and BS 5490, NEMA 3R.
- Total insulation: □ according to BS 5490 and IEC 529.
- High mechanical impact strength: IPxx-11 according to NBN C20-001, annex A.
- Corrosion resistant
- UV stabilized for outdoor applications.
- Suitable for use in environments from -51°F to +225°F (-35°C to +125°C). Temporarily exceeding these temperatures will not be harmful.
- To be mounted on a base with DIN standard dimensions between the fixation points.
- The rear part has mounting holes for screws M10, allowing direct mounting of busbars, a frame or a mounting plate for components.
- Cabinets can be coupled together side to side or double deep.
- Easily removable doors allow free access for maintenance.
- Fully integrated lock box, suitable for a profile half cylinder lock.
- Three-point locking system operated by a covered handle to reduce vandalism.

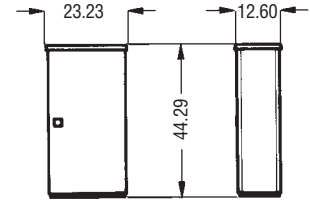
**EH3/3523  
BP3/3523**

Cabinet  
Non-metallic mounting  
plate with screws  
(26.18 x 19.09 x .20)



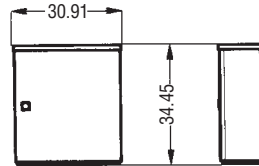
**EH3/4423  
BP3/4423**

Cabinet  
Non-metallic mounting  
plate with screws  
(36.02 x 19.09 x .20)



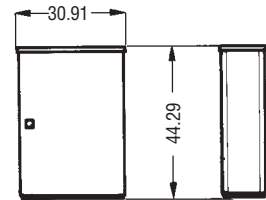
**EH3/3531  
BP3/3531**

Cabinet  
Non-metallic mounting  
plate with screws  
(26.18 x 26.77 x .20)



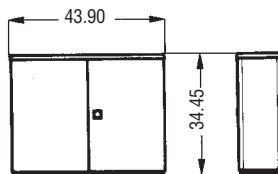
**EH3/4431  
BP3/4431**

Cabinet  
Non-metallic mounting  
plate with screws  
(36.02 x 26.77 x .20)



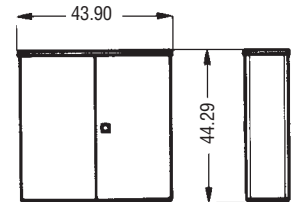
**EH3/3544  
BP3/3544**

Cabinet  
Non-metallic mounting  
plate with screws  
(27.76 x 39.37 x .20)



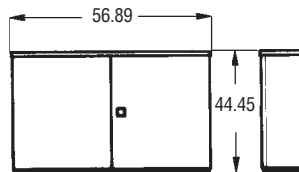
**EH3/4444  
BP3/4444**

Cabinet  
Non-metallic mounting  
plate with screws  
(36.02 x 39.37 x .20)



**EH3/3557  
BP3/3557**

Cabinet  
Non-metallic mounting  
plate with screws  
(27.76 x 52.76 x .20)



Dimensions on page 231.

## Type EH3/AP

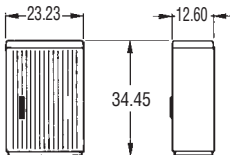
### Cabinets with poster-proof surface



- Grooved door and rear panels make poster sticking difficult and causes poster to drop off quickly.
- The same features of EH3, except for the locking system.
- Three-point locking system operated by a solid handle.
- Not recessed handle resulting in more usable space inside the cabinet.

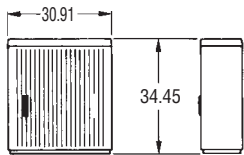
**EH3/3523AP  
BP3/3523**

Cabinet  
Non-metallic mounting  
plate with screws  
(26.18 x 19.09 x .20)



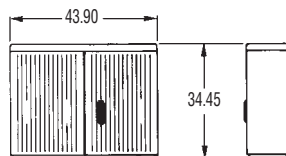
**EH3/3531AP  
BP3/3531**

Cabinet  
Non-metallic mounting  
plate with screws  
(26.18 x 26.77 x .20)



**EH3/3544AP  
BP3/3544**

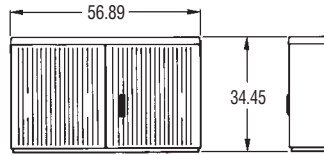
Cabinet  
Non-metallic mounting  
plate with screws  
(27.76 x 39.37 x .20)



Dimensions on page 103.

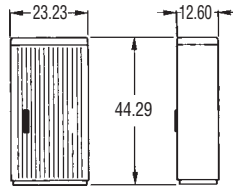
**EH3/3557AP  
BP3/3557**

Cabinet  
Non-metallic mounting  
plate with screws  
(27.76 x 52.76 x .20)



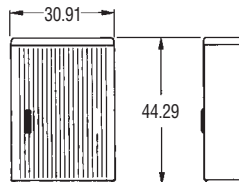
**EH3/4423AP  
BP3/4423**

Cabinet  
Non-metallic mounting  
plate with screws  
(36.02 x 19.09 x .20)



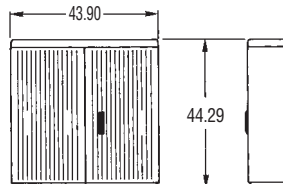
**EH3/4431AP  
BP3/4431**

Cabinet  
Non-metallic mounting  
plate with screws  
(36.02 x 26.77 x .20)



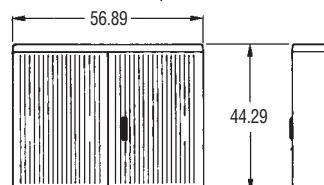
**EH3/4444AP  
BP3/4444**

Cabinet  
Non-metallic mounting  
plate with screws  
(36.02 x 39.37 x .20)



**EH3/4457AP  
Consult factory**

Cabinet  
Non-metallic mounting  
plate with screws  
(36.02 x 25.40 x .20)



## Type EH3/DC

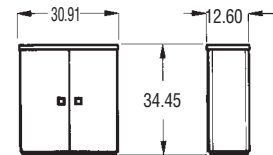
### Cabinets with two compartments



- Two compartments partitioned for separate functional requirements.
- The same features of EH3.
- Individual locking system for each of the two compartments.
- Mounting plates included, except for the right compartment of EH3/DC-2.

**EH3DC/3531-1**

Unique mounting  
plate for both  
compartments



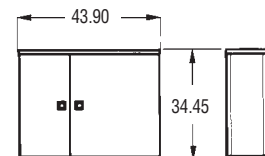
**EH3DC/3544-2**

Include:

- mounting plate for left compartment (28.35x12.99x.20)
- inserts M10 in back of right compartment

**BP3DC/3544-2**

For the right  
compartment:  
non-metallic  
mounting  
plate  
(27.76 x 24.41 x .20)  
with screws



Dimensions on page 233.

## Type EH3/GD

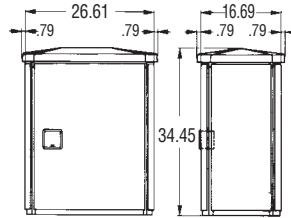
### Cabinets with greater depth



- Door, rear and side panels: hot compression molded fiberglass reinforced polyester.
- Top rainhood, fiberglass reinforced polyester.
- Provided with fixing points for floor or base mounting.
- M10 fixing points provided in each panel, allowing mounting of a busbar, a frame, a mounting plate or components.
- Totally integrated lock casing, in fiberglass reinforced polyamide.
- Three-point latching mechanism actuated by one handle.
- Supplied with open bottom.
- Possibility of pivoting door on each side.
- Double insulation.
- Ventilated cabinet: protection degree IP43-11.

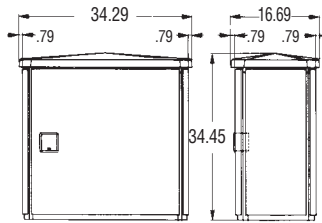
**EHGD/3427A**  
**EFPGD-27A**

34.5 x 26.6 x 16.7  
Non-metallic  
mounting plate



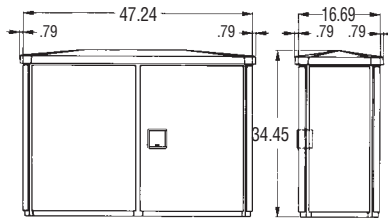
**EHGD/3434A**  
**EFPGD-34A**

34.5 x 34.3 x 16.7  
Non-metallic  
mounting plate



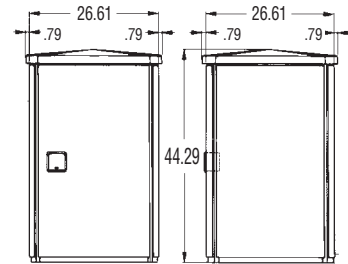
**EHGD/3447A**  
**EFPGD-47A**

34.5 x 47.2 x 16.7  
Non-metallic  
mounting plate



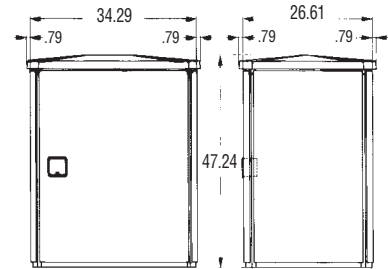
**EHGD/4427C**  
**EFPGD-27C**

44.3 x 26.6 x 26.6  
Non-metallic  
mounting plate



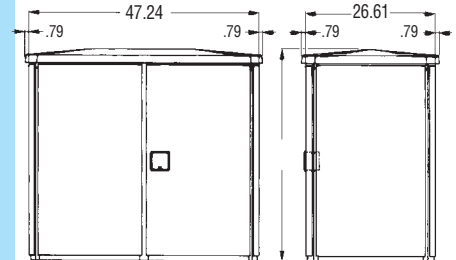
**EHGD/4434C**  
**EFPGD/34C**

44.3 x 34.3 x 26.6  
Non-metallic  
mounting plate



**EHGD/4447C**  
**EFPGD-47C**

44.3 x 47.2 x 26.6  
Non-metallic  
mounting plate



On request:  
cabinets with depth of 21.7 or 26.6

Dimensions on pages 234 and 235.

## Type EH6

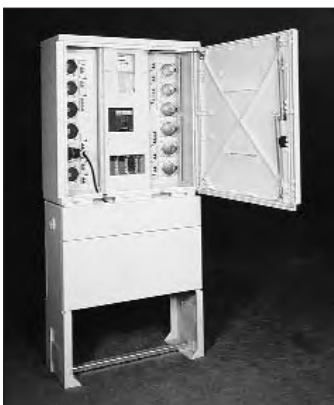
### Low cost cabinets



- Cabinets made of light gray, hot compression molded, fiberglass reinforced polyester.
- High protection: at least IP43 according to NBN C20-001, IEC 529 and BS 5490, NEMA 3R
- Total insulation  $\square$  according to BS 5490 and IEC 529.
- High mechanical impact strength: IPxx-11 according to NBN C20-001.
- Corrosion resistant
- UV stabilized for outdoor applications.
- Temperature resistance: -51°F to +225°F (-35°C to +125°C)
- The same features of EH3, except for the mounting holes.
- The rear part has mounting holes for self tapping screws M8, allowing direct mounting of busbars, a frame, a mounting plate or components.
- 180° plus door opening.

### Special features on request

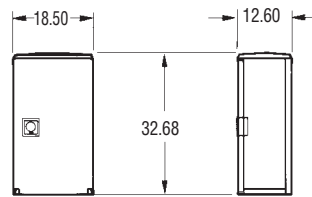
- Rear door
- Left hinged door
- IP54 protection degree
- Bottom plate
- Wall mounting unit



#### EH6/3219

Cabinet IP54-11 & IP43-11  
Non-metallic mounting plate  
(27.68 x 14.17 x .20)

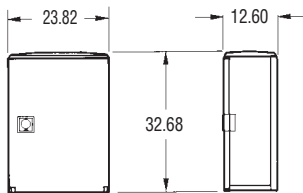
#### BP6/3219



#### EH6-3224

Cabinet IP54-11 & IP43-11  
Non-metallic mounting plate  
(27.68 x 19.49 x .20)

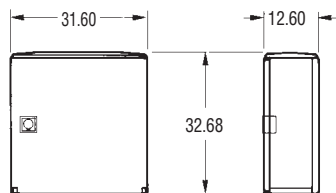
#### BP6/3224



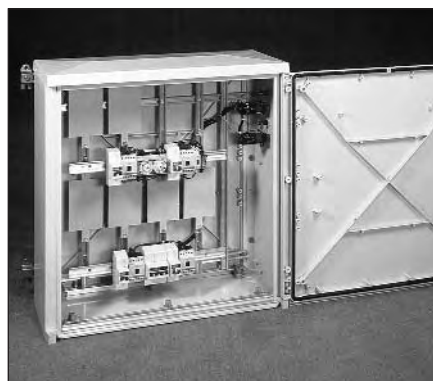
#### EH6/3232

Cabinet IP54-11 & IP43-11  
Non-metallic mounting plate  
(27.68 x 27.17 x .20)

#### BP6/3232



Dimensions on page 105



## Polyester bases for EH3 and EH6 pedestals

DIN-standard bases in accordance with DIN-standard 43629



- Made of fiberglass reinforced polyester
- Complete with stress relieving cable clamp
- Height of all bases: 35.43

#### EFP19

For types 00  
35.43 x 17.72 x 12.20

#### EFP24

For types 0 and 20  
35.43 x 23.03 x 12.20

#### EFP31

For types 1 and 21  
35.40 x 30.70 x 12.20

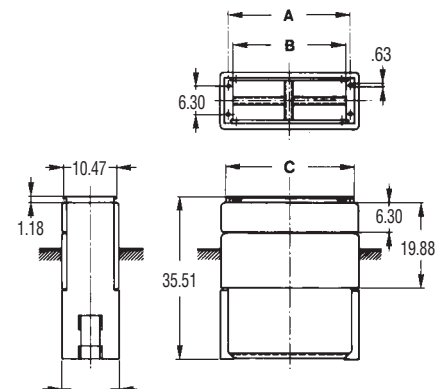
#### EFP44

For types 2 and 22  
35.43 x 43.31 x 12.20

#### EFP57

For types 3 and 23  
35.43 x 56.30 x 12.20

DIN	00	0	1	2	3
A	14.70	19.49	27.17	40.16	53.15
B	11.81	17.13	24.80	37.80	50.78
C	16.14	21.46	29.13	42.13	55.12



**PEDESTAL ACCESSORIES**

**Pocket for drawings**

**1021.020 (PPS)**

Print Pocket

Self adhesive,  
1 per pkg

Width: 8.27  
Height: 5.12



**Louver vent**

**70000.261 (VL)**

Fits one ventilation opening  
Package includes 2 grids  
and 4 rivets

**Vandal proof nameplate holder**

Please contact us

**Locks - profile half cylinder type**

**70000.325**

With 2 keys, V2432-E

**70000.327**

With 1 square key, .31 (8 mm)

**70000.329**

With 1 triangular key, .31 (8 mm)

**70000.330**

With 1 triangular key, .43 (11 mm)

Spare keys or half profile cylinder locks for  
other keys are available on request

**Accessories**

**for EH2**

**119403.050 (M6)**

Threaded inserts, M6



**10000.046 (M6T)**

Special tool for securing threaded inserts M6



**300000-940**

Support for cable release clamp (to be  
ordered separately)



**for EH3**

Easy removal bottom profile clamps:  
please contact us

Door blocker, please contact us

**for EH6**

**M8 (119406-050)**

Threaded inserts, M8



**M5 (119405-150)**

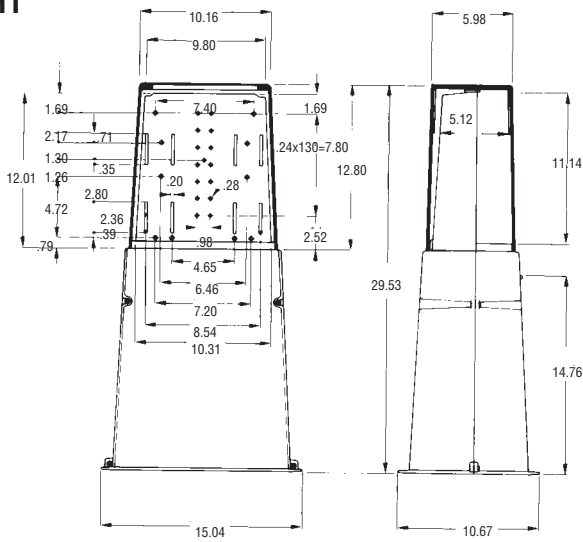
Threaded inserts, M5 (for side panel)



**199887-100**

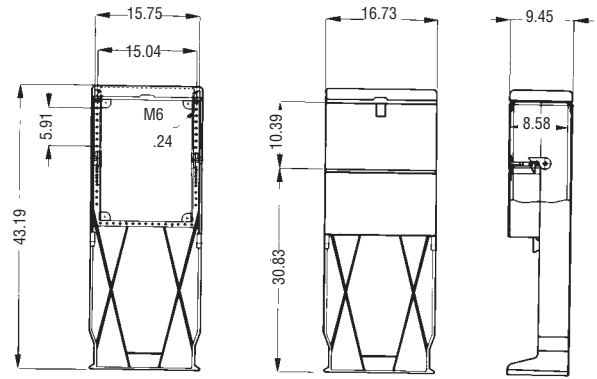
Hi-Lo screw .28 x .01 x 1.02 to fix the busbar  
system

**EH1**



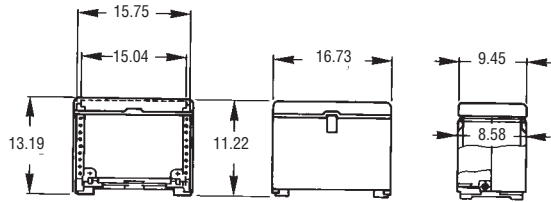
**EH2**

**EH2/1117**

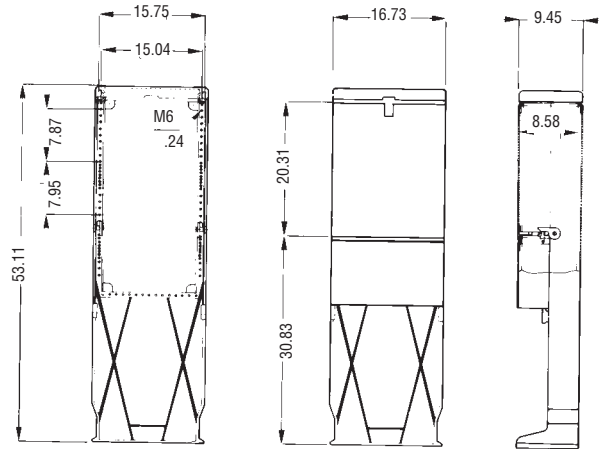


**EH2-short**

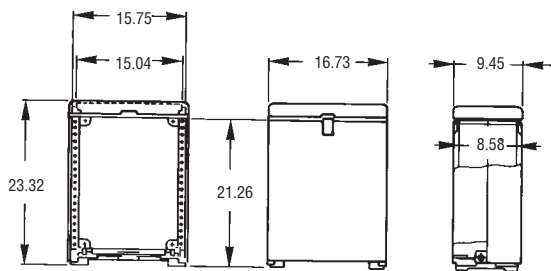
**EH2-S1**



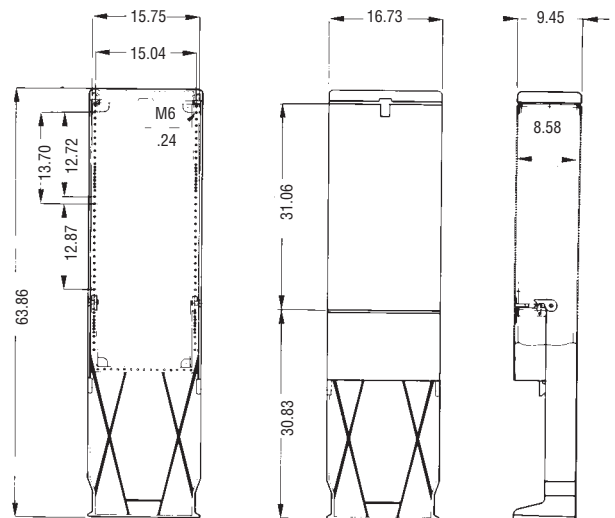
**EH2/2017**



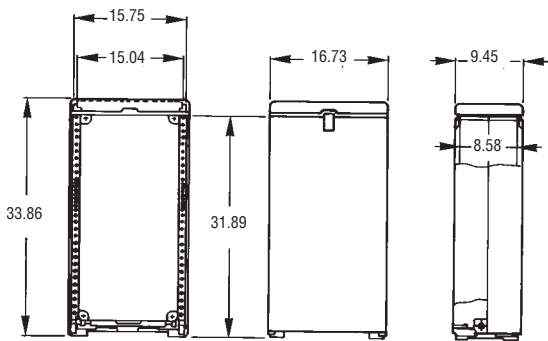
**EH2-S2**



**EH2/3117**

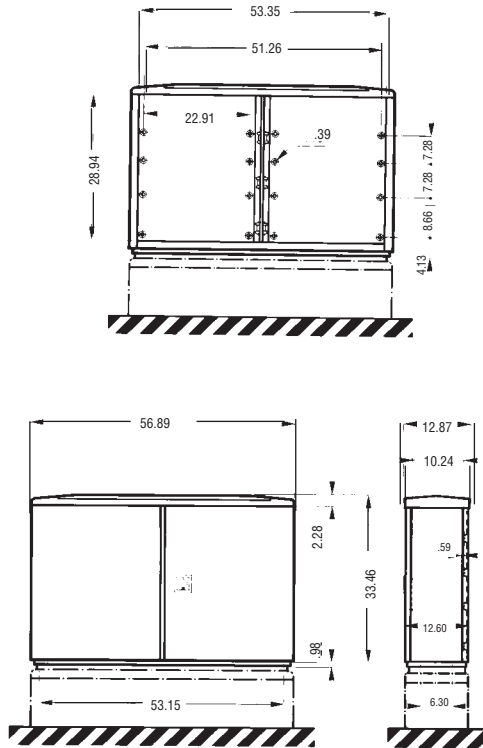


**EH2-S3**

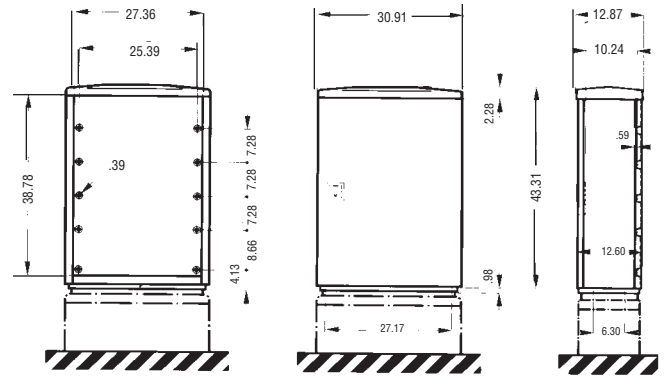




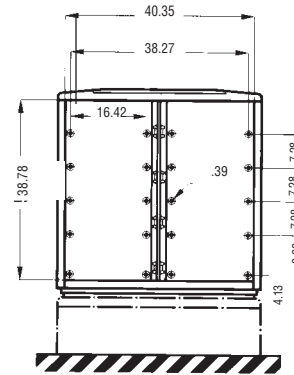
**EH3/3557**



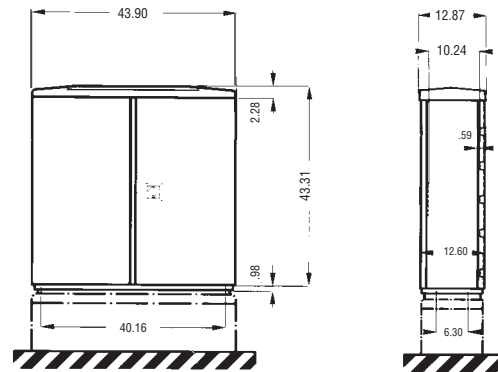
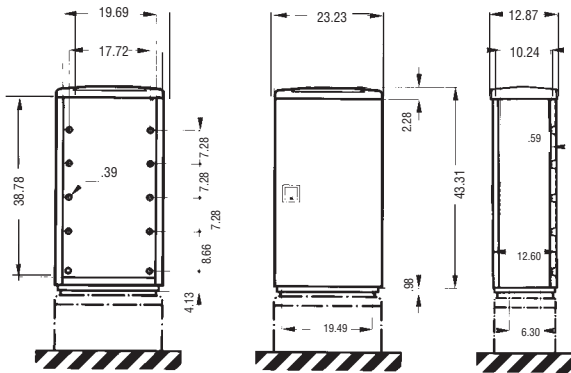
**EH3/4431**



**EH3/4444**

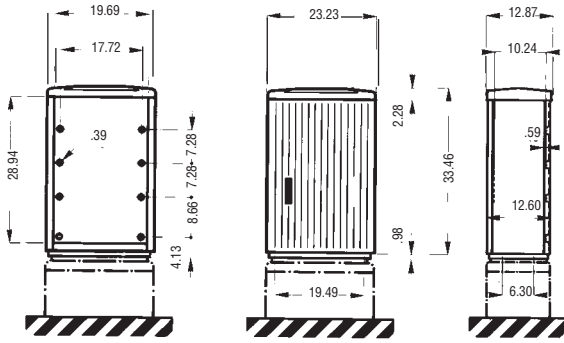


**EH3/4423**

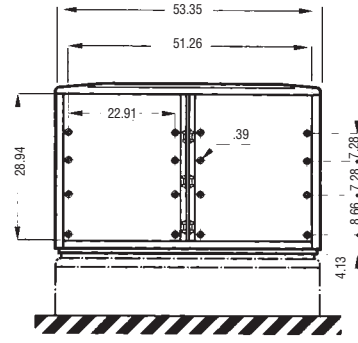


**EH3/AP**

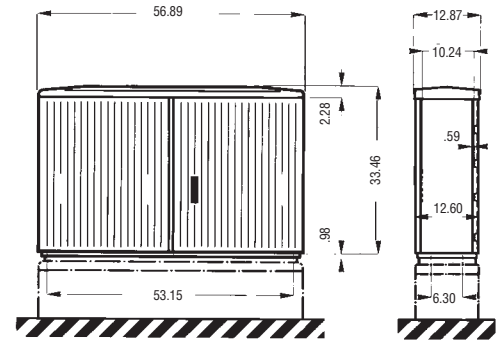
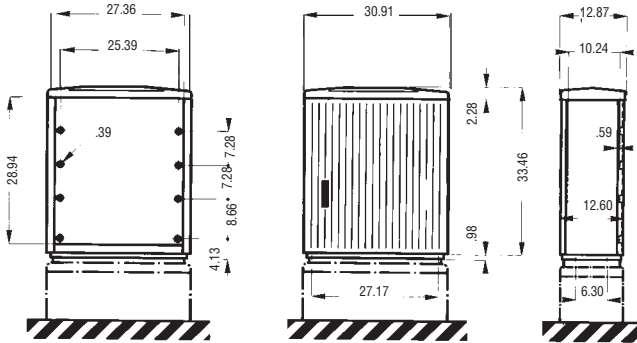
**EH3/3523AP**



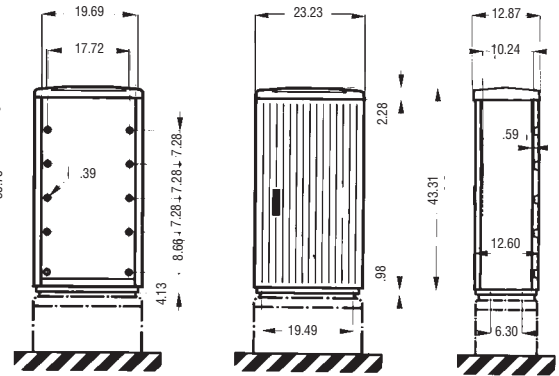
**EH3/3557AP**



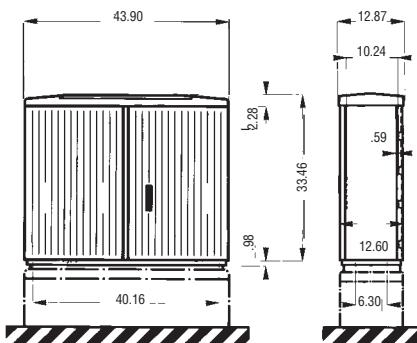
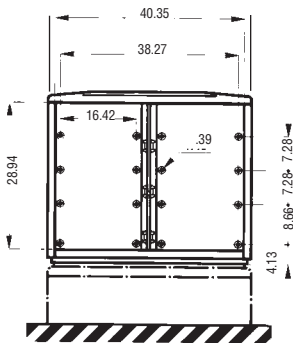
**EH3/3531AP**



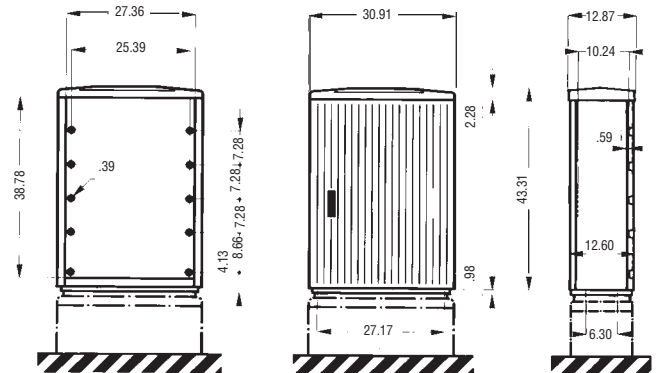
**EH3/4423AP**



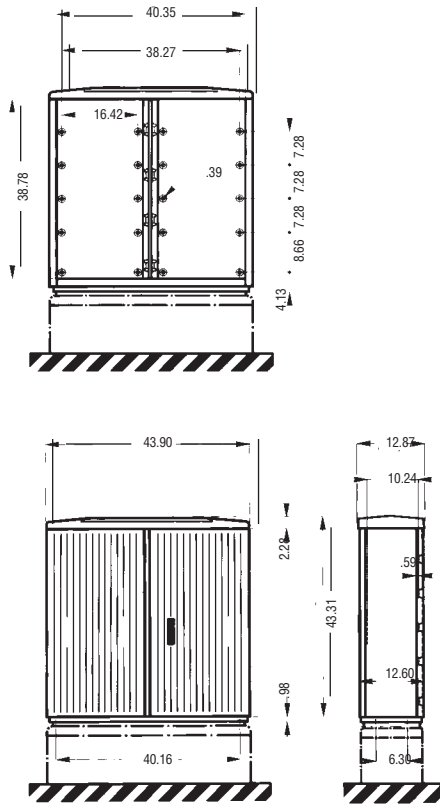
**EH3/3544AP**



**EH3/4431AP**

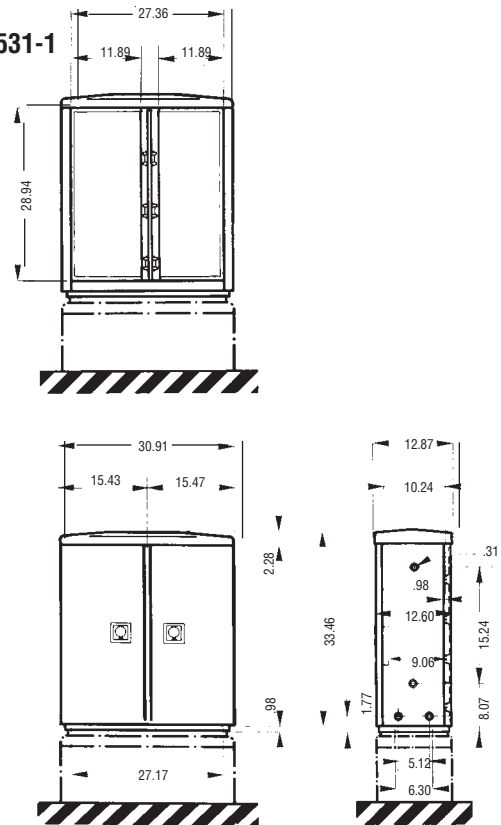


**EH3/4444AP**

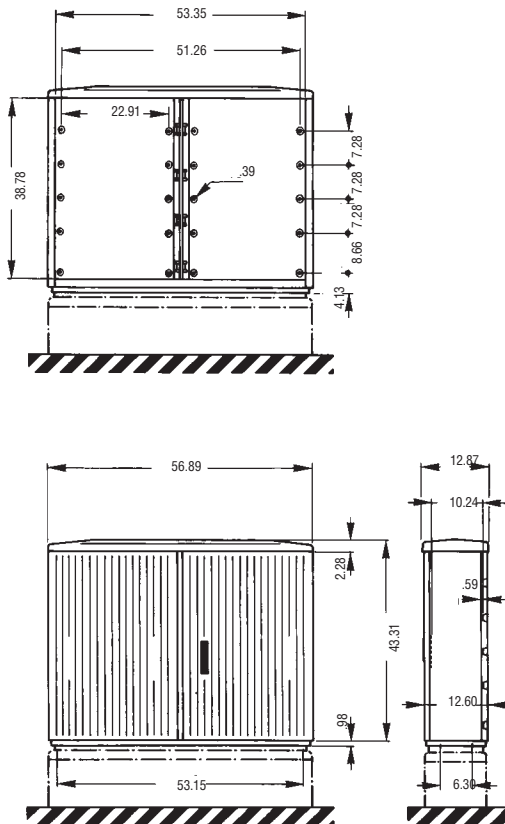


**EH3/DC**

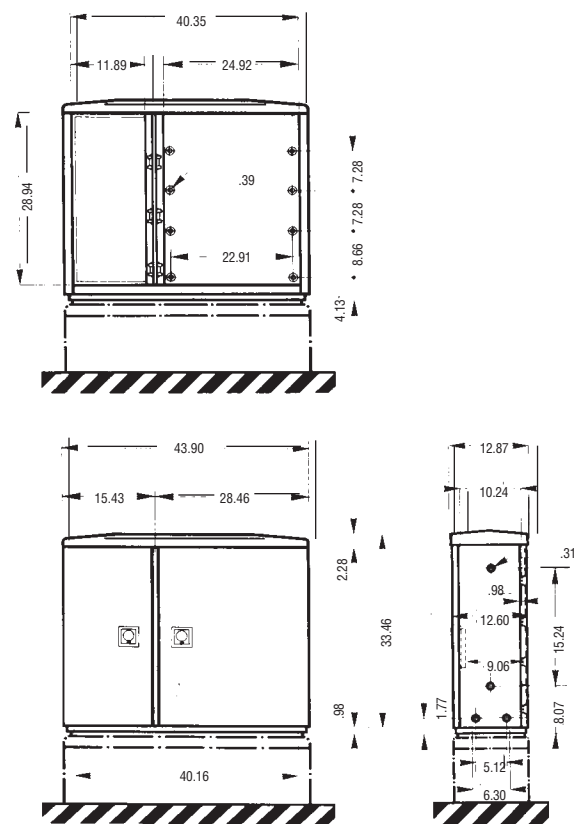
**EH3DC/3531-1**



**EH3/4457AP**



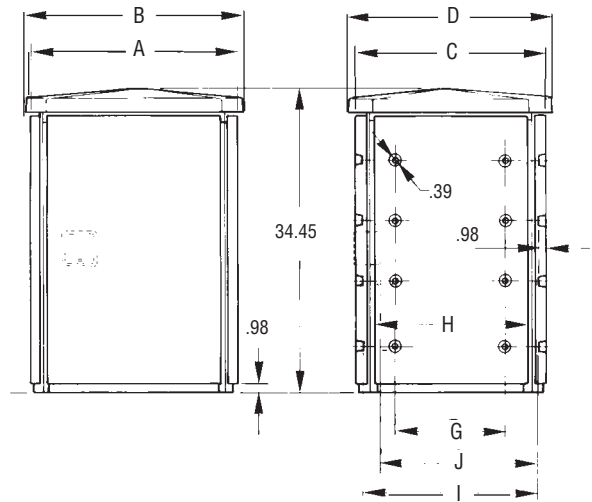
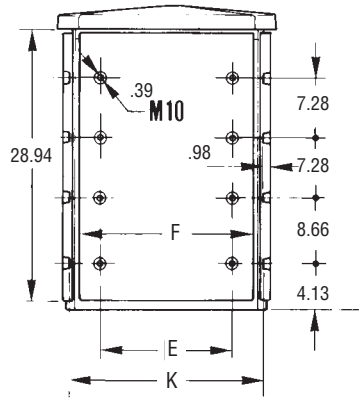
**EH3DC/3544-2**



### EH3/GD

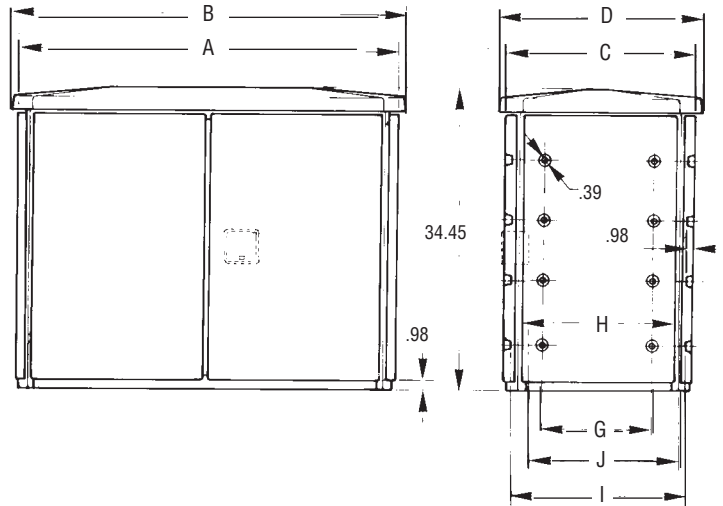
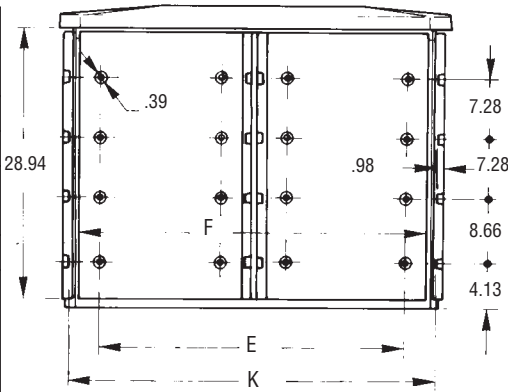
#### EHGD/3427A and EHGD/3434A

Dimensions (inches)		
Type	031	041
A	26.61	34.29
B	28.19	35.87
C	16.69	16.69
D	18.27	18.27
E	17.72	25.39
F	19.69	27.36
G	7.87	7.87
H	9.84	9.84
I	14.80	14.80
J	13.46	13.46
K	24.72	32.64



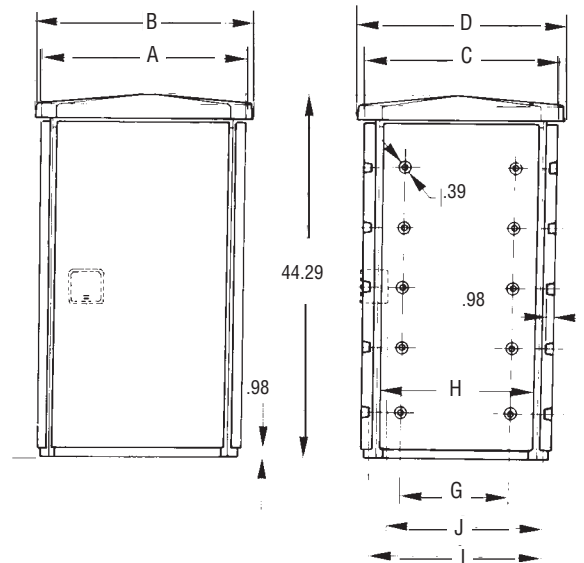
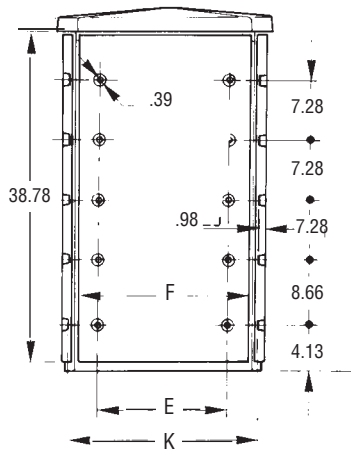
### EHGD/3447A

Dimensions (inches)	
Type	051
A	47.24
B	48.82
C	16.69
D	18.27
E	38.27
F	40.35
G	7.87
H	9.84
I	14.80
J	12.91
K	46.38



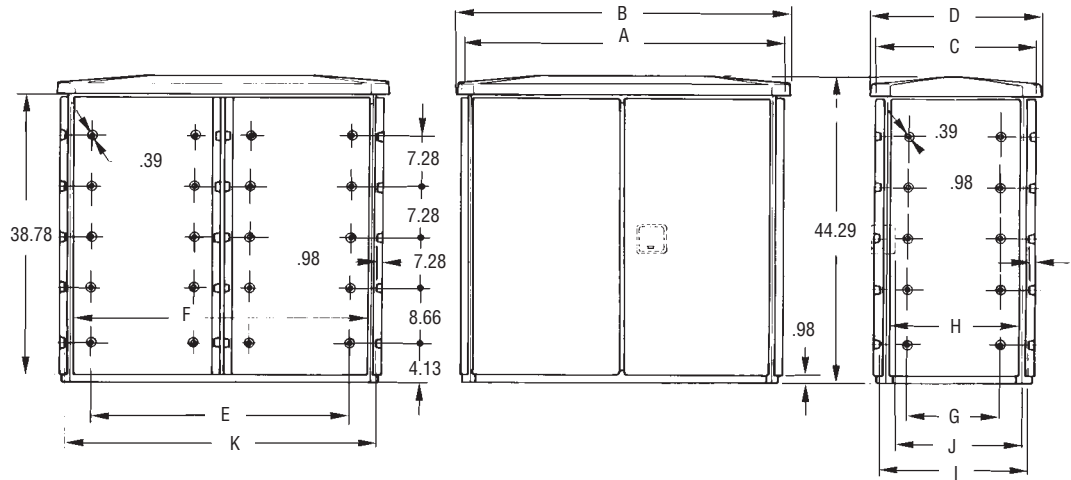
### EHGD/4427C and EHGD/4434C

Dimensions (inches)		
Type	233	243
A	26.61	34.29
B	28.19	35.87
C	26.61	26.61
D	28.19	28.19
E	17.72	25.39
F	11.81	27.36
G	17.72	17.72
H	19.69	19.69
I	24.72	24.72
J	23.39	23.39
K	24.72	32.64



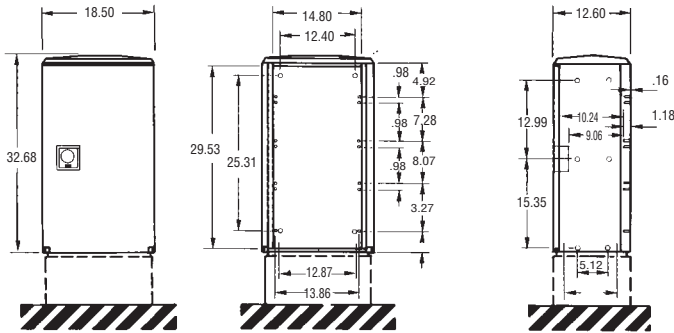
**EHGD/4447C**

Dimensions (inches)	
Type	253
A	47.24
B	48.82
C	26.61
D	28.19
E	38.27
F	40.35
G	17.72
H	19.69
I	24.72
J	22.83
K	46.38

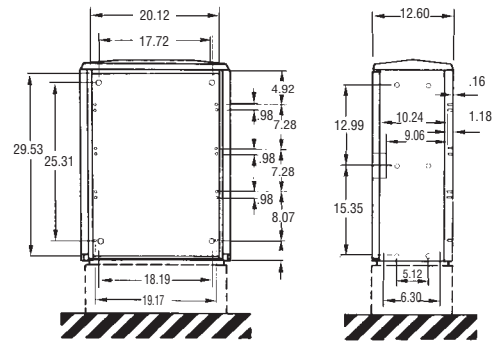


**EH6**

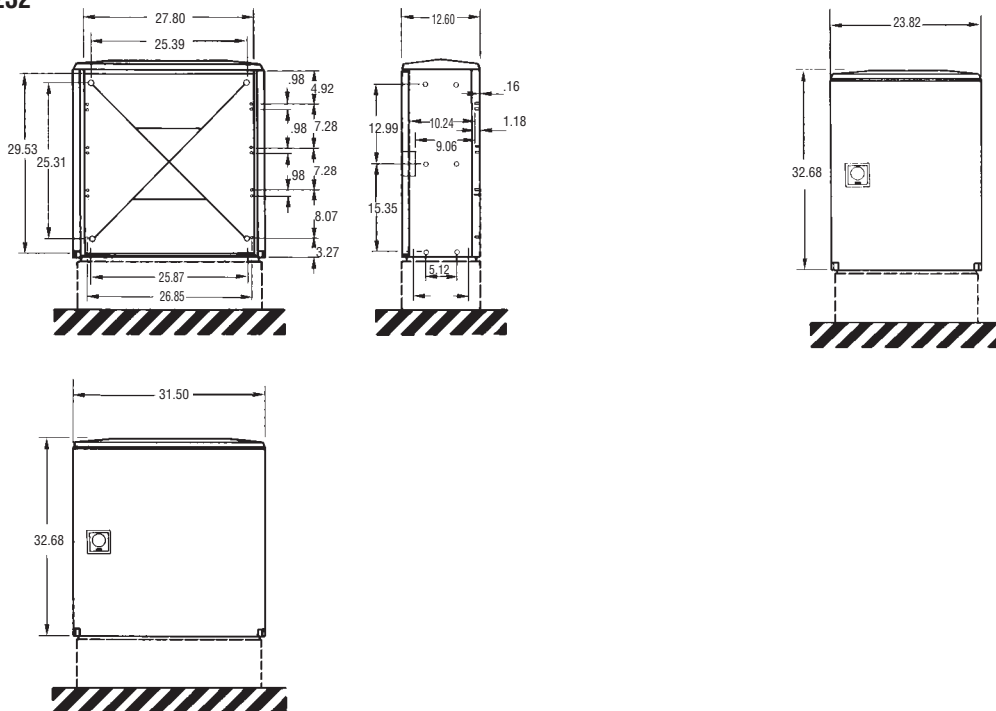
**EH6/3219**



**EH6/3224**



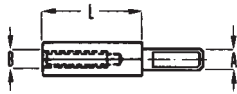
**EH6-3232**



## General Accessories

### Height extension studs (4) per pack

	L (in.)	B A	B B
<b>10.002</b>	.39	M4	M4
<b>15.002</b>	.59	M4	M4
<b>20.002</b>	.79	M4	M4
<b>25.002</b>	.98	M4	M4
<b>30.002</b>	1.18	M4	M4
<b>60.002</b>	2.36	M4	M4
<b>65.002</b>	2.55	M4	M4
<b>97.002</b>	3.81	M4	M4



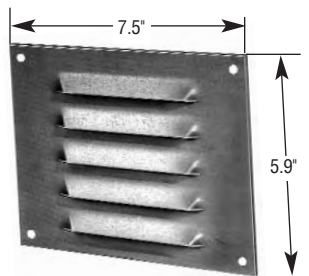
### Back plate stand-off studs 0.25"

**40600.099** (4) per pack

### Louver plate

Fits one ventilation opening.

**70000.261 (VL)** Package includes 2 grids and 4 rivets



Color: Beige  
Standard cutout 5" x 5"

### Document pocket - DIN A4

Self-adhesive

**1021.020 (PPS)** 8.27 x 5.12 x .50  
**1031.010 (PPD)** 9.00 x 8.50 x 1.00  
Color: Beige



### Carrying Handle

**41270.070 (CH)** Height 1.97  
Width reinforcement rib + screws  
Made of Vyncolite  
Color: Black



### Air vents

Two air vents must be mounted per enclosure to ensure sufficient air circulation and prevent condensation water.

Complete with template and screws.  
Air vents are preferably mounted in the upper and lower part of the base.

**10000.010 (MEDV)** Set of 2 pieces in polyamide  
Color: Grey



**SEDV** Small drain vent set of 2 pieces in polyamide  
Color: Grey



## Keys

**70000.356**

For safety-lock No. V2432E



**70000.450**

For safety lock with .31" square (8 mm)



**70000.451**

For safety lock with .31" triangle (8 mm)



**70156.105**

For safety lock with .43" triangle (11 mm)



**70000.452**

For safety lock with double bit yale .12" (3 mm)



**L/034191.009**

Insulated spanner M20 (1000V)



## Latches

**VJLL**

Optional twist latch



**VJPL**

Standard padlockable latch (316 stainless steel)



**VJTPL**

Optional twist padlockable latch



**Surface-mounted windows** □

**SW32** Detail drawings of window on page 47.

**SW44** Detail drawings of window on page 47.

**SW64** Detail drawings of window on page 47.

**95HCD** Hinged, with gasket □ IP55  
Detail drawings of window on page 47.

**SW84N**  
**SW84X**

Screw □ IP67, with indication strip  
Screw □ IP67, without indication strip  
UL listed when factory installed  
Detail drawings of window on page 47.



**SW97**

Screw-on □ IP67  
UL listed when factory installed on any enclosure  
Detail drawings of window on page 47.

