

SUPERPOLYREL

Features

- The range consists of nine cabinets, ranging from 20" x 30" to 50" x 40".
- Cabinet is self-extinguishing, hot molded halogen-free fiberglass reinforced polyester.
- Gray dyed in mass (RAL 7036)
- Designed for wall mounting and free standing units.
- Can be coupled in height, width and depth and still retain UL listing.
- Resists wide temperature range: -58°F to +302°F (-50°C to +150°C), momentary +392°F (200°C)
- Door with 5-point latching mechanism.
- Feature total insulation and a high degree of protection **IP65-11** (IEC 529) and CENELEC EN60529.
- Maintenance-free and corrosion resistant.
- For indoor and outdoor applications.
- Available with floor mounting pads.

Application

This stylized, worldclass enclosure is a highly effective corrosion-resistant housing for electrical and electronic controls. The enclosure provides outstanding protection against atmospheric and marine corrosion in indoor or outdoor settings including petrochemical plants, water treatment facilities and electroplating plants. Window cover enclosure provides easy visual inspection of interior components.

Standards

IEC 439-1
 IEC 529 - Rated IP65-11
 EN 60439-1
 CENELEC EN 60529

Approvals



UL types 3, 3R, 3S, 4, 4X and 12



CSA types 2, 3, 3R, 3S, 4, 4X and 12



LLOYD'S REGISTER OF SHIPPING
 Cert. 600763/17/10/79

Standard Options

Rainhood and floor mounting pads



SUPERPOLYREL

Door available front and rear



Coupled vertically



Static Load

Back panel mounting brackets:
 Equivalent load of 2838 lbs total.

Back panel studs:
 Equivalent load on 4 bolts is 2449 lbs
 Stainless steel mounting feet:
 750 lbs total

Load on door of buried Superpolyrel (horizontal burial-door upwards)

Deformation occurred slightly at 1820 lbs for SP4030 enclosure. This would be equivalent to approx 3 ft of soil, depending on composition. Shallow depth burial is recommended unless a support panel is laid across the door.



FRP NEMA rating 3, 3R, 4, 4X, 12 & 13 enclosures Superpolyrel with Polyester Cover

Additional depths available

Depth extension in 12" increments maintaining UL-listing

Includes (4) stainless steel mounting feet



FEATURES

- Designed for wall mounting and free standing units
- Can be coupled in height, width, and depth
- Temperature resistance -58°F to +302°F (-50°C to +150°C)
Momentary to +392°F (200°C)
- Door has a single entry five-point latching system
- Available in pedestal version

ACCESSORIES

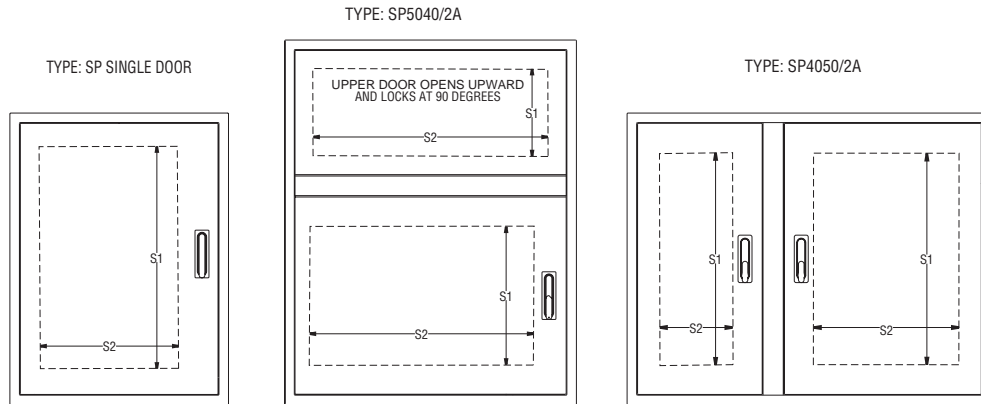
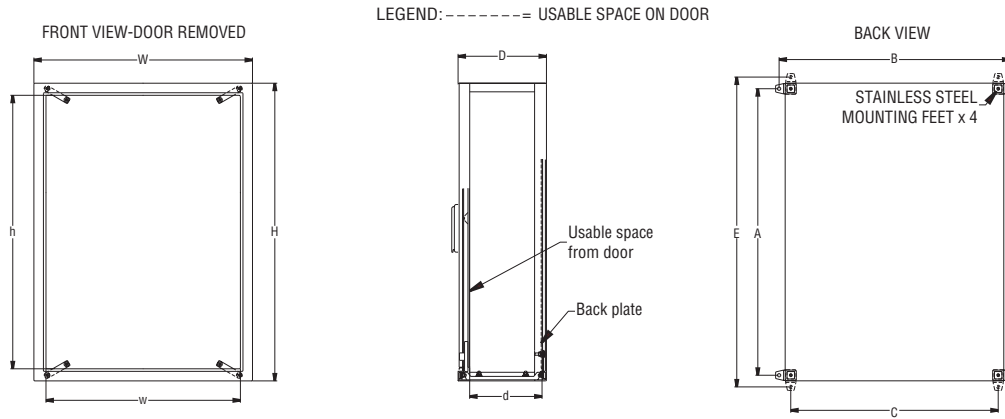
- Key-lock cylinders and padlockable handles
- Adjustable mounting hardware
- Rainhoods
- Floorpads

SUPERPOLYREL

Part Number	Outside Dimensions			Inside Dimensions			Weight	Part Numbers		
	H	W	D	h	w	d		Steel	Non-Metallic	Dimensions
SP2030A (mm)	19.69 (500)	29.53 (750)	11.81 (300)	16.14 (410)	25.98 (660)	10.24 (260)	35 lb 15.9 kg	BP32S	BP32N	15.75 x 25.60 (400 x 650)
SP3020A (mm)	29.53 (750)	19.69 (500)	11.81 (300)	25.98 (660)	16.14 (410)	10.24 (260)	35 lb 15.9 kg	BP32S	BP32N	25.60 x 15.75 (650 x 400)
SP3030A (mm)	29.53 (750)	29.53 (750)	11.81 (300)	25.98 (660)	25.98 (660)	10.24 (260)	43.7 lb 19.8 kg	BP33S	BP33N	25.60 x 25.60 (650 x 650)
SP3040A (mm)	29.53 (750)	39.37 (1000)	11.81 (300)	25.98 (660)	35.83 (910)	10.24 (260)	52.3 lb 23.7 kg	BP43S	BP43N	25.60 x 35.45 (650 x 900)
SP4030A (mm)	39.37 (1000)	29.53 (750)	11.81 (300)	35.83 (910)	25.98 (660)	10.24 (260)	52.3 lb 23.7 kg	BP43S	BP43N	35.34 x 25.60 (900 x 650)
SP4040A (mm)	39.37 (1000)	39.37 (1000)	11.81 (300)	35.83 (910)	35.83 (910)	10.24 (260)	65 lb 29.5 kg	BP44S	BP44N	35.45 x 35.45 (900 x 900)
SP5030A (mm)	49.21 (1250)	29.53 (750)	11.81 (300)	45.67 (1160)	25.98 (660)	10.24 (260)	64.5 lb 29.3 kg	BP53S	BP53N	45.25 x 25.60 (1150 x 650)
SP4050/2A (mm)	39.37 (1000)	49.21 (1250)	11.81 (300)	35.83 (910)	45.67 (1160)	10.24 (260)	78 lb 35.3 kg	BP54S	BP54N	35.45 x 45.25 (900 x 1150)
SP5040/2A (mm)	49.21 (1250)	39.37 (1000)	11.81 (300)	45.67 (1160)	35.83 (910)	10.24 (260)	78 lb 35.3 kg	BP54S	BP54N	45.25 x 35.45 (1150 x 900)

Replacement parts available. See page 191.

NOTE: - Millimeters



Catalog Number	Outside			Inside			Weight (Lbs.)	Wall Mounting				User Space	
	H	W	D	h	w	d		A	B	C	E	S1	S2
SP2030A	19.68	29.52	11.81	16.12	26.00	10.25	35	18.11	31.10	27.95	21.20	20.00	9.00
	500	750	300	410	660	260		460	790	710	538	508	229
SP3020A	29.52	19.68	11.81	26.00	16.12	10.25	35	27.95	21.25	18.11	31.10	11.00	18.50
	750	500	300	660	410	260		710	540	460	790	279	470
SP3030A	29.52	29.52	11.81	26.00	26.00	10.25	43.7	27.95	31.10	27.95	31.10	20.00	18.50
	750	750	300	660	660	260		710	790	710	790	508	470
SP3040A	29.52	39.37	11.81	26.00	35.75	10.25	52.3	27.95	40.94	39.79	31.10	30.00	18.50
	750	1000	300	660	910	260		710	1040	1011	790	762	470
SP4030A	39.37	29.52	11.81	35.75	26.00	10.25	52.3	37.79	31.10	27.95	40.94	20.00	28.00
	1000	750	300	910	660	260		960	790	710	1040	508	711
SP4040A	39.37	39.37	11.81	35.75	35.75	10.25	65	37.79	40.94	37.79	40.94	30.00	28.00
	1000	1000	300	910	910	260		960	1040	960	1040	762	711
SP5030A	49.21	29.52	11.81	45.75	26.00	10.25	64.5	47.63	31.10	47.63	40.94	20.00	38.50
	1250	750	300	1160	660	260		1210	790	1210	1040	508	978
SP4050A/2A	39.37	49.21	11.81	35.75	45.75	10.25	78	37.79	50.78	27.95	50.78	28.5	18.5
(L)	1000	1250	300	910	1160	260		960	1290	710	1290	724	470
Right door (R)												32.0	15.0
												813	381
SP5040A/2A	49.21	39.37	11.81	45.75	35.75	10.25	78	47.63	40.94	37.79	50.78	15.5	32.0
(T)	1250	1000	300	1160	910	260		1210	1040	960	1290	394	813
Bottom door(B)												18.5	30.0
												470	762

NOTE: - Millimeters

SUPERPOLYREL

FRP NEMA rating 3, 3R, 4, 4X, 12 & 13 Superpolyrel with Polyester Cover – Greater Depth Version

Additional depths available. Depth extension in 16" increments maintaining UL-listing
Includes (4) stainless steel mounting feet



FEATURES

- Designed for wall mounting and free standing units
- Can be coupled in height, width, and depth
- Temperature resistance -58°F to +302°F (-50°C to +150°C)
Momentary to +392°F (200°C)
- Door has a single entry five-point latching system
- Available in pedestal version
- RoHS European Union

ACCESSORIES

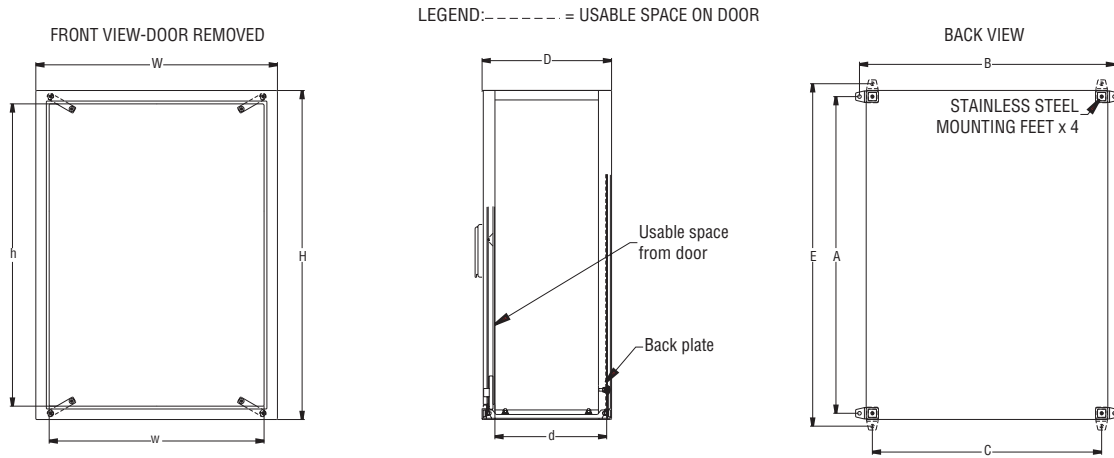
- Key-lock cylinders and padlockable handles
- Adjustable mounting hardware
- Rainhoods
- Floorpads

SUPERPOLYREL

Part Number	Outside Dimensions			Inside Dimensions			Weight	Part Numbers Back Plates*				Dimensions
	H	W	D	h	w	d						
SP2030DA (mm)	19.69 (500)	29.53 (750)	15.75 (400)	16.14 (410)	25.98 (660)	13.98 (355)	38 lb 17.2 kg	BP32A	BP32S	BP32N	BP32G	15.75 x 25.60 (400 x 650)
SP3020DA (mm)	29.53 (750)	19.69 (500)	15.75 (400)	25.98 (660)	16.14 (410)	13.98 (355)	38 lb 17.2 kg	BP32A	BP32S	BP32N	BP32G	25.60 x 15.75 (650 x 400)
SP3030DA (mm)	29.53 (750)	29.53 (750)	15.75 (400)	25.98 (660)	25.98 (660)	13.98 (355)	49 lb 22.2 kg	BP33A	BP33S	BP33N	BP33G	25.60 x 25.60 (650 x 650)
SP3040DA (mm)	29.53 (750)	39.37 (1000)	15.75 (400)	25.98 (660)	35.83 (910)	13.98 (355)	57 lb 25.8 kg	BP43A	BP43S	BP43N	BP43G	25.60 x 35.45 (650 x 900)
SP4030DA (mm)	39.37 (1000)	29.53 (750)	15.75 (400)	35.83 (910)	25.98 (660)	13.98 (355)	57 lb 25.8 kg	BP43A	BP43S	BP43N	BP43G	35.34 x 25.60 (900 x 650)
SP4040DA (mm)	39.37 (1000)	39.37 (1000)	15.75 (400)	35.83 (910)	35.83 (910)	13.98 (355)	71 lb 32.1 kg	BP44A	BP44S	BP44N	BP44G	35.45 x 35.45 (900 x 900)
SP5030DA (mm)	49.21 (1250)	29.53 (750)	15.75 (400)	45.67 (1160)	25.98 (660)	13.98 (355)	70 lb 31.7 kg	BP53A	BP53S	BP53N	BP53G	45.25 x 25.60 (1150 x 650)
SP4050/2DA (mm)	39.37 (1000)	49.21 (1250)	15.75 (400)	35.83 (910)	45.67 (1160)	13.98 (355)	85 lb 38.5 kg	BP54A	BP54S	BP54N	BP54G	35.45 x 45.25 (900 x 1150)
SP5040/2DA (mm)	49.21 (1250)	39.37 (1000)	15.75 (400)	45.67 (1160)	35.83 (910)	13.98 (355)	85 lb 38.5 kg	BP54A	BP54S	BP54N	BP54G	45.25 x 35.45 (1150 x 900)

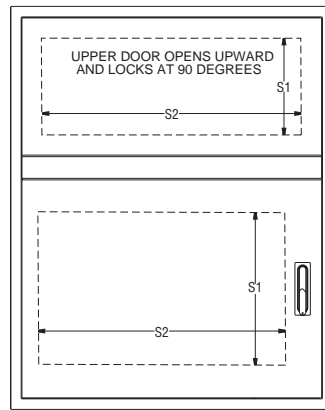
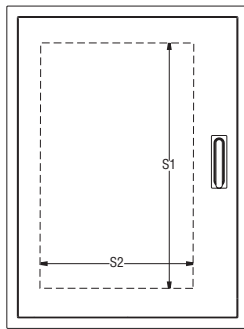
- * A aluminum back panel (.080" material thickness)
S painted steel back panel (special order; .060" material thickness)
N non-metallic back panel (.187" material thickness)
G galvanized steel back panel (.08" material thickness)

Replacement parts available. See page 191.

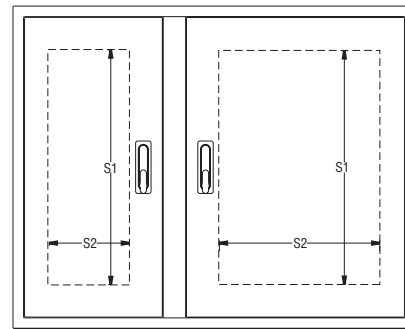


TYPE: SP5040/2A

TYPE: SP SINGLE DOOR



TYPE: SP4050/2A



SUPERPOLYREL

Catalog Number	Outside			Inside			Weight (Lbs.)	Wall Mounting				User Space	
	H	W	D	h	w	d		A	B	C	E	S1	S2
SP2030DA	19.68	29.52	15.74	16.12	26.00	13.98	38	18.11	31.10	27.95	21.2	20.0	9.00
	500	750	400	409	660	355		460	790	710	538	508	229
SP3020DA	29.52	19.68	15.74	26.00	16.12	13.98	38	27.95	21.25	18.11	31.1	11.0	18.5
	750	500	400	660	409	355		710	540	460	790	279	470
SP3030DA	29.52	29.52	15.74	26.00	26.00	13.98	49	27.95	31.10	27.95	31.1	20.0	18.5
	750	750	400	660	660	355		710	790	710	790	508	470
SP3040DA	29.52	39.37	15.74	26.00	35.75	13.98	57	27.95	40.94	39.79	31.1	30.0	18.5
	750	1000	400	660	908	355		710	1040	1011	790	762	470
SP4030DA	39.37	29.52	15.74	35.75	26.00	13.98	57	37.79	31.10	27.95	40.94	20.0	28.0
	1000	750	400	908	660	355		960	790	710	1040	508	711
SP4040DA	39.37	39.37	15.74	35.75	35.75	13.98	71	37.79	40.94	37.79	40.94	30.0	28.0
	1000	1000	400	908	908	355		960	1040	960	1040	762	711
SP5030DA	49.21	29.52	15.74	45.50	26.00	13.98	70	47.63	31.10	47.63	40.94	20.0	38.5
	1250	750	400	1156	660	355		1210	790	1210	1040	508	978
SP4050DA/2DA (L)	39.37	49.21	15.74	35.75	45.50	13.98	85	37.79	50.78	27.95	50.78	28.5	18.5
	1000	1250	400	908	1156	355		960	1290	710	1290	724	470
Right door (R)												32.0	15.0
												813	381
SP5040DA/2DA (T)	49.21	39.37	15.74	45.50	35.75	13.98	85	47.63	40.94	37.79	50.78	15.5	32.0
	1250	1000	400	1156	908	355		1210	1040	960	1290	394	813
Bottom door (B)												18.5	30.0
												470	762

NOTE: - Millimeters

FRP NEMA rating 3, 3R, 12 & 13 Superpolyrel with Bonded or Gasketed Polycarbonate Windows

Gasketed window standard

Bonded window also available. Includes (4) stainless steel mounting feet



FEATURES

- Designed for wall mounting and free standing units
- Can be coupled in height, width, and depth
- Lexan windows are .250" thick with a neoprene gasket
- Door has a single entry five-point latching system
- Available in pedestal version
- Temperature resistance -58°F to +302°F (-50°C to +150°C)
Momentary to +392°F (200°C)
- Bonded window maintains NEMA 4x

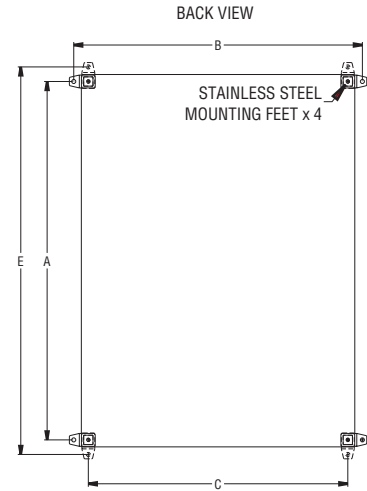
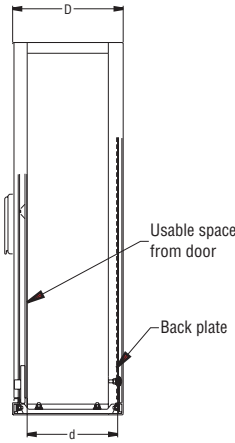
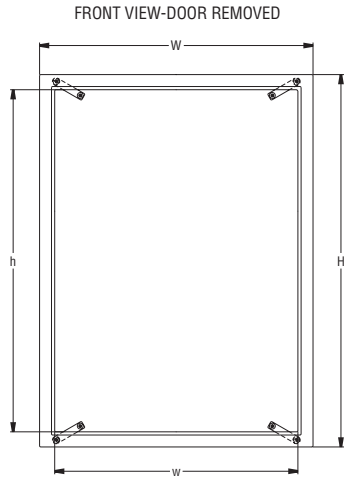
ACCESSORIES

- Key-lock cylinders and padlockable handles
- Adjustable mounting hardware
- Rainhoods
- Floorpads

SUPERPOLYREL

Part Number	Outside Dimensions			Inside Dimensions			Weight	Part Numbers Back Plates			Maximum Window Size
	H	W	D	h	w	d		Steel	Non-Metallic	Dimensions	
SPG2030A (mm)	19.69 (500)	29.53 (750)	11.81 (300)	16.14 (410)	25.98 (660)	10.24 (260)	35 lb 15.9 kg	BP32S	BP32N	15.75 x 25.60 (400 x 650)	7.70 x 13.35 (196 x 415)
SPG3020A (mm)	29.53 (750)	19.69 (500)	11.81 (300)	25.98 (660)	16.14 (410)	10.24 (260)	35 lb 15.9 kg	BP32S	BP32N	25.60 x 15.75 (650 x 400)	17.50 x 6.50 (445 x 165)
SPG3030A (mm)	29.53 (750)	29.53 (750)	11.81 (300)	25.98 (660)	25.98 (660)	10.24 (260)	43.7 lb 19.8 kg	BP33S	BP33N	25.60 x 25.60 (650 x 650)	17.50 x 16.35 (445 x 415)
SPG3040A (mm)	29.53 (750)	39.37 (1000)	11.81 (300)	25.98 (660)	35.83 (910)	10.24 (260)	52.3 lb 23.7 kg	BP43S	BP43N	25.60 x 35.45 (650 x 900)	16.35 x 27.4 (415 x 696)
SPG4030A (mm)	39.37 (1000)	29.53 (750)	11.81 (300)	35.83 (910)	25.98 (660)	10.24 (260)	52.3 lb 23.7 kg	BP43S	BP43N	35.34 x 25.60 (900 x 650)	27.40 x 16.35 (696 x 415)
SPG4040A (mm)	39.37 (1000)	39.37 (1000)	11.81 (300)	35.83 (910)	35.83 (910)	10.24 (260)	66 lb 29.9 kg	BP44S	BP44N	35.45 x 35.45 (900 x 900)	27.40 x 26.25 (696 x 667)
SPG5030A (mm)	49.21 (1250)	29.53 (750)	11.81 (300)	45.67 (1160)	25.98 (660)	10.24 (260)	65 lb 39.5 kg	BP53S	BP53N	45.25 x 25.60 (1150 x 650)	37.20 x 16.35 (945 x 415)
SPG4050/2A (mm)	39.37 (1000)	49.21 (1250)	11.81 (300)	35.83 (910)	45.67 (1160)	10.24 (260)	79 lb 35.8 kg	BP54S	BP54N	35.45 x 45.25 (900 x 1150)	
Left Door (mm)											31.20 x 13.00 (792 x 300)
Right Door (mm)											27.40 x 17.50 (696 x 445)
SPG5040/2A (mm)	49.21 (1250)	39.37 (1000)	11.81 (300)	45.67 (1160)	35.83 (910)	10.24 (260)	79 lb 35.8 kg	BP54S	BP54N	45.25 x 35.45 (1150 x 900)	
Top Door (mm)											13.00 x 30.00 (330 x 762)
Bottom Door (mm)											18.00 x 26.20 (445 x 665)

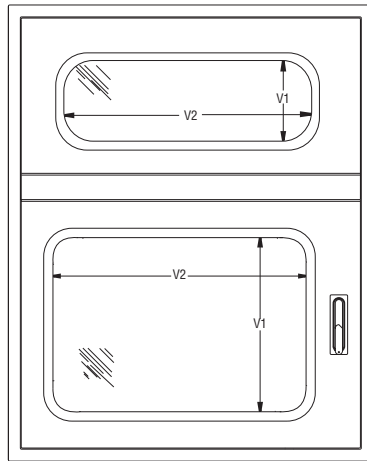
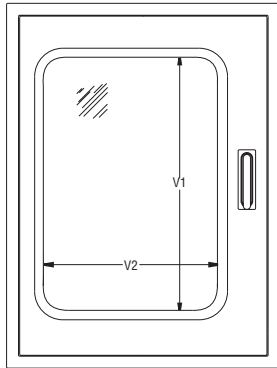
Replacement parts available. See page 191.



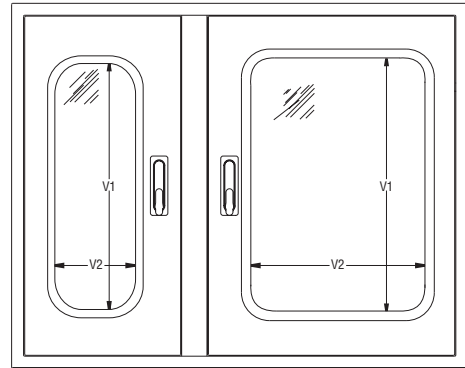
TYPE: SP5040/2A

UPPER DOOR OPENS UPWARD AND LOCKS AT 90 DEGREES

TYPE: SP SINGLE DOOR



TYPE: SP4050/2A



SUPERPOLYREL

Catalog Number	Outside			Inside			Weight (Lbs.)	Wall Mounting				Window	
	H	W	D	h	w	d		A	B	C	E	V1	V2
SPG2030A	19.68	29.52	11.81	16.12	26.00	10.25	35	18.11	31.10	27.95	21.2	7.70	13.35
	500	750	300	409	660	260		460	790	710	538	196	415
SPG3020A	29.52	19.68	11.81	26.00	16.12	10.25	35	27.95	21.25	18.11	31.1	17.5	6.50
	750	500	300	660	409	260		710	540	460	790	445	165
SPG3030A	29.52	29.52	11.81	26.00	26.00	10.25	45	27.95	31.10	27.95	31.1	17.5	16.35
	750	750	300	660	660	260		710	790	710	790	445	415
SPG3040A	29.52	39.37	11.81	26.00	35.75	10.25	53	27.95	40.94	39.79	31.1	16.35	27.4
	750	1000	300	660	908	260		710	1040	1011	790	415	696
SPG4030A	39.37	29.52	11.81	35.75	26.00	10.25	53	37.79	31.10	27.95	40.94	27.4	16.35
	1000	750	300	908	660	260		960	790	710	1040	696	415
SPG4040A	39.37	39.37	11.81	35.75	35.75	10.25	66	37.79	40.94	37.79	40.94	27.4	26.25
	1000	1000	300	908	908	260		960	1040	960	1040	696	667
SPG5030A	49.21	29.52	11.81	45.75	26.00	10.25	65	47.63	31.10	47.63	40.94	37.2	16.35
	1250	750	300	1162	660	260		1210	790	1210	1040	945	415
SPG4050A/2A (L)	39.37	49.21	11.81	35.75	45.60	10.25	79	37.79	50.78	27.95	50.78	31.2	13.0
	1000	1250	300	908	1156	260		960	1290	710	1290	792	330
Right door (R)												27.4	17.5
												696	445
SPG5040A/2A (T)	49.21	39.37	11.81	45.50	35.75	10.25	79	47.63	40.94	37.79	50.78	13.0	30.0
	1250	1000	300	1162	908	260		1210	1040	960	1290	330	762
Bottom door (B)												18.0	26.2
												445	665

NOTE: - Millimeters

FRP NEMA rating 3, 3R, 12 & 13 Superpolyrel with Bonded or Gasketed Polycarbonate Windows - Greater Depth Version

Gasketed window standard

Bonded window also available. Includes (4) stainless steel mounting feet



FEATURES

- Designed for wall mounting and free standing units
- Can be coupled in height, width, and depth
- Lexan windows are .250" thick with a neoprene gasket
- Door has a single entry five-point latching system
- Available in pedestal version
- Temperature resistance -58°F to +302°F (-50°C to +150°C)
Momentary to +392°F (200°C)
- Bonded window maintains NEMA 4x

ACCESSORIES

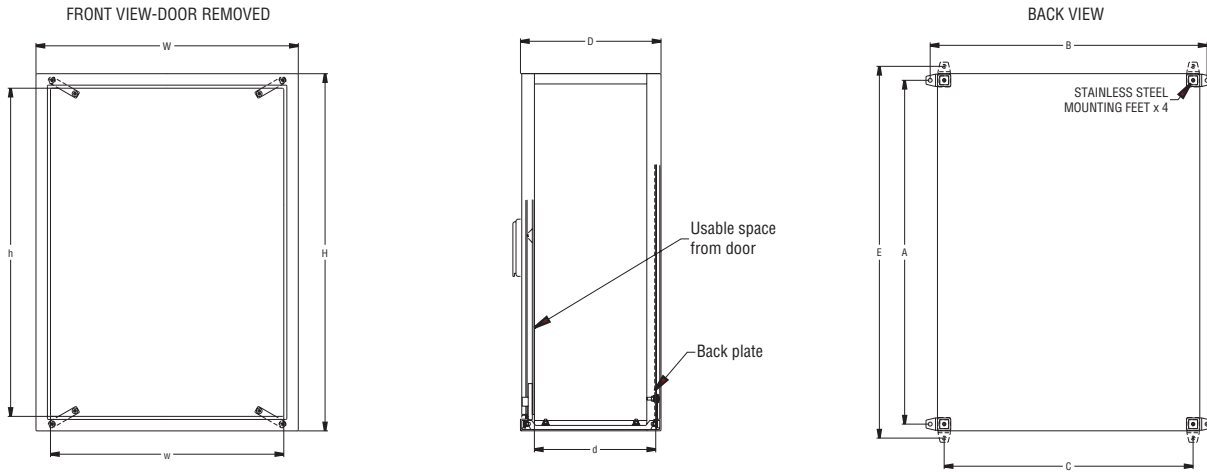
- Key-lock cylinders and padlockable handles
- Adjustable mounting hardware
- Rainhoods
- Floorpads

SUPERPOLYREL

Part Number	Outside Dimensions			Inside Dimensions			Weight	Part Numbers		Dimensions	Maximum Window Size
	H	W	D	h	w	d		Back Plates*			
SPG2030DA (mm)	19.69 (500)	29.53 (750)	15.75 (400)	16.14 (410)	25.98 (660)	13.98 (355)	38 lb 17.2 kg	BP32A BP32S BP32N BP32G	15.75 x 25.60 (400 x 650)	7.70 x 13.35 (196 x 415)	
SPG3020DA (mm)	29.53 (750)	19.69 (500)	15.75 (400)	25.98 (660)	16.14 (410)	13.98 (355)	38 lb 17.2 kg	BP32A BP32S BP32N BP32G	25.60 x 15.75 (650 x 400)	17.50 x 6.50 (445 x 165)	
SPG3030DA (mm)	29.53 (750)	29.53 (750)	15.75 (400)	25.98 (660)	25.98 (660)	13.98 (355)	49 lb 22.2 kg	BP33A BP33S BP33N BP33G	25.60 x 25.60 (650 x 650)	17.50 x 16.35 (445 x 415)	
SPG3040DA (mm)	29.53 (750)	39.37 (1000)	15.75 (400)	25.98 (660)	35.83 (910)	13.98 (355)	57 lb 25.8 kg	BP43A BP43S BP43N BP43G	25.60 x 35.45 (650 x 900)	16.35 x 27.4 (415 x 696)	
SPG4030DA (mm)	39.37 (1000)	29.53 (750)	15.75 (400)	35.83 (910)	25.98 (660)	13.98 (355)	57 lb 25.8 kg	BP43A BP43S BP43N BP43G	35.34 x 25.60 (900 x 650)	27.40 x 16.35 (696 x 415)	
SPG4040DA (mm)	39.37 (1000)	39.37 (1000)	15.75 (400)	35.83 (910)	35.83 (910)	13.98 (355)	71 lb 32.1 kg	BP44A BP44S BP44N BP44G	35.45 x 35.45 (900 x 900)	27.40 x 26.25 (696 x 667)	
SPG5030DA (mm)	49.21 (1250)	29.53 (750)	15.75 (400)	45.67 (1160)	25.98 (660)	13.98 (355)	70 lb 33.7 kg	BP53A BP53S BP53N BP53G	45.25 x 25.60 (1150 x 650)	37.20 x 16.35 (945 x 415)	
SPG4050/2DA (mm)	39.37 (1000)	49.21 (1250)	15.75 (400)	35.83 (910)	45.67 (1160)	13.98 (355)	85 lb 38.5 kg	BP54A BP54S BP54N BP54G	35.45 x 45.25 (900 x 1150)		
Left Door (mm)										31.20 x 13.00 (792 x 300)	
Right Door (mm)										27.40 x 17.50 (696 x 445)	
SPG5040/2DA (mm)	49.21 (1250)	39.37 (1000)	15.75 (400)	45.67 (1160)	35.83 (910)	13.98 (355)	85 lb 38.5 kg	BP54A BP54S BP54N BP54G	45.25 x 35.45 (1150 x 900)		
Top Door (mm)										13.00 x 30.00 (330 x 762)	
Bottom Door (mm)										18.00 x 26.20 (445 x 665)	

- * A aluminum back panel (.080" material thickness)
 S painted steel back panel (special order; .060" material thickness)
 N non-metallic back panel (.187" material thickness)
 G galvanized steel back panel (.08" material thickness)

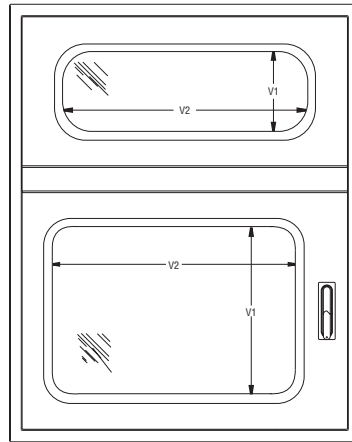
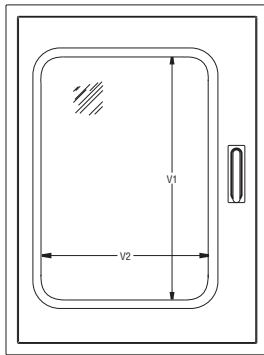
Replacement parts available. See page 191.



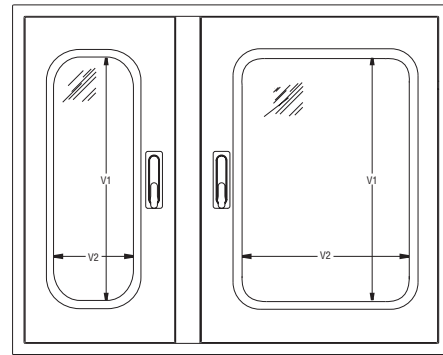
TYPE: SP5040/2A

UPPER DOOR OPENS UPWARD
AND LOCKS AT 90 DEGREES

TYPE: SP SINGLE DOOR



TYPE: SP4050/2A



SUPERPOLYREL

Catalog Number	Outside			Inside			Weight (Lbs.)	Wall Mounting				Window	
	H	W	D	h	w	d		A	B	C	E	V1	V2
SPG2030DA	19.68	29.52	15.74	16.12	26.00	13.98	38	18.11	31.10	27.95	21.2	7.70	13.35
	500	750	400	409	660	355		460	790	710	538	196	415
SPG3020DA	29.52	19.68	15.74	26.00	16.12	13.98	38	27.95	21.25	18.11	31.1	17.5	6.50
	750	500	400	660	409	355		710	540	460	790	445	165
SPG3030DA	29.52	29.52	15.74	26.00	26.00	13.98	49	27.95	31.10	27.95	31.1	17.5	16.35
	750	750	400	660	660	355		710	790	710	790	445	415
SPG3040DA	29.52	39.37	15.74	26.00	35.75	13.98	57	27.95	40.94	39.79	31.1	16.35	27.4
	750	1000	400	660	908	355		710	1040	1011	790	415	696
SPG4030DA	39.37	29.52	15.74	35.75	26.00	13.98	57	37.79	31.10	27.95	40.94	27.4	16.35
	1000	750	400	908	660	355		960	790	710	1040	696	415
SPG4040DA	39.37	39.37	15.74	35.75	35.75	13.98	71	37.79	40.94	37.79	40.94	27.4	26.25
	1000	1000	400	908	908	355		960	1040	960	1040	696	667
SPG5030DA	49.21	29.52	15.74	45.50	26.00	13.98	70	47.63	31.10	47.63	40.94	37.2	16.35
	1250	750	400	1156	660	355		1210	790	1210	1040	945	415
SPG4050DA/2DA (L)	39.37	49.21	15.74	35.75	45.50	13.98	85	37.79	50.78	27.95	50.78	31.2	13.0
	1000	1250	400	908	1156	355		960	1290	710	1290	792	330
Right door (R)												27.4	17.5
												696	445
SPG5040DA/2DA (T)	49.21	39.37	15.74	45.50	35.75	13.98	85	47.63	40.94	37.79	50.78	13.0	30.0
	1250	1000	400	1156	908	355		1210	1040	960	1290	330	762
Bottom door (B)												18.0	26.2
												445	665

NOTE: - Millimeters

FRP NEMA rating 3, 3R, 4, 4X, 12 & 13 enclosures Superpolyrel – Extended Depths

Depth must be in 12" or 16" increments for UL-listed enclosure



SUPERPOLYREL

Part Number	Outside			Inside		
	H	W	D	h	w	d
SP2030E1A (mm)	19.69 (500)	29.53 (750)	23.62 (600)	16.14 (410)	25.98 (660)	21.85 (555)
SP2030E2A (mm)	19.69 (500)	29.53 (750)	23.62 (600)	16.14 (410)	25.98 (660)	33.66 (855)
SP3020E1A (mm)	29.53 (750)	19.69 (500)	23.62 (600)	25.98 (660)	16.14 (410)	21.85 (555)
SP3020E2A (mm)	29.53 (750)	19.69 (500)	23.62 (600)	25.98 (660)	16.14 (410)	33.66 (855)
SP3030E1A (mm)	29.53 (750)	29.53 (750)	23.62 (600)	25.98 (660)	25.98 (660)	21.85 (555)
SP3030E2A (mm)	29.53 (750)	29.53 (750)	35.43 (900)	25.98 (660)	25.98 (660)	33.66 (855)
SP3040E1A (mm)	29.53 (750)	39.37 (1000)	23.62 (600)	25.98 (660)	35.83 (910)	21.85 (555)
SP3040E2A (mm)	29.53 (750)	39.37 (1000)	35.43 (900)	25.98 (660)	35.83 (910)	33.66 (855)
SP4030E1A (mm)	39.37 (1000)	29.53 (750)	23.62 (600)	35.83 (910)	25.98 (660)	21.85 (555)
SP4030E2A (mm)	39.37 (1000)	29.53 (750)	35.43 (900)	35.83 (910)	25.98 (660)	33.66 (855)
SP4040E1A (mm)	39.37 (1000)	39.37 (1000)	23.62 (600)	35.83 (910)	35.83 (910)	21.85 (555)
SP4040E2A (mm)	39.37 (1000)	39.37 (1000)	35.43 (900)	35.83 (910)	35.83 (910)	33.66 (855)
SP5030E1A (mm)	49.21 (1250)	29.53 (750)	23.62 (600)	45.67 (1160)	25.98 (660)	21.85 (555)
SP5030E2A (mm)	49.21 (1250)	29.53 (750)	35.43 (900)	45.67 (1160)	25.98 (660)	33.66 (855)
SP4050/2E1A** (mm)	39.37 (1000)	49.21 (1250)	23.62 (600)	35.83 (910)	45.67 (1160)	21.85 (555)
SP4050/2E2A** (mm)	39.37 (1000)	49.21 (1250)	35.43 (900)	35.83 (910)	45.67 (1160)	33.66 (855)
SP5040/2E1A** (mm)	49.21 (1250)	39.37 (1000)	23.62 (600)	45.67 (1160)	35.83 (910)	21.85 (555)
SP5040/2E2A** (mm)	49.21 (1250)	39.37 (1000)	35.43 (900)	45.67 (1160)	35.83 (910)	33.66 (855)

** Double Door enclosures are UL listed for NEMA 3, 3R, 12 & 13

Part Number	Outside			Inside		
	H	W	D	h	w	d
SP2030E1DA (mm)	19.69 (500)	29.53 (750)	31.50 (800)	16.14 (410)	25.98 (660)	29.72 (755)
SP2030E2DA (mm)	19.69 (500)	29.53 (750)	47.24 (1200)	16.14 (410)	25.98 (660)	45.47 (1155)
SP3020E1DA (mm)	29.53 (750)	19.69 (500)	31.50 (800)	25.98 (660)	16.14 (410)	29.72 (755)
SP3020E2DA (mm)	29.53 (750)	19.69 (500)	47.24 (1200)	25.98 (660)	16.14 (410)	45.47 (1155)
SP3030E1DA (mm)	29.53 (750)	29.53 (750)	31.50 (800)	25.98 (660)	25.98 (660)	29.72 (755)
SP3030E2DA (mm)	29.53 (750)	29.53 (750)	47.24 (1200)	25.98 (660)	25.98 (660)	45.47 (1155)
SP3040E1DA (mm)	29.53 (750)	39.37 (1000)	31.50 (800)	25.98 (660)	35.83 (910)	29.72 (755)
SP3040E2DA (mm)	29.53 (750)	39.37 (1000)	47.24 (1200)	25.98 (660)	35.83 (910)	45.47 (1155)
SP4030E1DA (mm)	39.37 (1000)	29.53 (750)	31.50 (800)	35.83 (910)	25.98 (660)	29.72 (755)
SP4030E2DA (mm)	39.37 (1000)	29.53 (750)	47.24 (1200)	35.83 (910)	25.98 (660)	45.47 (1155)
SP4040E1DA (mm)	39.37 (1000)	39.37 (1000)	31.50 (800)	35.83 (910)	35.83 (910)	29.72 (755)
SP4040E2DA (mm)	39.37 (1000)	39.37 (1000)	47.24 (1200)	35.83 (910)	35.83 (910)	45.47 (1155)
SP5030E1DA (mm)	49.21 (1250)	29.53 (750)	31.50 (800)	45.67 (1160)	25.98 (660)	29.72 (755)
SP5030E2DA (mm)	49.21 (1250)	29.53 (750)	47.24 (1200)	45.67 (1160)	25.98 (660)	45.47 (1155)
SP4050/2E1DA** (mm)	39.37 (1000)	49.21 (1250)	31.50 (800)	35.83 (910)	45.67 (1160)	29.72 (755)
SP4050/2E2DA** (mm)	39.37 (1000)	49.21 (1250)	47.24 (1200)	35.83 (910)	45.67 (1160)	45.47 (1155)
SP5040/2E1DA** (mm)	49.21 (1250)	39.37 (1000)	31.50 (800)	45.67 (1160)	35.83 (910)	29.72 (755)
SP5040/2E2DA** (mm)	49.21 (1250)	39.37 (1000)	47.24 (1200)	45.67 (1160)	35.83 (910)	45.47 (1155)

** Double Door enclosures are UL listed for NEMA 3, 3R, 12 & 13

SUPERPOLYREL ACCESSORIES

Locks - Profile half cylinder type 1.18, .20

KLC-SP

With 2 keys, V2432-E
For profile half cylinder types with
L>1.18, .20, please contact us



KLC-SQ8

With 1 square key, .31



KLC-T8

With 1 triangular key, .31



KLC-T11

With 1 triangular key, .43



KLC-DB3

With 1 double-bit key, .12



Handle

PLH-SP

For padlocking (max. Ø 39)
(10 mm)



NH-SP

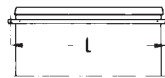
Neutral handle
for Superpolyrel



Wall brackets for wall mounting enclosures with rainhood

Mounting a cabinet with rainhood to a
wall requires the use of special set-off
brackets

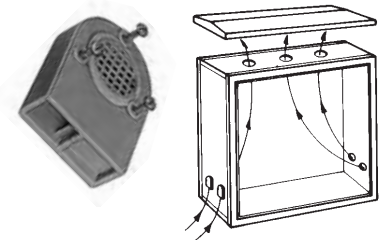
	Width of cabinet	L. max.
9-102	20	22.83
9-103	30	32.68
9-104	40	42.52
9-105	50	52.36



Mounting applications

Rainhoods

For extra depth or extra width, please
contact us



Four mounting points for securing
rainhood are marked off in top panel.
By drilling holes in the top panel and by
fitting air vents on the side panels, the
cabinet with rainhood will be efficiently
ventilated.

SUPERPOLYREL

Component Adjustable Mounting Hardware

Optional adjustable component mounting hardware which may be
used instead of or in conjunction with back plates for component
mounting and positioning. Adjustable hardware slots onto molded-
in-place studs on enclosure sides and consists of:

- 4 - Mounting brackets for affixing to enclosure side
- 2 - Vertical rails adjustable to 3 positions on brackets
- 4 - Toothed adjustable bars (adjustable vertically and horizontally on
vertical rails). Provides absolute flexibility in positioning
components. Select from table below

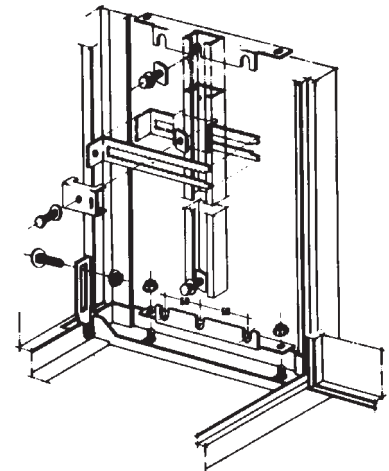
12" DEPTH

Enclosure height	Ordering Code
20"	70012.010
30"	70013.000
40"	70014.000*
50"	70015.000
Extra Adjustable Bars	70010.000

*for width 50" only 70014-010

16" DEPTH

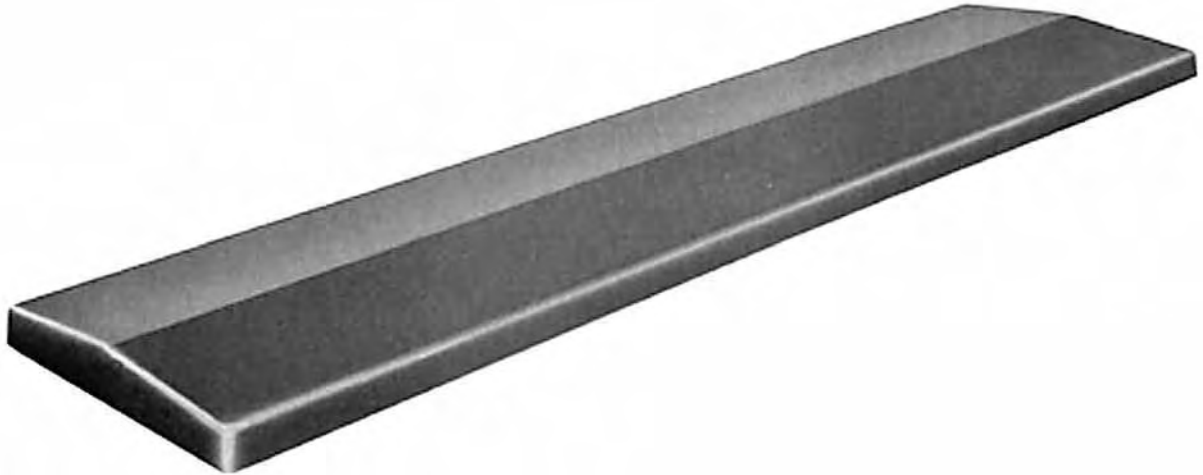
Enclosure height	Ordering Code
20"	70012.110D
30"	70013.100D
40"	70014.100D
50"	70015.100D



Superpolyrel Rainhoods

RAINHOODS

When specified for outdoor use, the cabinet should be protected at the top by a rainhood. The non-ventilated cabinet with rainhood has a protection degree IP55.

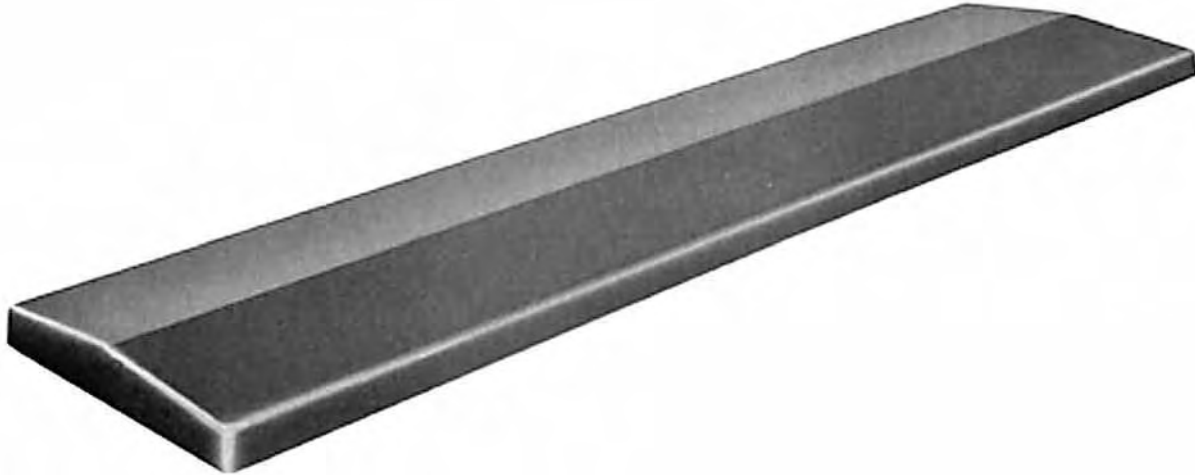


SUPERPOLYREL

Rainhood Part for 12" Depth	L	D	Wt.	Rainhood Part for 24" Depth	L	D	Wt.	Rainhood Part for 36" Depth	L	D	Wt.
RH3012 for SP2030A (mm)	30 (762)	12 (305)	25 lb 11.3 kg	RH3024 for SP2030E1A (mm)	30 (762)	24 (610)	50 lb 22.7 kg	RH3036 for SP2030E2A (mm)	30 (762)	36 (914)	74 lb 33.5 kg
RH2012 for SP3020A (mm)	20 (508)	12 (305)	21 lb 9.5 kg	RH2024 for SP3020E1A (mm)	20 (508)	24 (610)	43 lb 19.5 kg	RH2036 for SP3020E2A (mm)	20 (508)	36 (914)	64 lb 29 kg
RH3012 for SP3030A (mm)	30 (762)	12 (305)	25 lb 11.3 kg	RH3024 for SP3030E1A (mm)	30 (762)	24 (610)	50 lb 22.7 kg	RH3036 for SP3030E2A (mm)	30 (762)	36 (914)	74 lb 33.5 kg
RH4012 for SP3040A (mm)	40 (1016)	12 (305)	33 lb 15 kg	RH4024 for SP3040E1A (mm)	40 (1016)	24 (610)	66 lb 29.9 kg	RH4036 for SP3040E2A (mm)	40 (1016)	36 (914)	98 lb 44.4 kg
RH3012 for SP4030A (mm)	30 (762)	12 (305)	25 lb 11.3 kg	RH3024 for SP4030E1A (mm)	30 (762)	24 (610)	50 lb 22.7 kg	RH3036 for SP4030E2A (mm)	30 (762)	36 (914)	74 lb 33.5 kg
RH4012 for SP4040A (mm)	40 (1016)	12 (305)	33 lb 15 kg	RH4024 for SP4040E1A (mm)	40 (1016)	24 (610)	66 lb 29.9 kg	RH4036 for SP4040E2A (mm)	40 (1016)	36 (914)	98 lb 44.4 kg
RH3012 for SP5030A (mm)	30 (762)	12 (305)	25 lb 11.3 kg	RH3024 for SP5030E1A (mm)	30 (762)	24 (610)	50 lb 22.7 kg	RH3036 for SP5030E2A (mm)	30 (762)	36 (914)	74 lb 33.5 kg
RH5012 for SP4050/2A (mm)	50 (1270)	12 (305)	35 lb 15 kg	RH5024 for SP4050/2E1A (mm)	50 (1270)	24 (610)	71 lb 32.3 kg	RH5036 for SP4050/2E2A (mm)	50 (1016)	36 (914)	106 lb 48 kg
RH4012 for SP5040/2A (mm)	40 (1016)	12 (305)	33 lb 15 kg	RH4024 for SP5040/2E1A (mm)	40 (1016)	24 (610)	66 lb 29.9 kg	RH4036 for SP5040/2E2A (mm)	40 (1016)	36 (914)	98 lb 44.4 kg

SUPERPOLYREL ACCESSORIES
Superpolyrel Rainhoods - EXTRA DEPTH
RAINHOODS

When specified for outdoor use, the cabinet should be protected at the top by a rainhood. The non-ventilated cabinet with rainhood has a protection degree IP55.



SUPERPOLYREL

Rainhood Part for 16" Depth	L	D	Wt.	Rainhood Part for 32" Depth	L	D	Wt.	Rainhood Part for 48" Depth	L	D	Wt.
RH3016 for SP2030DA (mm)	30 (762)	16 (406)	34 lb 15 kg	RH3032 for SP2030E1DA (mm)	30 (762)	32 (813)	67 lb 30 kg	RH3048 for SP2030E2DA (mm)	30 (762)	48 (1219)	99 lb 45 kg
RH2016 for SP3020DA (mm)	20 (508)	16 (406)	28 lb 13 kg	RH2032 for SP3020E1DA (mm)	20 (508)	32 (813)	57 lb 26 kg	RH2048 for SP3020E2DA (mm)	20 (508)	48 (1219)	86 lb 39 kg
RH3016 for SP3030DA (mm)	30 (762)	16 (406)	34 lb 15 kg	RH3032 for SP3030E1DA (mm)	30 (762)	32 (813)	67 lb 30 kg	RH3048 for SP3030E2DA (mm)	30 (762)	48 (1219)	99 lb 45 kg
RH4016 for SP3040DA (mm)	40 (1016)	16 (406)	44 lb 20 kg	RH4032 for SP3040E1DA (mm)	40 (1016)	32 (813)	88 lb 40 kg	RH4048 for SP3040E2DA (mm)	40 (1016)	48 (1219)	131 lb 59 kg
RH3016 for SP4030DA (mm)	30 (762)	16 (406)	34 lb 15 kg	RH3032 for SP4030E1DA (mm)	30 (762)	32 (813)	67 lb 30 kg	RH3048 for SP4030E2DA (mm)	30 (762)	48 (1219)	99 lb 45 kg
RH4016 for SP4040DA (mm)	40 (1016)	16 (406)	44 lb 20 kg	RH4032 for SP4040E1DA (mm)	40 (1016)	32 (813)	88 lb 40 kg	RH4048 for SP4040E2DA (mm)	40 (1016)	48 (1219)	131 lb 59 kg
RH3016 for SP5030DA (mm)	30 (762)	16 (406)	34 lb 15 kg	RH3032 for SP5030E1DA (mm)	30 (762)	32 (813)	67 lb 30 kg	RH3048 for SP5030E2DA (mm)	30 (762)	48 (1219)	99 lb 45 kg
RH5016 for SP4050/2DA (mm)	50 (1016)	16 (406)	47 lb 21 kg	RH5032 for SP4050/2E1DA (mm)	50 (1270)	32 (813)	95 lb 43 kg	RH5048 for SP4050/2E2DA (mm)	50 (1016)	48 (1219)	142 lb 64 kg
RH4016 for SP5040/2DA (mm)	40 (1016)	16 (406)	44 lb 20 kg	RH4032 for SP5040/2E1DA (mm)	40 (1016)	32 (813)	88 lb 40 kg	RH4048 for SP5040/2E2DA (mm)	40 (1016)	48 (1219)	131 lb 59 kg

SUPERPOLYREL ACCESSORIES
Electronic Rack Hardware

For Enclosure	Order Code	Description
SP2030A	23-020	Pivoting Frame
	23-022	19" Rack Set
	23-024	Optional Front Plate
SP3030A	33-020	Pivoting Frame
	33-022	19" Rack Set
	33-024	Optional Front Plate
SP4030A	43-020	Pivoting Frame
	43-022	19" Rack Set
	43-024	Optional Front Plate
SP4040A	44-020	Pivoting Frame
	44-022	19" Rack Set
	44-024	Optional Front Plate
SP5030A ★NEW	53-020	Pivoting Frame
	53-022	19" Rack Set
	53-024	Optional Front Plate

Set of two square locks and keys for Pivoting Frame 70002.310
 19" rack set requires pivoting frame

*Please see page 72 for door configuration



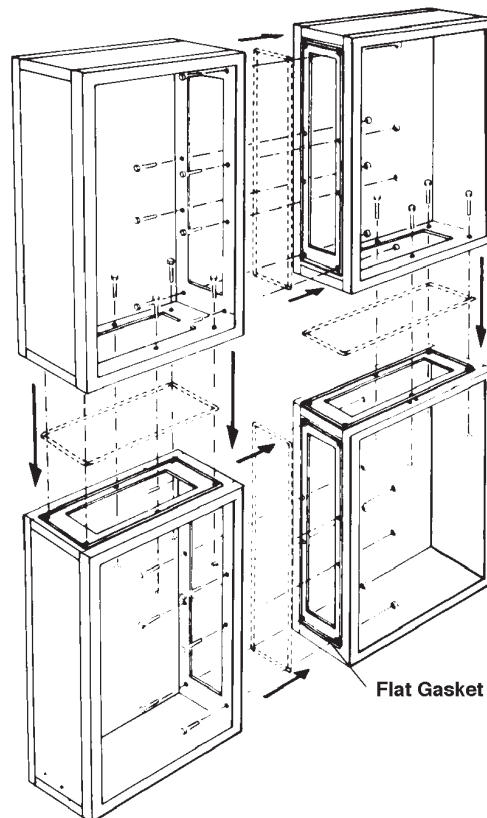
SUPERPOLYREL

Coupling Details
Horizontal Coupling

Interfacing side panels can be left in to give two separate compartments, or left out to give access between compartments.

Vertical Coupling

Interfacing top/bottom panels may have to be left in when coupling some enclosures, such as 30 x 20, 40 x 30, 50 x 40 and 50 x 30. In these instances, access between vertically coupled compartments can be obtained by making cutouts in the top/bottom panels.

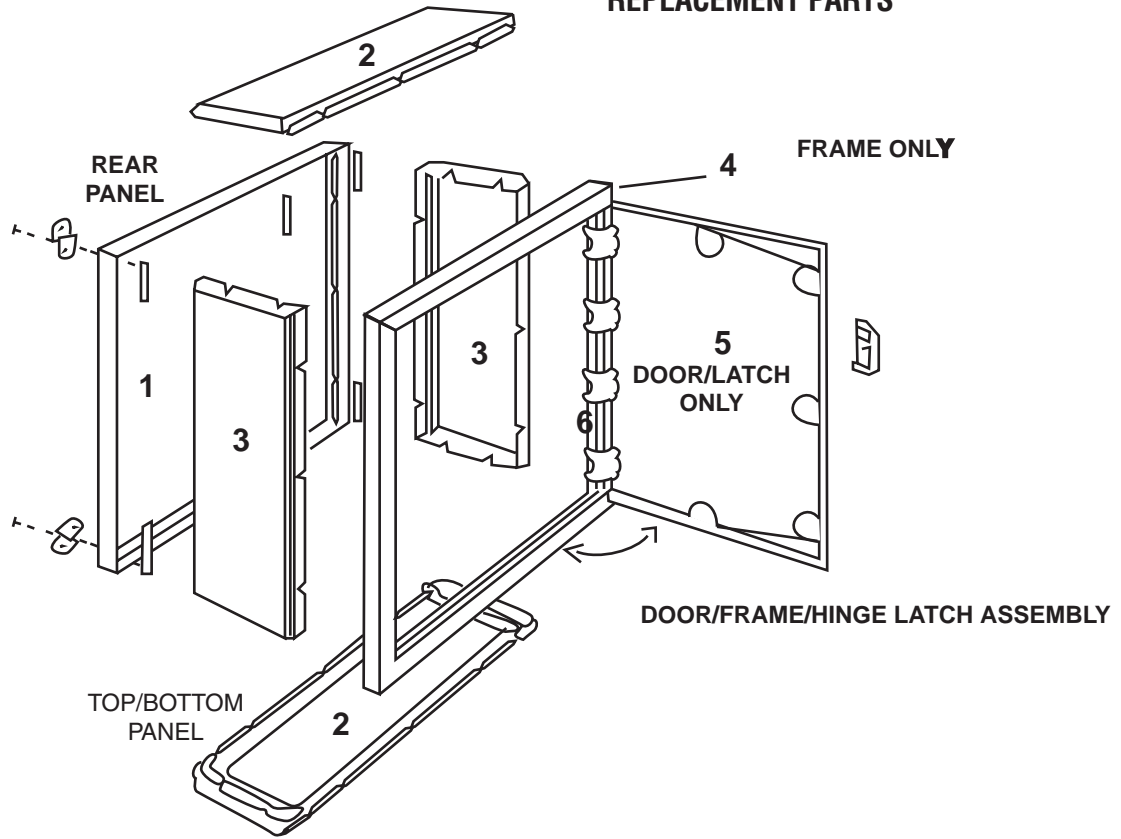


Maintains
UL Listing

Flat Gasket

SUPERPOLYREL ACCESSORIES

REPLACEMENT PARTS



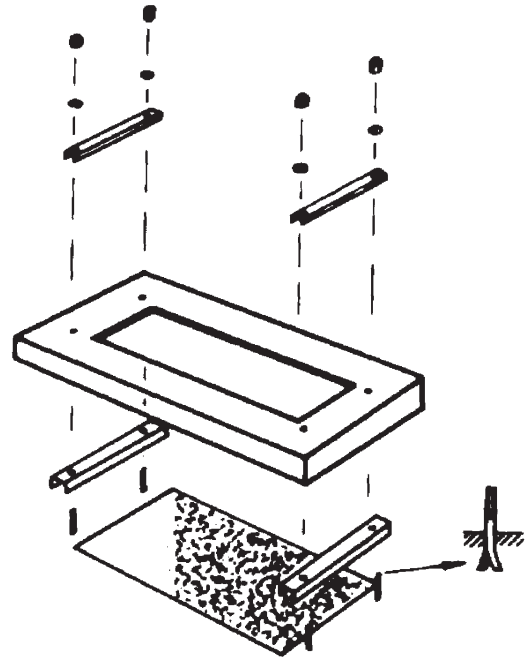
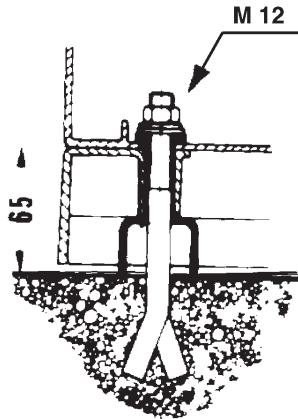
SUPERPOLYREL

Enclosure Size	Catalog Number	Part No.						Frame Gasket
		1	2	3	4	5	6	
20 x 30	SP2030A	70320.401	70033.114	70032.113	70230.232	70230.230	70230.300	70009.032
30 x 20	SP3020A	70320.401	70032.113	70033.114	70320.232	70320.230	70320.300	70009.032
30 x 30	SP3030A	70330.401	70033.113	70033.114	70330.232	70330.230	70330.300	70009.033
40 x 30	SP4030A	70430.401	70034.113	70034.114	70430.232	70430.230	70430.300	70009.043
30 x 40	SP3040A	70430.401	70034.113	70033.114	70430.232	70340.230	70340.300	70009.043
40 x 40	SP4040A	70440.401	70034.113	70034.114	70440.232	70440.230	70440.300	70009.044
40 x 40	SP4040/2A Double Door	70440.401	70034.113	70034.114	70440.232	70420.230 70240.241	70442.300	70009.044
40 x 50	SP4050/2A Double Door	70540.401	70035.114	70034.113	70452.232	70430.230 70240.241	70452.300	70009.045
50 x 30	SP5030A	70530.401	70033.113	70035.114	70530.232	70530.230	70530.300	70009.053
50 x 40	SP5040/2A Double Door	70540.401	70034.113	70035.114	70546.232	70340.230 70240.201	70546.300	70009.045

Superpolyrel Floor Mounting Pads

FLOOR MOUNTING PADS

Pads are in 12" increments of depth.
Enclosure and floor mounting pads are anchored together in the flooring.



Catalog Number	Floor Mounting Pad			Catalog No. 24" Deep	Floor Mounting Pads			Catalog No. 36" Deep	Floor Mounting Pads		
	L	W	D		L	W	D		L	W	D
SP2030A	30	12	2.5	SP2030E1A	30	24	2.5	SP2030E2A	30	36	2.5
FP30	750	305	65	FP30 (2 ea)	750	610	65	FP30 (3 ea)	750	915	65
SP3020A	20	12	2.5	SP3020E1A	20	24	2.5	SP3020E2A	20	36	2.5
FP20	508	305	65	FP20 (2 ea)	508	610	65	FP20 (3 ea)	508	915	65
SP3030A	30	12	2.5	SP3030E1A	30	24	2.5	SP3030E2A	30	36	2.5
FP30	750	305	65	FP30 (2 ea)	750	610	65	FP30 (3 ea)	750	915	65
SP3040A	40	12	2.5	SP3040E1A	40	24	2.5	SP3040E2A	40	36	2.5
FP40	1000	305	65	FP40 (2ea)	1000	610	65	FP40 (3 ea)	1000	915	65
SP4030A	30	12	2.5	SP4030E1A	30	24	2.5	SP4030E2A	30	36	2.5
FP30	750	305	65	FP30 (2 ea)	750	610	65	FP30 (3 ea)	750	915	65
SP4040A	40	12	2.5	SP4040E1A	40	24	2.5	SP4040E2A	40	36	2.5
FP40	1000	305	65	FP40 (2 ea)	1000	610	65	FP40 (3 ea)	1000	915	65
SP5030A	30	12	2.5	SP5030E1A	30	24	2.5	SP5030E2A	30	36	2.5
FP30	750	305	65	FP30 (2 ea)	750	610	65	FP30 (3 ea)	750	915	65
SP4050/2A	50	12	2.5	SP4050/2E1A	50	24	2.5	SP4050/2E2A	50	36	2.5
FP50	1270	305	65	FP50 (2 ea)	1270	610	65	FP50 (3 ea)	1270	915	65
SP5040/2A	40	12	2.5	SP5040/2E1A	40	24	2.5	SP5040/2E2A	40	36	2.5
FP40	1000	305	65	FP40 (2 ea)	1000	610	65	FP40 (3 ea)	1000	915	65

Standard floor mounting pads are 12 in width.

Two or three pads are used for horizontally coupled and extended depth enclosures.
Consult factory for 16 depth floor mounting pads.

NOTE: ■ - Millimeters