

## VMS

### Features

- Modular dimensions in increments of 4", from 12" x 8" to 24" x 16".
- Bases and end plates in fiberglass reinforced polycarbonate, with covers in polycarbonate.
- Covers transparent, opaque or DT cover, common design and depth.
- DT cover with double closure system: snap lock and additional fastening with thumb screws.
- Basic design incorporates removable side walls for easy access and wiring.
- Time saving coupling by means of vertical keys, sunk into the corner shafts, eliminating nuts, bolts and coupling frames.
- End plates, with or without openings, are snapped on from the outside and fixed by means of the vertical keys.
- Once mounted, end plates are flush with the side panels of the base.
- Depth extension frames provide additional 3".
- Accessories include mounting plates, DIN-rail mounting, fixing brackets, dead front cover plates with quarter turn fasteners.
- Temperature resistance: -58°F to +302°F (-50°C to +150°C), momentary +392°F (200°C)

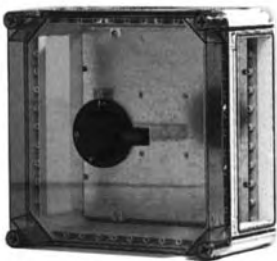
### Applications

Designed for use with panelboards, motor control centers and electronic instrumentation requiring high impact strength and IP65 rating.

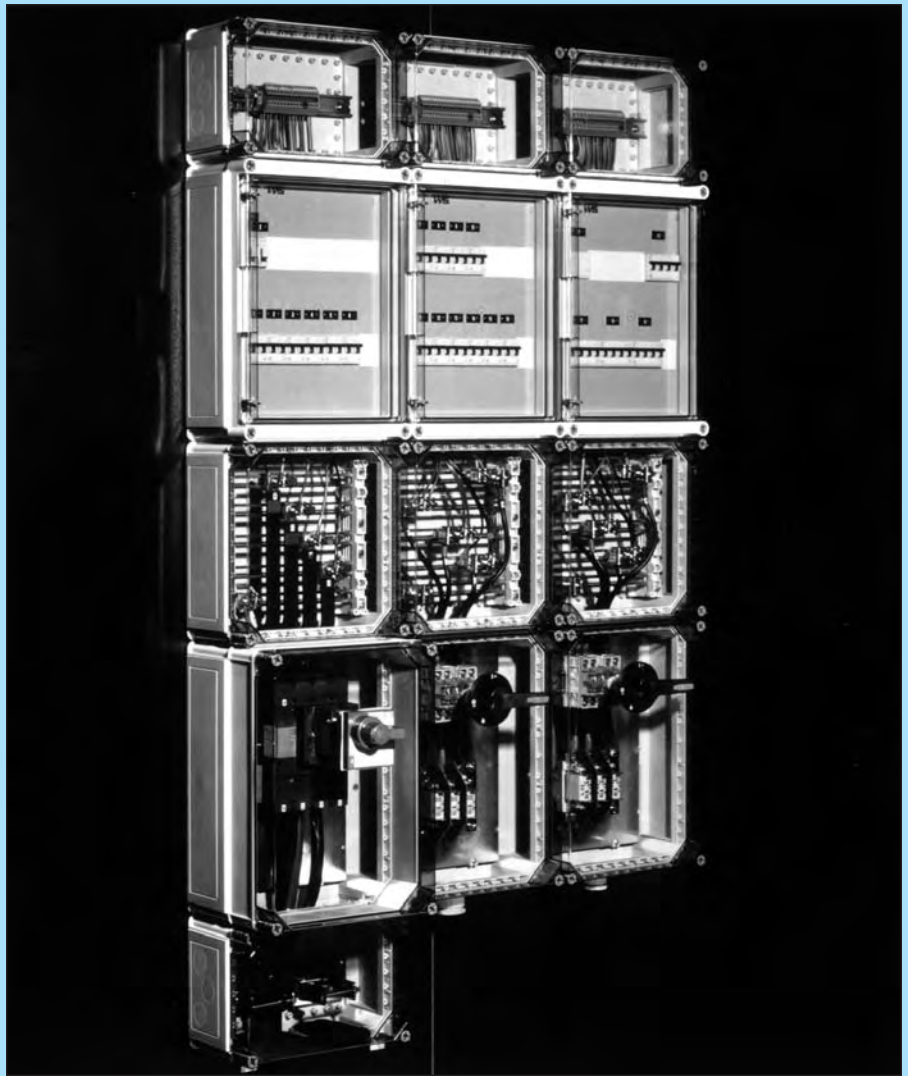
### Standards

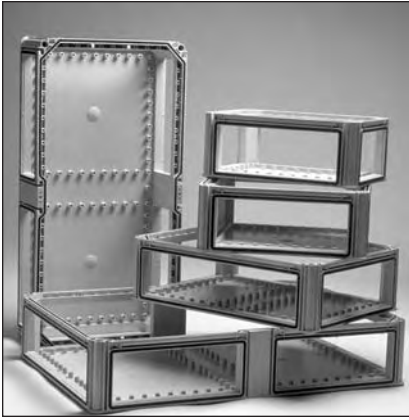
IEC 529 & IP65  
EN 60529

### Enclosures for loadbreak switches



### Enclosures with H.R.C. fuse plates





Modular dimensions in increments of 100 mm in height and width, available in five sizes:

320 x 220 mm	640 x 320 mm
320 x 320 mm	640 x 440 mm
440 x 320 mm	



Fixing points for accessories in increments of 25 mm in bottom plate and top end of the base.

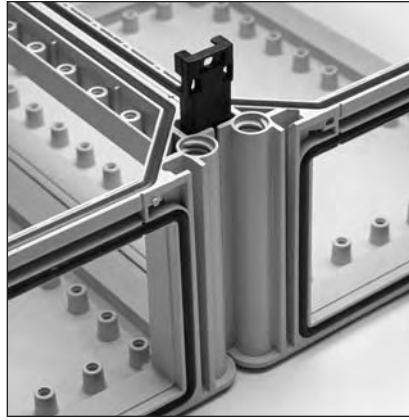
Captive integrated gaskets on bottom and side.

Large rectangular passage openings.



Hinged cover with double closure system:

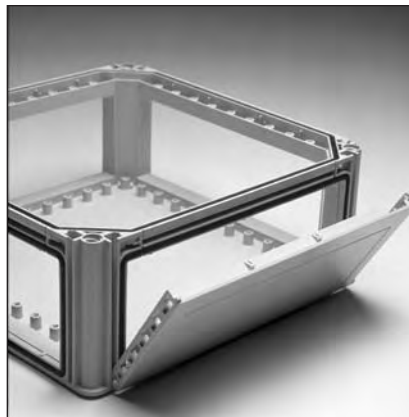
1. A snap lock
2. Additional fastening by means of two thumb screws



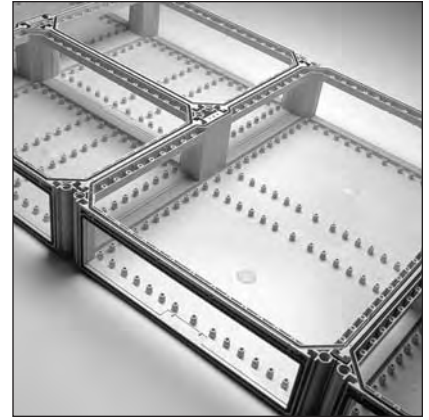
Time saving coupling by means of vertical keys sunk into the corner shafts.



Assorted covers: transparent, opaque, or hinged, common design and depth.



End plates, combi or blind, are snapped on from the outside and fixed by means of vertically sunk keys.



Excellent accessibility and wiring space for installation, mounting and cable connection, even after coupling.



Cover recess for self-adhesive total installation icon.

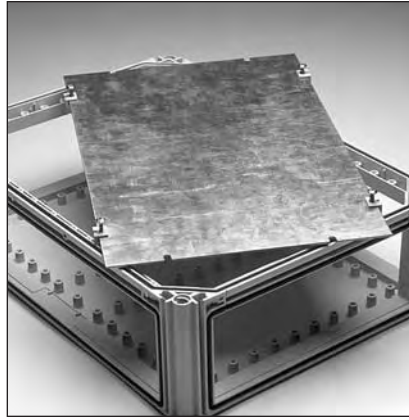


Once mounted, end plates fit perfectly flush with the side panels of the base.

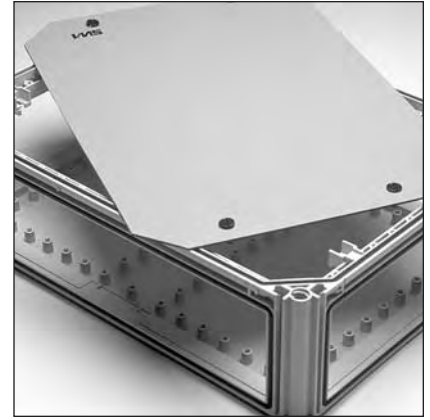




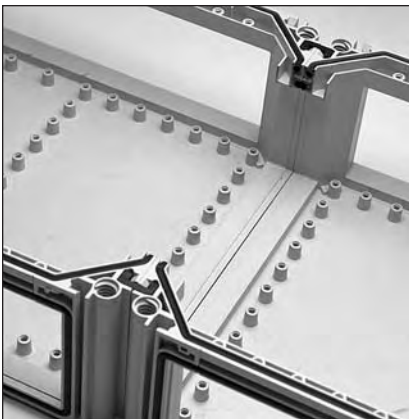
Depth extension frames offer additional mounting depth of 75 mm for each box type.



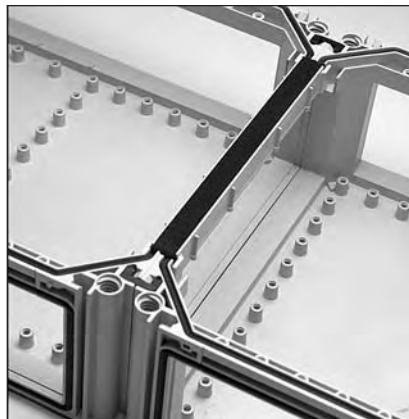
Rectangular mounting plates (2 mm in metal or 5 mm in laminated pertinax) with mounting set. Usable mounting depth is maximized and not dependent on plate thickness.



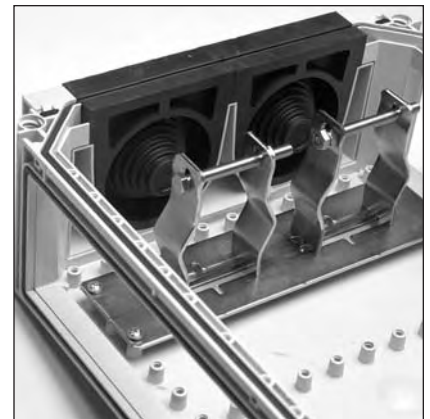
Plain cover plates with quarter-turn fasteners. Cover plates are fully supported by the base top frame.



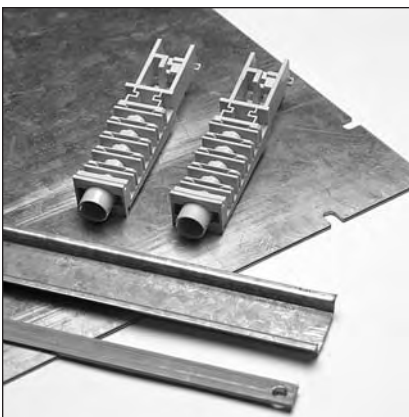
Bridges allow connection of heavy cables (320 and 440 mm sides).



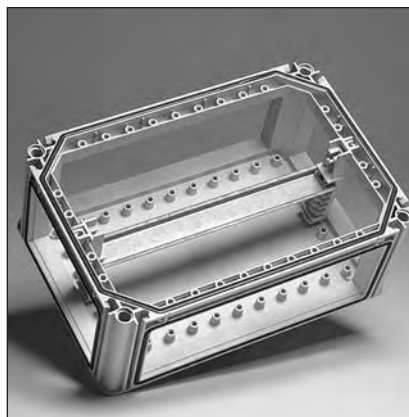
Bridges are inserted after connection of cables (320 and 440 mm sides).



Universal cable entries and stress relieving cable clamps for cables up to Ø 75 mm can be located in any base on side 300 mm (for two cables) or on side 400 mm (for three cables).



Adjustment of depth in five increments, for DIN-rails, mounting plates and mounting profiles 12 x 2 mm.



Universal support for screwless and depth adjustable installation of component rails. The support is simply clicked over the base.



Stainless steel fixing brackets featuring three optional positions: 0°, 45° and 90°.

## FRP NEMA 3, 3R, 4, 4X, 12 & 13 enclosures VMS with Opaque Cover

For hinged version add "H" to catalog number

Catalog Number	Outside			Inside			Mounting Plate Number	Panel		Non-Metallic Dead Front
	H	W	D	h	w	d		H	W	
VMS1208	12.60	8.66	7.04	5.91	9.84	5.78	*VMMP1208	6.3	10.2	VMDF1208
Weight 2.75 lbs.	320	220	179	150	250	147		160	259	
VMS1212	12.60	12.60	7.04	9.84	9.84	5.78	*VMMP1212	10.2	10.2	VMDF1212
Weight 3.5 lbs.	320	320	179	250	250	147		259	259	
VMS1612	17.32	12.60	7.04	14.57	9.84	5.78	*VMMP1612	15	10.2	VMDF1612
Weight 4.41 lbs.	440	320	179	370	250	147		381	259	
VMS2412	25.20	12.60	7.04	22.44	9.84	5.78	*VMMP2412	22.8	10.2	VMDF2412
Weight 6.56 lbs.	640	320	179	570	250	147		579	259	
VMS2416	25.20	17.32	7.04	22.44	14.57	5.78	*VMMP2416	22.8	15	VMDF2416
Weight 8.34 lbs.	640	440	179	570	370	147		579	381	

## FRP NEMA 3, 3R, 4, 4X, 12 & 13 enclosures VMS with Clear Cover

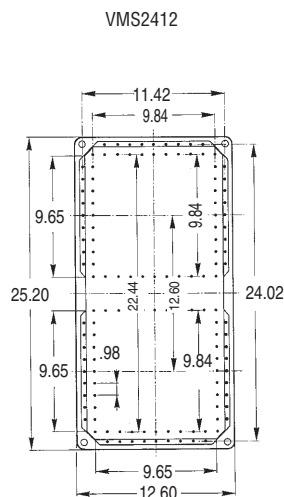
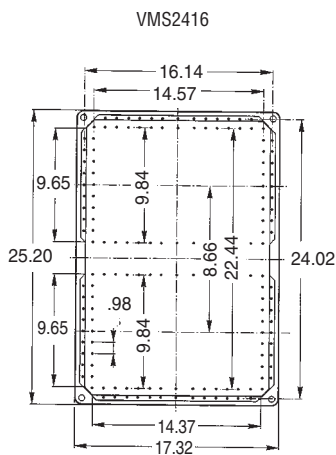
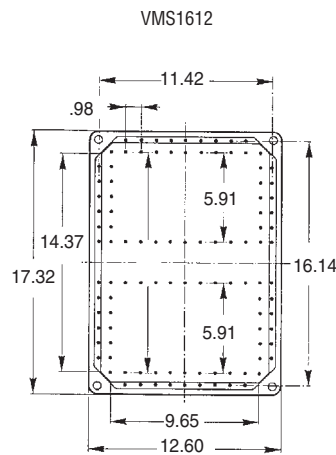
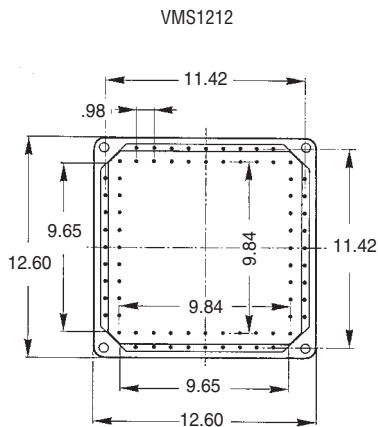
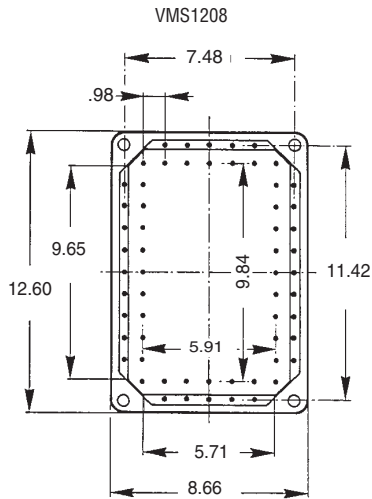
For hinged version add "H" to catalog number

Catalog Number	Outside			Inside			Mounting Plate Number	Panel		Non-Metallic Dead Front
	H	W	D	h	w	d		H	W	
VMS1208CT	12.60	8.66	7.04	5.91	9.84	5.78	*VMMP1208	6.3	10.2	VMDF1208
Weight 2.75 lbs.	320	220	179	150	250	147		160	259	
VMS1212CT	12.60	12.60	7.04	9.84	9.84	5.78	*VMMP1212	10.2	10.2	VMDF1212
Weight 3.5 lbs.	320	320	179	250	250	147		259	259	
VMS1612CT	17.32	12.60	7.04	14.57	9.84	5.78	*VMMP1612	15	10.2	VMDF1612
Weight 4.41 lbs.	440	320	179	370	250	147		381	259	
VMS2412CT	25.20	12.60	7.04	22.44	9.84	5.78	*VMMP2412	22.8	10.2	VMDF2412
Weight 6.56 lbs.	640	320	179	570	250	147		579	259	
VMS2416CT	25.20	17.32	7.04	22.44	14.57	5.78	*VMMP2416	22.8	15	VMDF2416
Weight 8.34 lbs.	640	440	179	570	370	147		579	381	

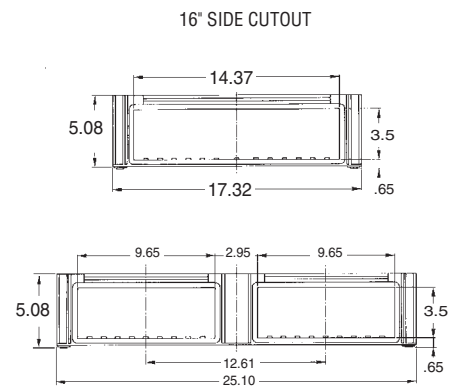
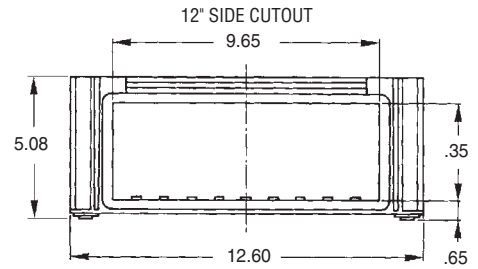
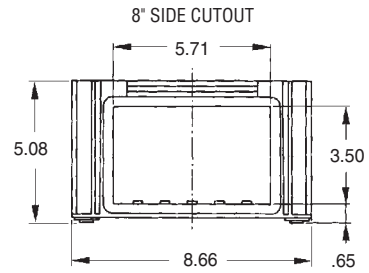
\*For galvanized steel use suffix "S" For non-metallic use suffix "N"

NOTE:  - Millimeters

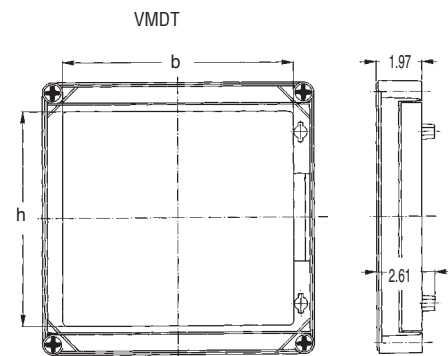
## Bases



## Openings in the base side walls



## Pivoting covers



Type	Dimensions	b	h
VMDT 1212	12.60 x 12.60	10.24	9.49
VMDT1612	17.32 x 12.60	10.24	14.21

VMS

## Polycarbonate Base for FRP NEMA rating 3, 3R, 4, 4X, 12 & 13 enclosures

Catalog Number	h	Inside w	d	Weight (lbs.)
VMB1208	12.60 320	8.66 220	5.12 130	1.96
VMB1212	12.60 320	12.60 320	5.12 130	2.41
VMB1612	17.32 440	12.60 320	5.12 130	2.98
VMB2412	25.20 640	12.60 32	5.12 130	4.10
VMB2416	25.20 640	17.32 440	5.12 130	5.17



## Polycarbonate Covers for FRP NEMA rating 3, 3R, 4, 4X, 12 & 13 enclosures

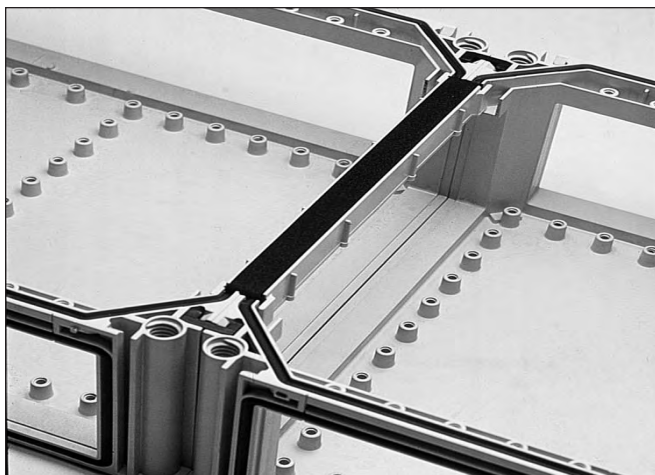
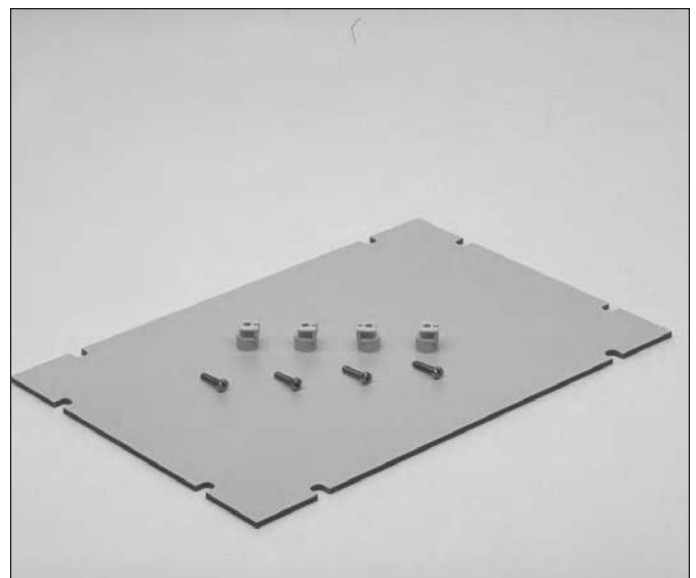
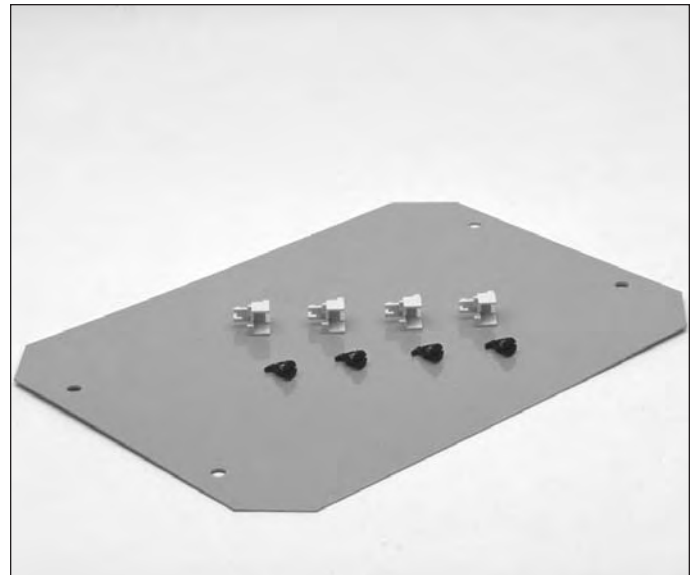
Catalog Number	h	Inside w	d	Weight (lbs.)
<b>CLEAR COVER</b>				
VMCT1208	12.60 320	8.66 220	1.97 50	.80
VMCT1212	12.60 320	12.60 320	1.97 50	1.09
VMCT1612	17.32 440	12.60 320	1.97 50	1.43
VMCT2412	25.20 640	12.60 320	1.97 50	2.46
VMCT2416	25.20 640	17.32 440	1.97 50	3.17
<b>OPAQUE COVER</b>				
VMCG1208	12.60 320	8.66 220	1.97 50	.80
VMCG1212	12.60 320	12.60 320	1.97 50	1.09
VMCG1612	17.32 440	12.60 320	1.97 50	1.43
VMCG2412	25.20 640	12.60 320	1.97 50	2.46
VMCG2416	25.20 640	17.32 440	1.97 50	3.17
<b>HINGED TRANSPARENT DOOR IN COVER (DT STYLE)</b>				
VMDT1212	12.60 320	12.60 320	1.97 50	1.09
VMDT1612	17.32 440	12.60 320	1.97 50	1.43



NOTE:  - Millimeters

**VMS ACCESSORIES**
**Accessories for FRP NEMA rating 3, 3R, 4, 4X, 12 & 13 enclosures**

Catalog Number	h	Inside w	d
<b>EXTENSION FRAME w/ FIXING SCREWS</b>			
VMEF1208	12.60	8.66	2.95
	320	220	75
VMEF1212	12.60	12.60	2.95
	320	320	75
VMEF1612	17.32	12.60	2.95
	440	320	75
VMEF2412	25.20	12.60	2.95
	640	320	75
VMEF2416	25.20	17.32	3.00
	640	440	75
<b>PLAIN NON-METALLIC COVER PLATE</b>			
VMDF1208	11.85	7.91	
	301	201	
VMDF1212	11.85	11.85	
	301	301	
VMDF1612	16.57	11.85	
	421	301	
VMDF2412	24.45	11.85	
	621	301	
VMDF2416	24.45	16.57	
	621	421	
<b>GALVANIZED STEEL MOUNTING PLATE</b>			
VMMP1208S	10.24	6.30	
	260	160	
VMMP1212S	10.24	10.24	
	260	260	
VMMP1612S	14.96	10.24	
	380	260	
VMMP2412S	22.83	6.30	
	580	160	
VMMP2416S	22.83	14.96	
	580	380	



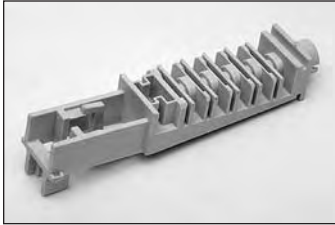


**VMS ACCESSORIES**

**Universal support**

To fit:

- mounting plates (metal or synthetic)
- cover plates
- copper rail 15 x 3
- copper rail 9 x 6.5
- mounting rail 12 x 2 mm

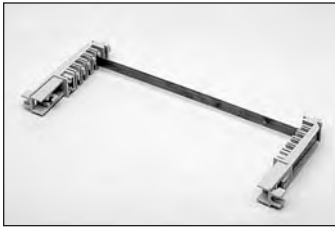


**VMUS**

**Symmetrical DIN-profiles**

Always supplied with two universal supports

1	<b>VMDP08</b>	220
1	<b>VMDP12</b>	320
1	<b>VMDP16</b>	440



**Mounting rail 12 x 2 mm**

To fit connection terminal blocks

Always supplied with two universal supports

1	<b>VMMR08</b>	220
1	<b>VMMR12</b>	320
1	<b>VMMR16</b>	440



**Partition plates**

For full compartmentalization of coupled bases

1	<b>VMPP08</b>	220
1	<b>VMPP12</b>	320
1	<b>VMPP16</b>	440



**Fixing brackets**

- Stainless steel
- For external fixing points
- Direct fitting through the corner shafts of the base
- To be installed prior to extension frame or hinge installation
- Three optional mounting positions (0°, 45°, 90°)



**VMMB**

Set of four brackets with screws

**Air vent**

Install two air vents per enclosure to allow ventilation to prevent condensation.

**SEDV**

Set of 2 pieces.



**Hinge**

Base must be fixed prior to hinge installation

**VMSH**

Set of 2 pieces.



**Wingnut**

For cover screw or hinge

**VMTG**

Set of 4 pieces.



**Self-tapping screws**

For fixation in the base

**VM513**

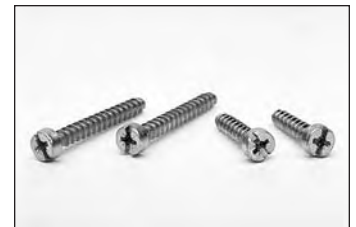
5 x 13 mm

**VM516**

5 x 16 mm

**VM522**

5 x 22 mm



To fasten components to metallic mounting plates

**VM616**

6 x 16 mm

**VM622**

6 x 22 mm





**VMS ACCESSORIES**
**End plates**

Blind end plates

<b>VMEP08</b>	220
<b>VMEP12</b>	320
<b>VMEP16</b>	440


**Combi end plates**

<b>VMEP08K3</b>	220	3 x PG 29
<b>VMEP08K5</b>	220	1 x PG42 + 4 x PG16
<b>VMEP12K6</b>	320	6 x PG29
<b>VMEP12K7</b>	320	3 x PG42 + 4 x PG16
<b>VMEP12K22</b>	320	22 x PG13.5
<b>VMEP12K10</b>	320	4 x PG29 + 2 x PG21 + 4 x PG16
<b>VMEP12K16</b>	320	16 x PG16
<b>VMEP12K12</b>	320	8 x PG21 + 4 x PG16
<b>VMEP16K26</b>	440	26 x PG16
<b>VMEP16K14</b>	440	4 x PG29 + 4 x PG21 + 6 x PG16


**Cable entries**

<b>VMCAE12</b>	320	Ø max. of cable: 2 x 75 mm
<b>VMCAE16</b>	440	Ø max. of cable: 3 x 75 mm


**Cable stress release**

With one clamp (Ø max. of cable: 75 mm)

<b>VMCAS12</b>	320
<b>VMCAS16</b>	440


**Cable clamp**

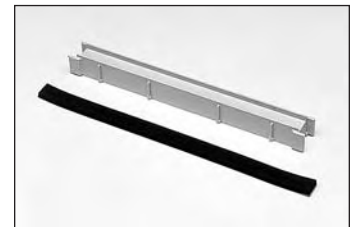
 To mount on cable stress release  
 (Ø max. of cable: 75 mm)

**VMCAC**

**Bridges**

For large cross-section cables

<b>VMBR12</b>	320
<b>VMBR16</b>	440

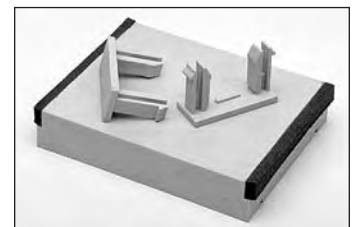

**Coupling key**

For base coupling

**VMCK**

**Coupling sets**

 To couple 2 sides of 220 mm to one side of 440 mm  
 With mounting accessories

**VMCS**

**Coupling clamp**

For coupling in special cases

**VMCOC**